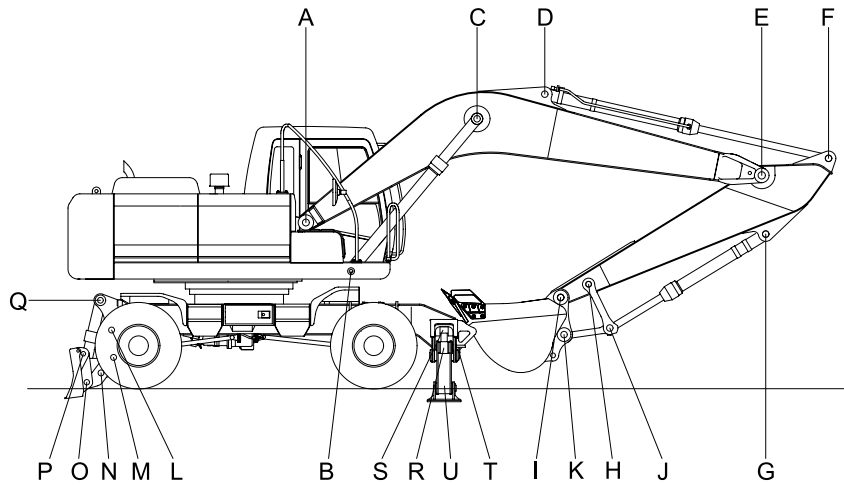


## GROUP 3 TRACK AND WORK EQUIPMENT



20W77MS10

Unit : mm

Mark	Measuring point (Pin and bushing)	Normal value	Pin		Bushing		Remedy & Remark
			Recomm. service limit	Limit of use	Recomm. service limit	Limit of use	
A	Boom rear	90	89	88.5	90.5	91	Replace
B	Boom cylinder head	80	79	78.5	80.5	81	"
C	Boom cylinder rod	80	79	78.5	80.5	81	"
D	Arm cylinder head	80	79	78.5	80.5	81	"
E	Boom front	90	89	88.5	90.5	91	"
F	Arm cylinder rod	80	79	78.5	80.5	81	"
G	Bucket cylinder head	80	79	78.5	80.5	81	"
H	Arm link	70	69	68.5	70.5	71	"
I	Bucket and arm link	80	79	78.5	80.5	81	"
J	Bucket cylinder rod	80	79	78.5	80.5	81	"
K	Bucket link	80	79	78.5	80.5	81	"
L	Dozer link(B)	70	69	68.5	70.5	71	"
M	Dozer link(A)	70	69	68.5	70.5	71	"
N	Dozer cylinder rod	70	69	68.5	70.5	71	"
O	Dozer link(A)	70	69	68.5	70.5	71	"
P	Dozer link(B)	70	69	68.5	70.5	71	"
Q	Dozer cylinder head	70	69	68.5	70.5	71	"
R	Outrigger cylinder head	80	79	78.5	80.5	81	"
S	Outrigger cylinder rod	80	79	78.5	80.5	81	"
T	Outrigger cylinder leg	80	79	78.5	80.5	81	"
U	Outrigger cylinder foot	80	79	78.5	80.5	81	"