

## SECTION 5 MECHATRONICS SYSTEM

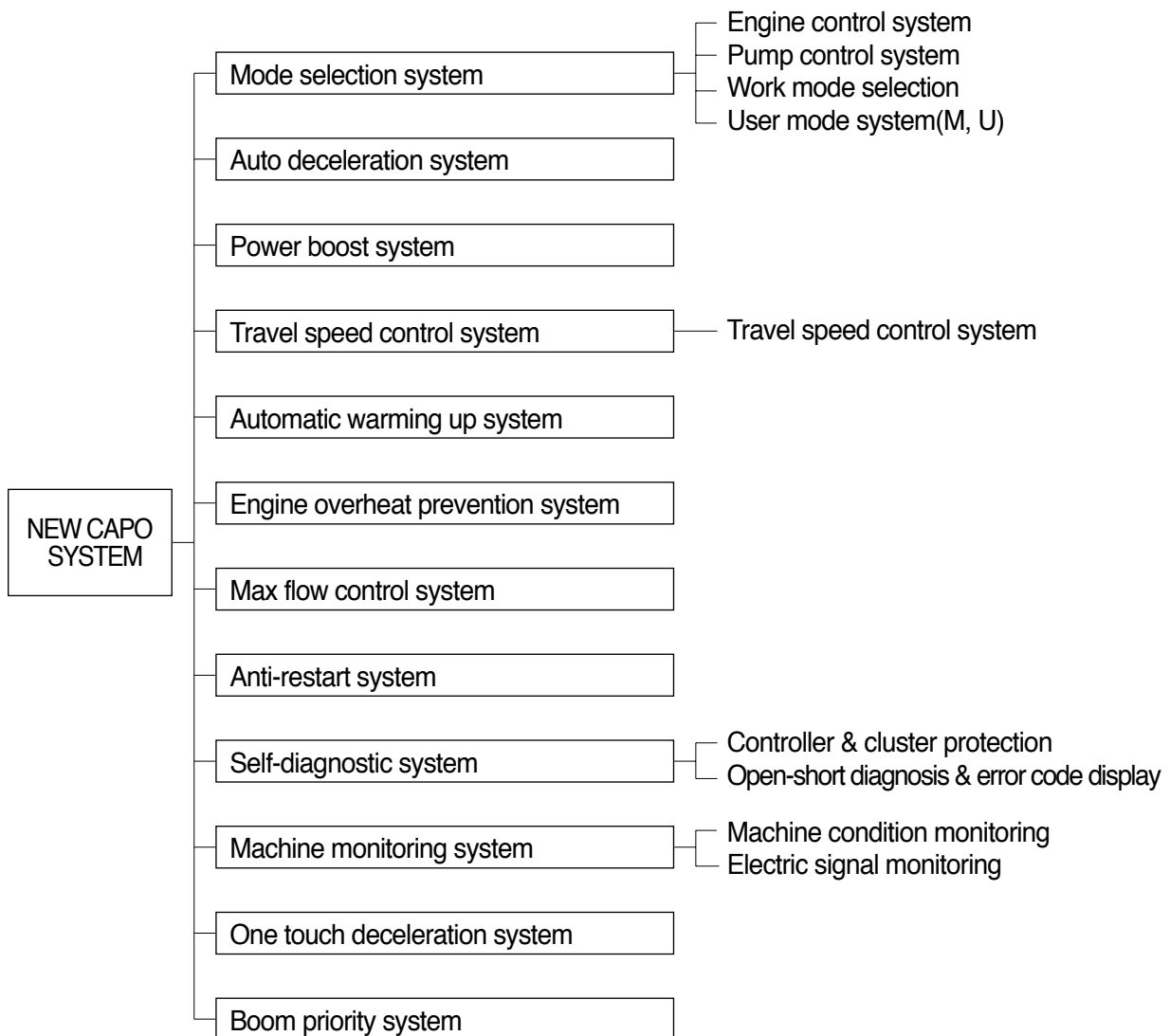
|   |      |
|---|------|
| Group 1 Outline   | 5-1  |
| Group 2 Mode Selection System                               | 5-3  |
| Group 3 Automatic Deceleration System                       | 5-6  |
| Group 4 Power Boost System                                  | 5-7  |
| Group 5 Travel Speed Control System                         | 5-8  |
| Group 6 Automatic Warming Up Function                       | 5-9  |
| Group 7 Engine Overheat Prevention Function                 | 5-10 |
| Group 8 Anti-Restart System                                 | 5-11 |
| Group 9 Self-Diagnostic System                              | 5-12 |
| Group 10 Engine Control System                              | 5-15 |
| Group 11 EPPR(Electro Proportional Pressure Reducing) Valve | 5-22 |
| Group 12 Monitoring System                                  | 5-25 |

# SECTION 5 MECHATRONICS SYSTEM

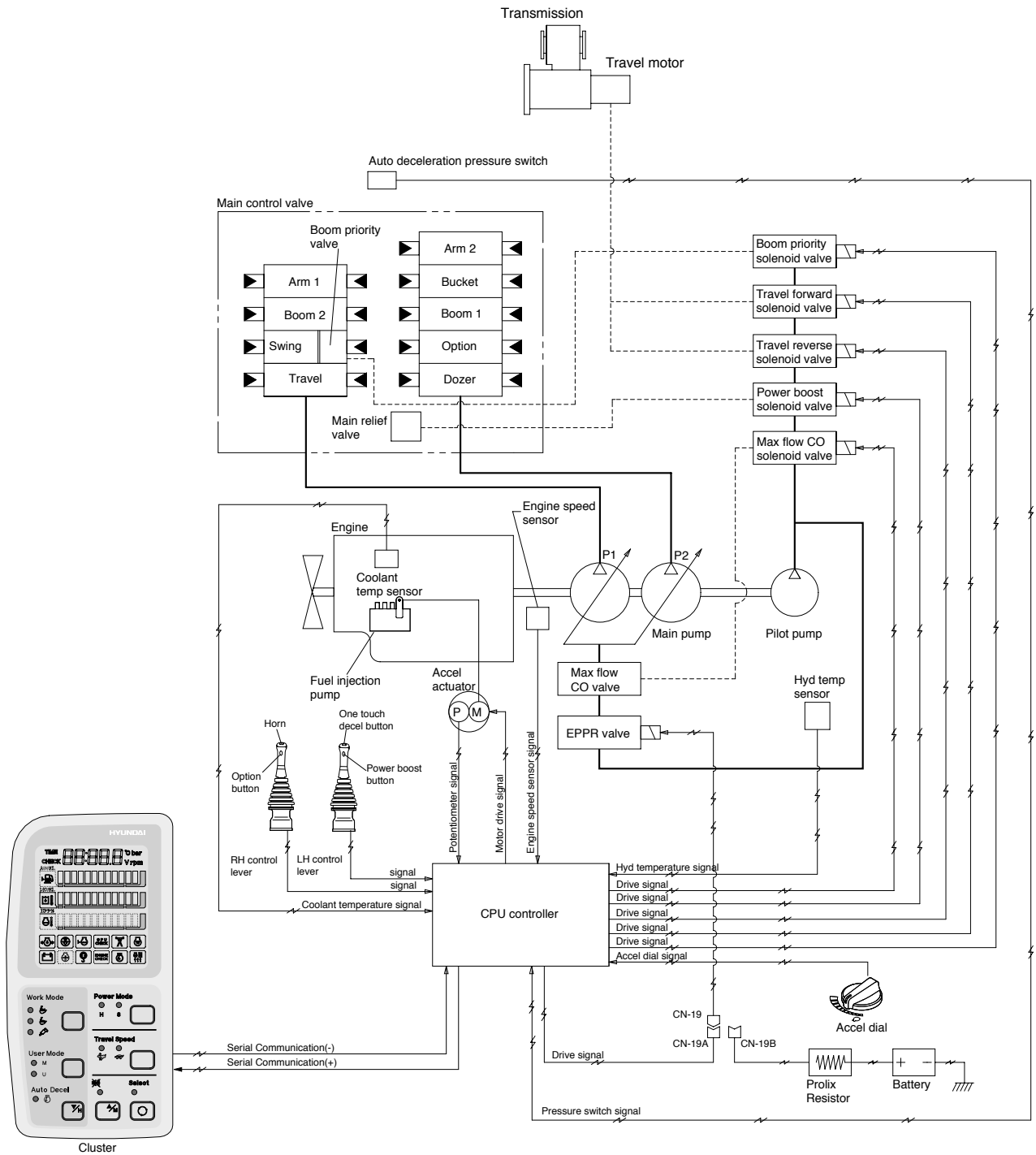
## GROUP 1 OUTLINE

The NEW CAPO(Computer Aided Power Optimization) system controls engine and pump mutual power at an optimum and less fuel consuming state for the selected work by mode selection, auto-deceleration, power boost function, etc. It monitors machine conditions, for instance, engine speed, coolant temperature, hydraulic oil temperature, and hydraulic oil pressure, etc.

It consists of a CPU controller, a cluster, an accel actuator, an EPPR valve, and other components. The CPU controller and the cluster protect themselves from over-current and high voltage input, and diagnose malfunctions caused by short or open circuit in electric system, and display error codes on the cluster.



# SYSTEM DIAGRAM



20W75MS01