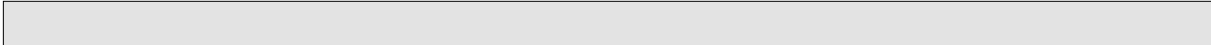
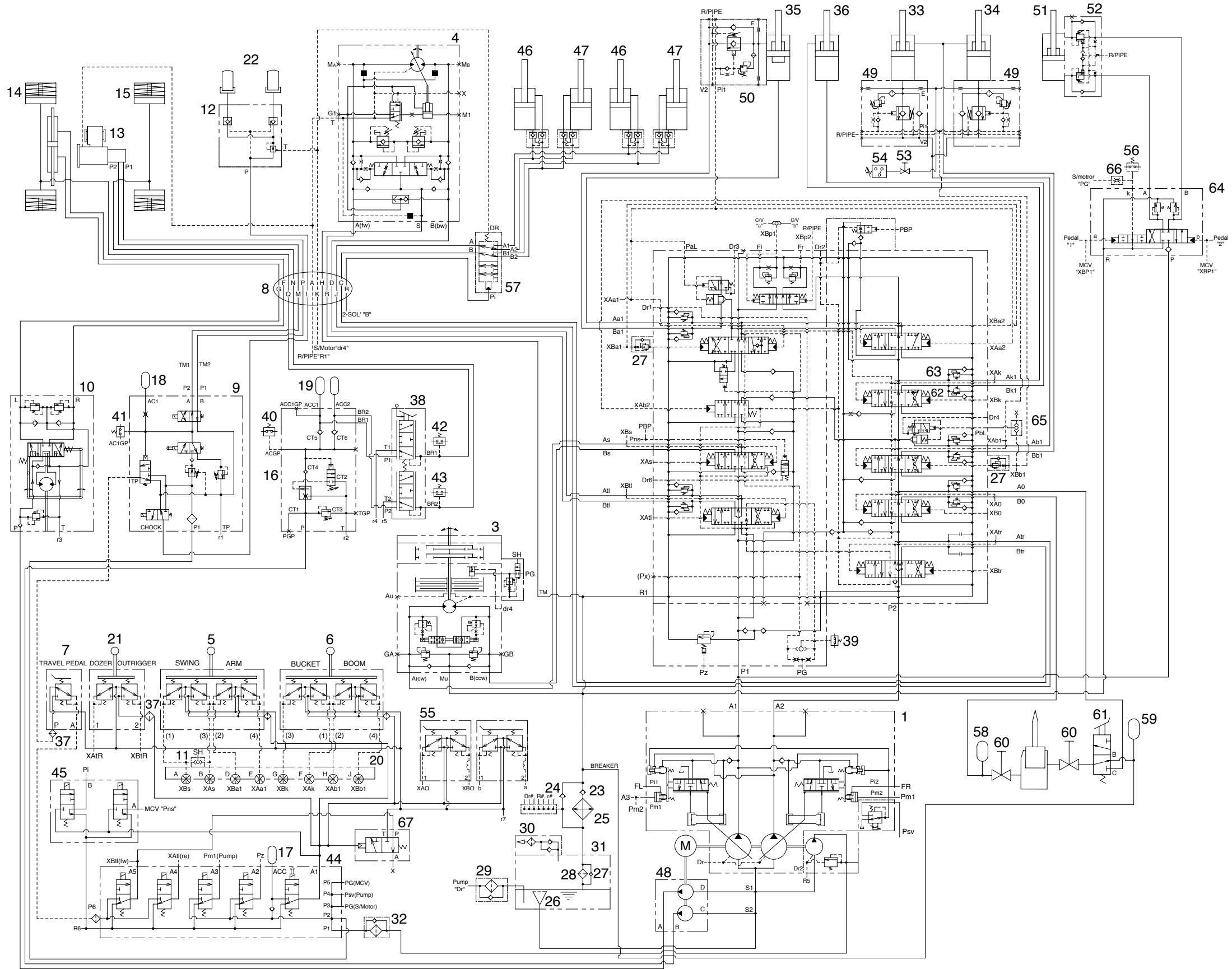


SECTION 3 HYDRAULIC SYSTEM



- Group 1 Hydraulic Circuit ----- 3-1
- Group 2 Main Circuit ----- 3-2
- Group 3 Pilot Circuit ----- 3-5
- Group 4 Single Operation ----- 3-13
- Group 5 Combined Operation ----- 3-30

GROUP 1 HYDRAULIC CIRCUIT



- 1 Main pump
- 2 Main control valve
- 3 Swing motor
- 4 Travel motor
- 5 RCV lever(LH)
- 6 RCV lever(RH)
- 7 RCV pedal
- 8 Turning joint
- 9 Transmission control valve
- 10 Steering valve
- 11 Shuttle valve
- 12 Locking valve
- 13 Transmission
- 14 Front axle
- 15 Rear axle
- 16 Brake supply valve
- 17 Accumulator
- 18 Accumulator
- 19 Accumulator
- 20 Terminal assy
- 21 RCV dozer
- 22 Oscillating cylinder
- 23 Check valve
- 24 Check valve
- 25 Oil cooler
- 26 Strainer assy
- 27 Bypass valve
- 28 Return filter
- 29 Spin filter
- 30 Air breather
- 31 Hydraulic tank
- 32 Line filter
- 33 Boom cylinder(LH)
- 34 Boom cylinder(RH)
- 35 Arm cylinder
- 36 Bucket cylinder
- 37 Last guard filter
- 38 Brake valve
- 39 Pressure switch
- 40 Pressure switch
- 41 Pressure switch
- 42 Pressure switch
- 43 Pressure switch
- 44 5 solenoid valve
- 45 2 solenoid valve
- 46 Outrigger cylinder(RH)
- 47 Outrigger cylinder(LH)
- 48 Gear pump
- 49 Safety lock valve
- 50 Safety lock valve
- 51 Adjust cylinder
- 52 Safety lock valve
- 53 Shut off valve
- 54 Pressure switch
- 55 Option pedal
- 56 Pressure switch
- 57 Selector valve
- 58 Accumulator
- 59 Accumulator
- 60 Stop valve
- 61 Selector valve
- 62 Port relief valve
- 63 Port relief valve
- 64 Control valve
- 65 Shuttle valve
- 66 Orifice fitting
- 67 Selector valve

20W73HC01