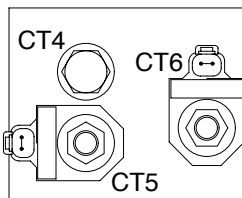
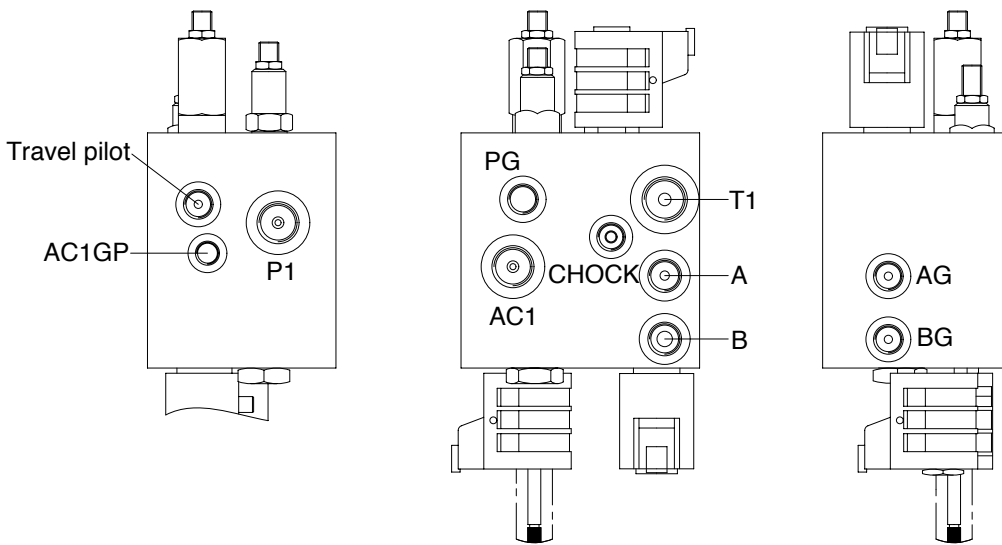
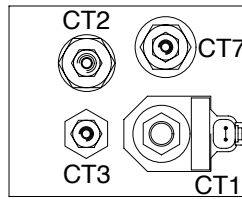
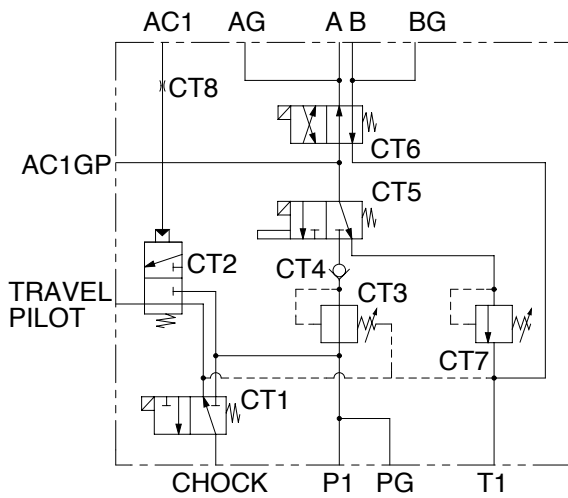


GROUP 9 TRANSMISSION CONTROL VALVE

1. STRUCTURE



20W72TCV02

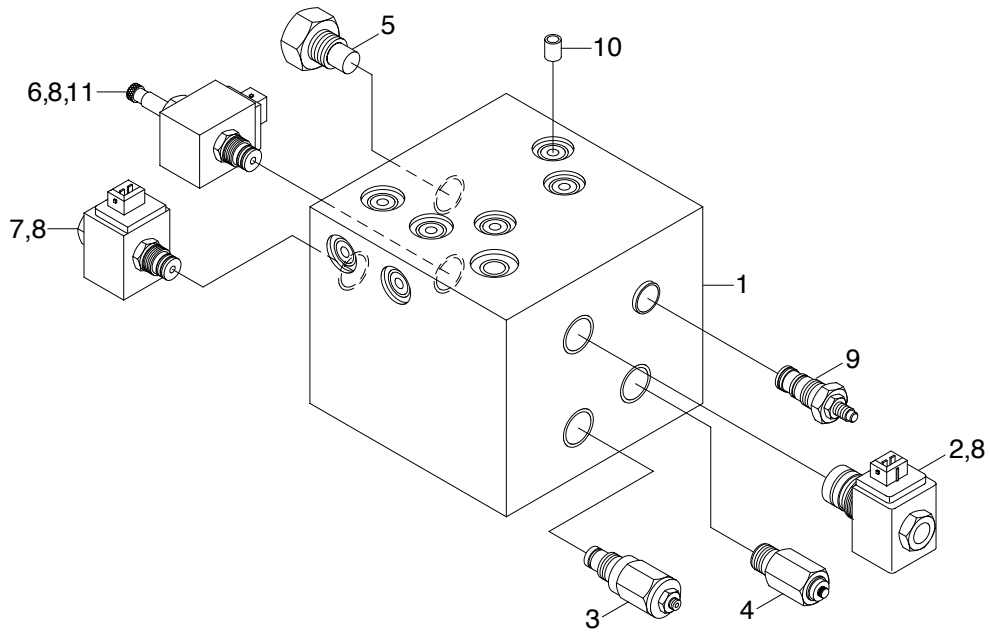


Hydraulic circuit

Port name	Port size
P1, T1, AC1	PF 1/2
Travel pilot, A, B	PF 3/8
AG, BG, PG, CHOCK	PF 1/4

20W72TCV03

2. COMPONENT



20W72TCV01

- | | | | |
|---|----------------|----|----------------|
| 1 | Body | 7 | Solenoid valve |
| 2 | Solenoid valve | 8 | Coil |
| 3 | POD valve | 9 | Relief valve |
| 4 | Reducing valve | 10 | Orifice |
| 5 | Check valve | 11 | Lock nut |
| 6 | Solenoid valve | | |