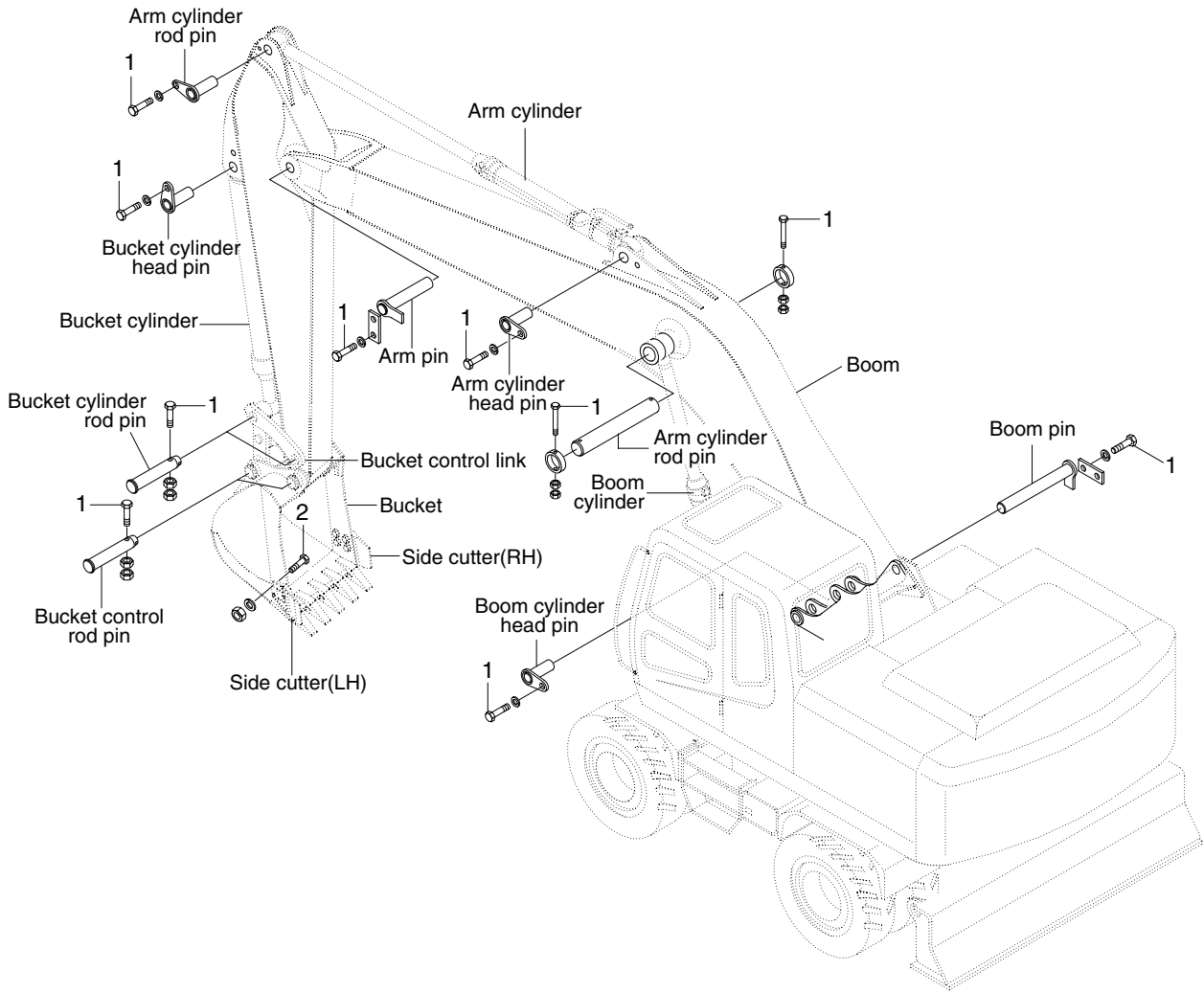


GROUP 7 WORK EQUIPMENT



17W99CM14

· Tightening torque

Item	Size	kgf · m	kgf · m
1	M16×2.0	29.7±4.5	215±32.5
2	M20×2.5	57.9±8.7	419±62.9