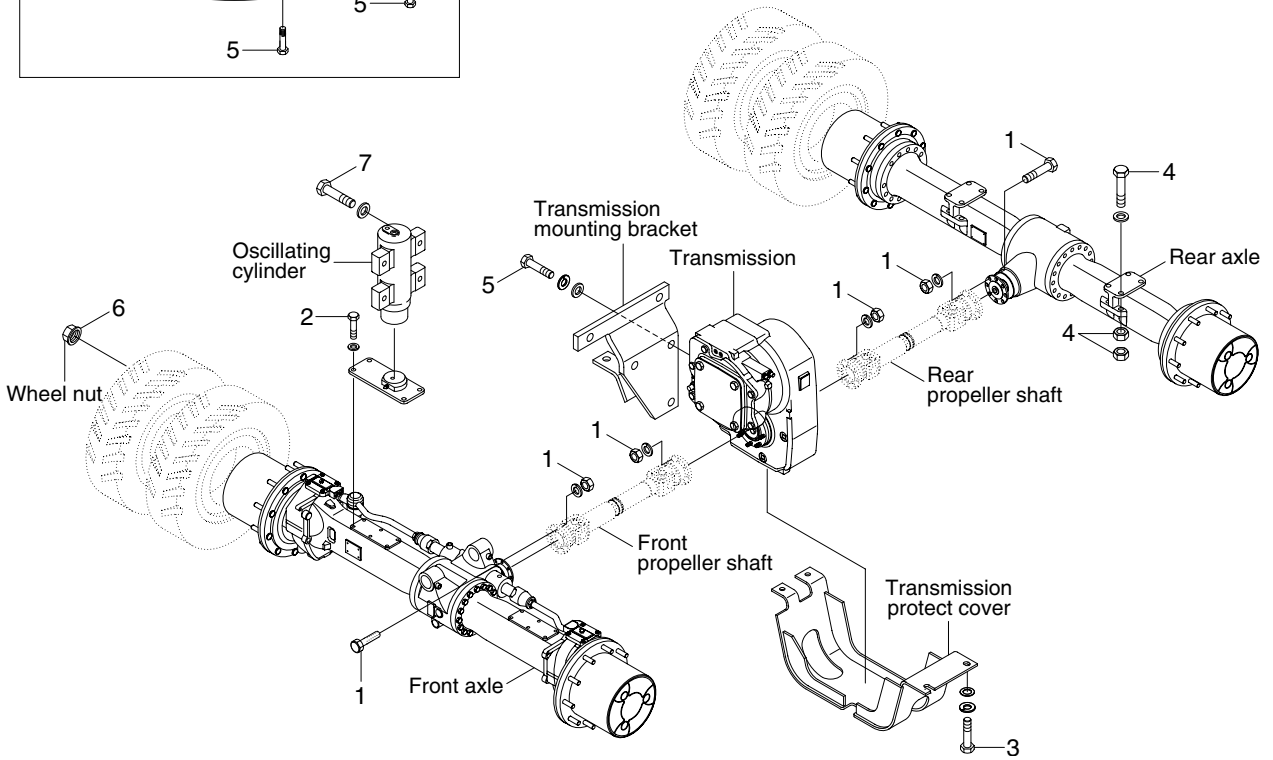
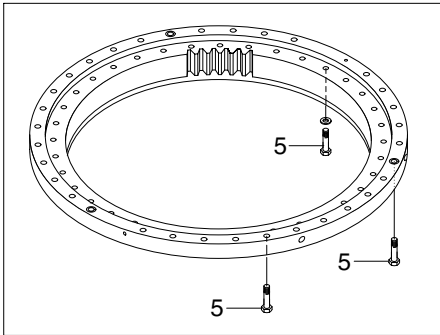


GROUP 5 POWER SYSTEM

1. POWER TRAIN MOUNTION

Swing bearing



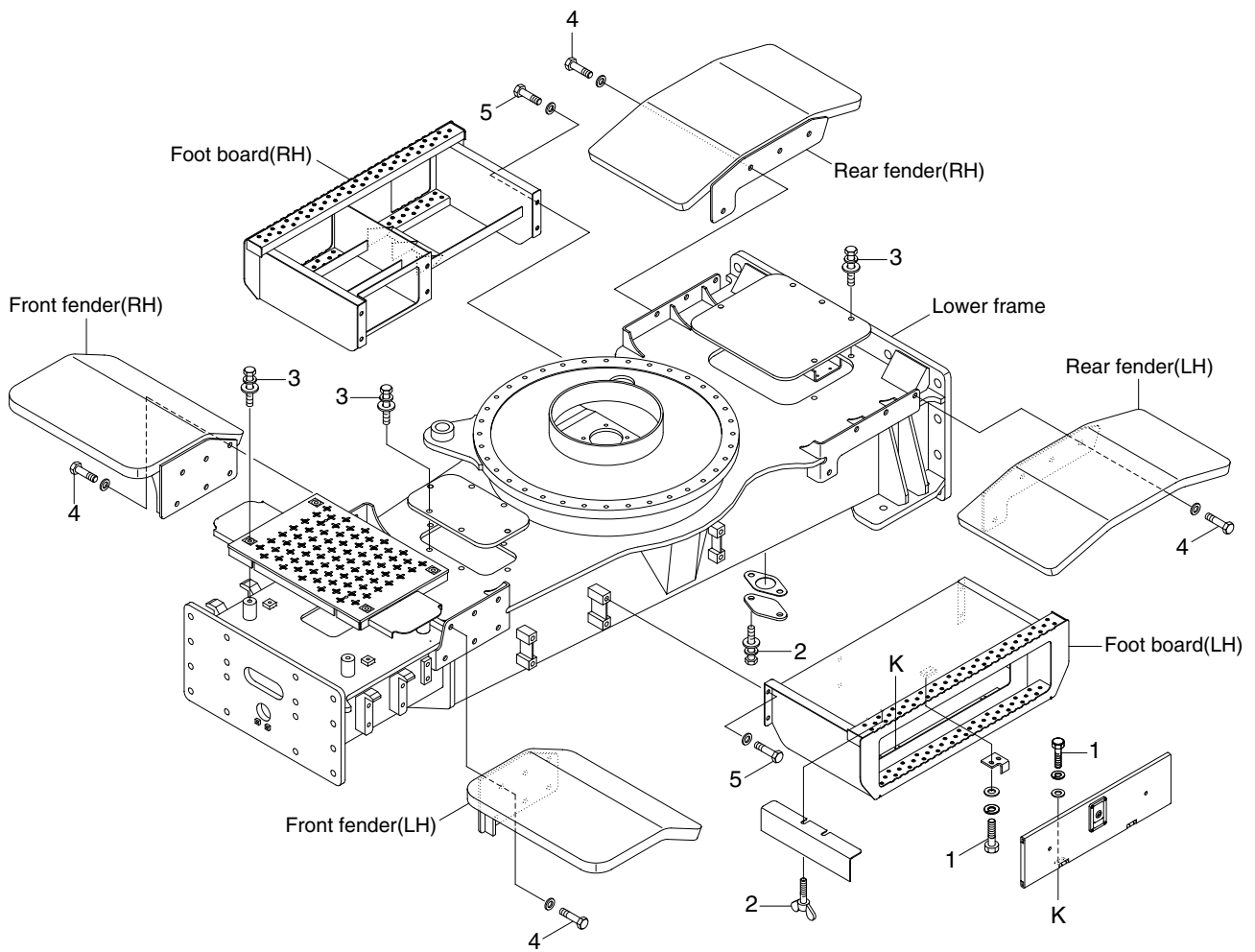
17W99CM08

· Tightening torque

| Item | Size | kgf · m | kgf · m |
|------|----------|----------|----------|
| 1 | M10×1.25 | 5.9±0.6 | 42.7±4.3 |
| 2 | M16×2.0 | 29.6±3.2 | 214±23.1 |
| 3 | M16×2.0 | 29.7±4.5 | 215±32.5 |
| 4 | M20×1.5 | 58±6.3 | 422±46.3 |

| Item | Size | kgf · m | kgf · m |
|------|---------|-------------------------------|-----------------------------------|
| 5 | M20×2.5 | 58±6.3 | 420±46 |
| 6 | M22×1.5 | 60 ⁰ ₋₅ | 433 ⁰ _{-36.2} |
| 7 | M22×1.5 | 83.2±9.2 | 602±66.5 |

2. COVER AND FOOT BOARD



17W99CM09

· Tightening torque

| Item | Size | kgf · m | kgf · m |
|------|------------|------------|-------------|
| 1 | M 8 × 1.25 | 2.5 ± 0.5 | 18.1 ± 3.6 |
| 2 | M10 × 1.5 | 6.9 ± 1.4 | 49.9 ± 10.1 |
| 3 | M12 × 1.75 | 12.8 ± 3.0 | 92.6 ± 21.7 |

| Item | Size | kgf · m | kgf · m |
|------|-----------|------------|------------|
| 4 | M16 × 2.0 | 29.7 ± 4.5 | 215 ± 32.5 |
| 5 | M20 × 2.5 | 57.9 ± 8.7 | 419 ± 62.9 |