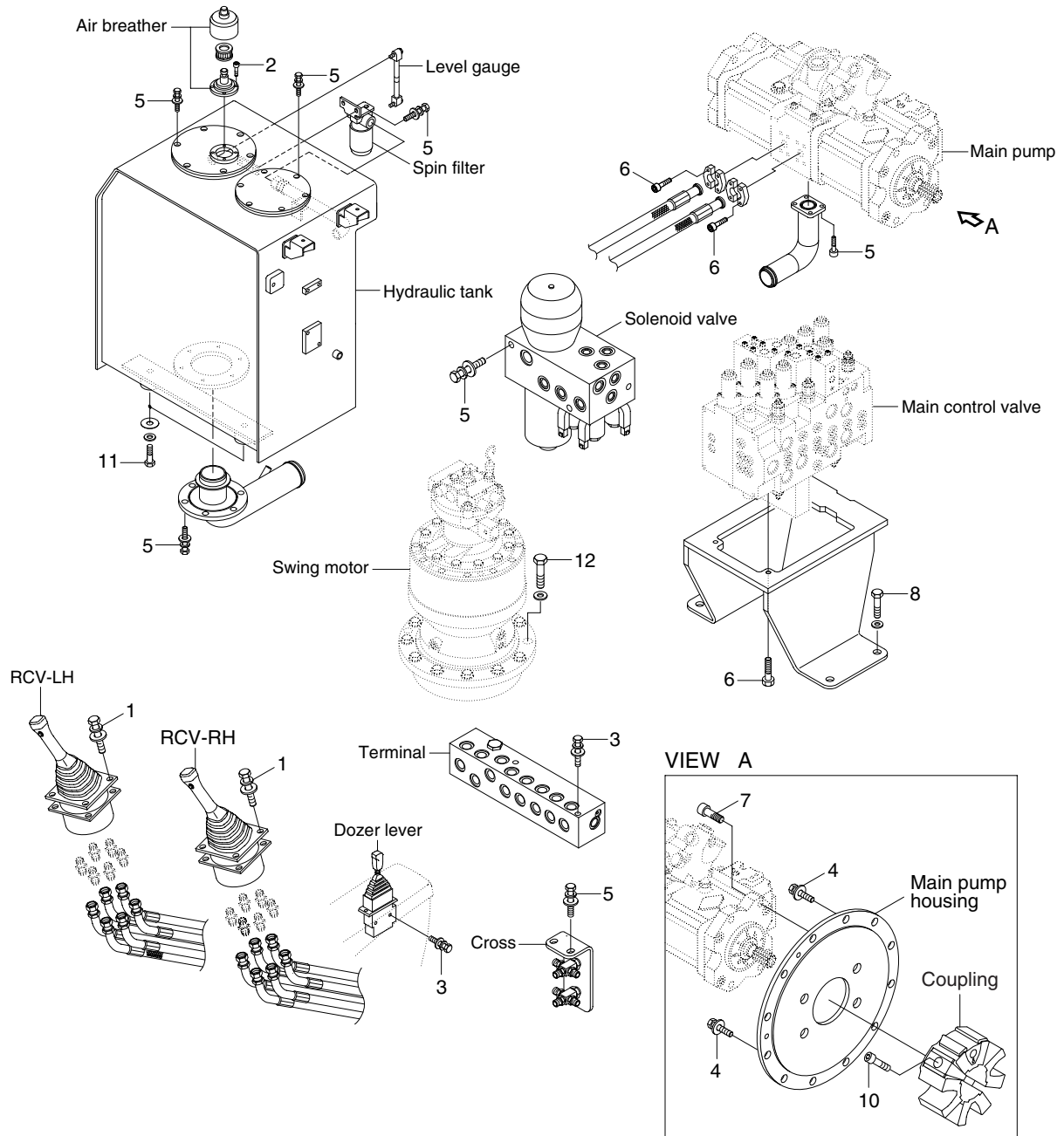


GROUP 4 HYDRAULIC SYSTEM

1. HYDRAULIC COMPONENTS MOUNTING 1



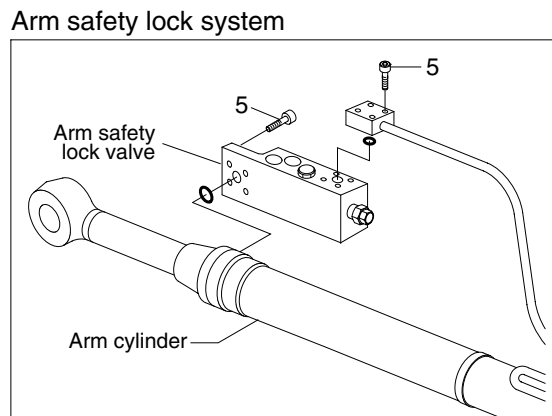
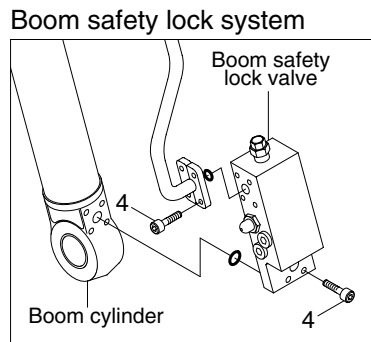
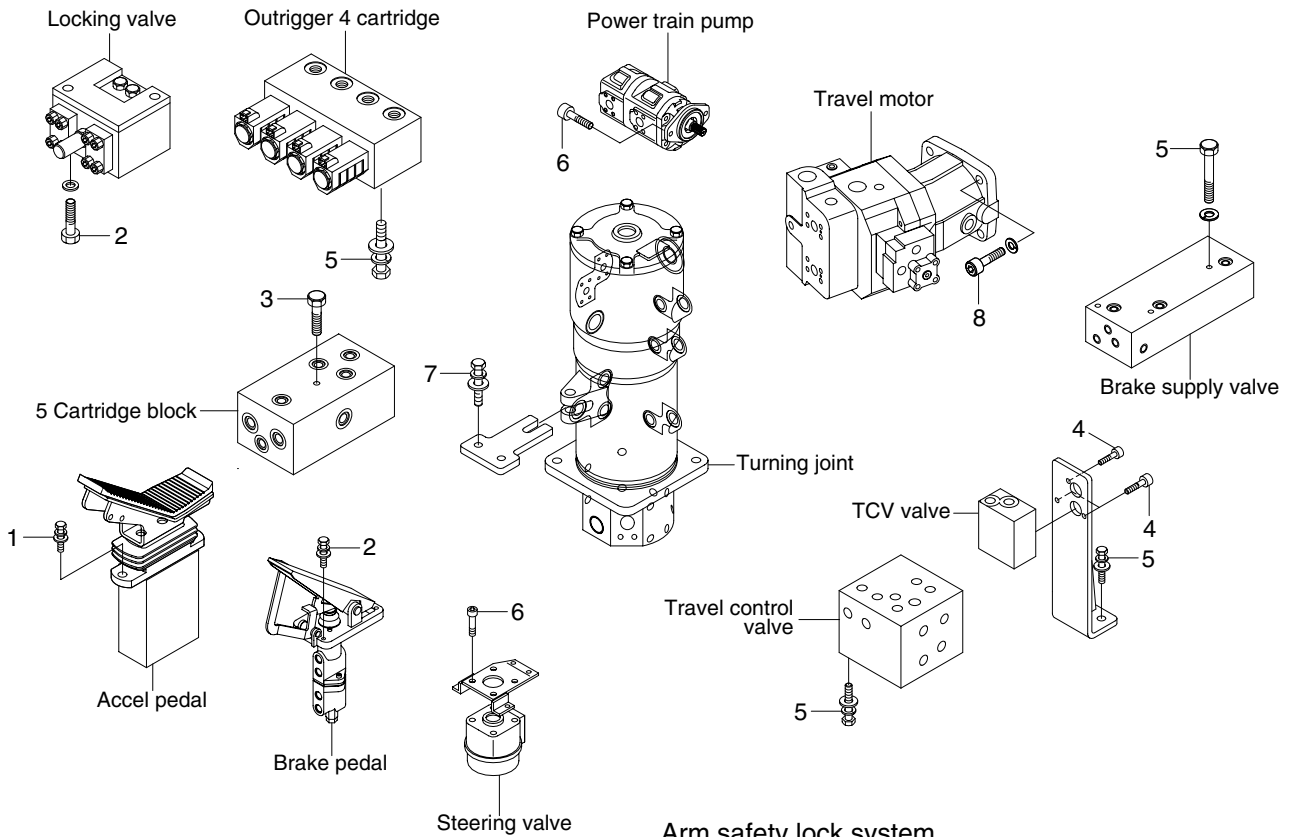
17W99CM05

· Tightening torque

| Item | Size | kgf · m | kgf · m |
|------|----------|----------|-----------|
| 1 | M 6×1.0 | 1.05±0.2 | 7.6±1.45 |
| 2 | M 6×1.0 | 1.44±0.3 | 10.4±2.2 |
| 3 | M 8×1.25 | 3.43±0.7 | 24.8±5.1 |
| 4 | M10×1.5 | 4.8±0.3 | 34.7±2.2 |
| 5 | M10×1.5 | 6.9±1.4 | 49.9±10.1 |
| 6 | M12×1.75 | 12.8±3.0 | 92.6±21.7 |

| Item | Size | kgf · m | kgf · m |
|------|---------|----------|----------|
| 7 | M16×2.0 | 25.0±2.5 | 181±18.1 |
| 8 | M16×2.0 | 29.6±3.2 | 215±23.1 |
| 9 | M16×2.0 | 29.7±4.5 | 215±32.5 |
| 10 | M18×2.5 | 32±1.0 | 231±7.2 |
| 11 | M20×2.5 | 46±5.1 | 333±36.9 |
| 12 | M20×2.5 | 57.9±8.7 | 419±62.9 |

2. HYDRAULIC COMPONENTS MOUNTING 2



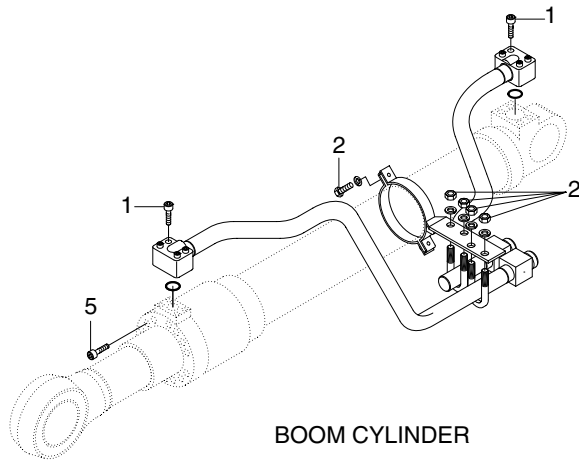
17W99CM06

· Tightening torque

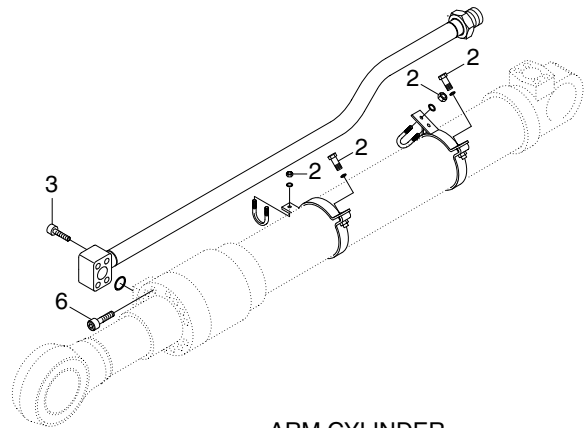
| Item | Size | kgf · m | kgf · m |
|------|----------|----------|----------|
| 1 | M 6×1.0 | 1.05±0.2 | 7.6±1.45 |
| 2 | M 8×1.25 | 2.5±0.5 | 18.1±3.6 |
| 3 | M 8×1.25 | 3.43±0.7 | 24.8±5.1 |
| 4 | M 8×1.25 | 4.05±0.8 | 29.3±5.8 |

| Item | Size | kgf · m | kgf · m |
|------|----------|----------|-----------|
| 5 | M10×1.5 | 6.9±1.4 | 49.9±10.1 |
| 6 | M10×1.5 | 8.27±1.7 | 59.8±12.3 |
| 7 | M12×1.75 | 12.3±1.3 | 89±9.4 |
| 8 | M16×2.0 | 29.6±3.2 | 214±23.1 |

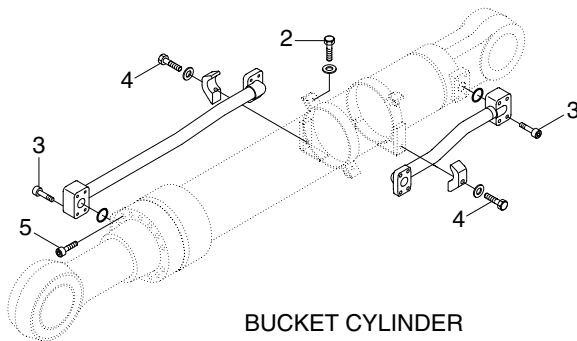
3. HYDRAULIC COMPONENTS MOUNTING 3



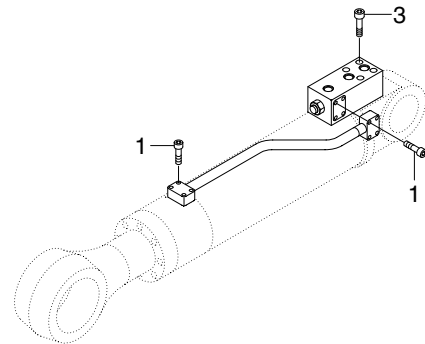
BOOM CYLINDER



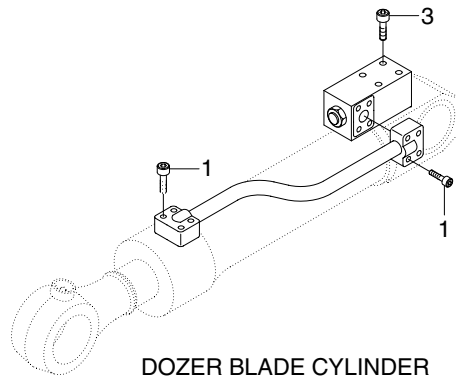
ARM CYLINDER



BUCKET CYLINDER



OUTRIGGER CYLINDER



DOZER BLADE CYLINDER

17W99CM07

· Tightening torque

| Item | Size | kgf · m | kgf · m |
|------|----------|---------|----------|
| 1 | M 8×1.25 | 2.7±0.3 | 19.5±2.2 |
| 2 | M10×1.5 | 3.2±0.3 | 23.1±2.2 |
| 3 | M10×1.5 | 5.4±0.5 | 39.1±3.6 |

| Item | Size | kgf · m | kgf · m |
|------|----------|---------|-----------|
| 4 | M12×1.75 | 9.3±1.9 | 67.3±13.7 |
| 5 | M14×2.0 | 15±2.0 | 108±14.5 |
| 6 | M16×2.0 | 23±2.0 | 166±14.5 |