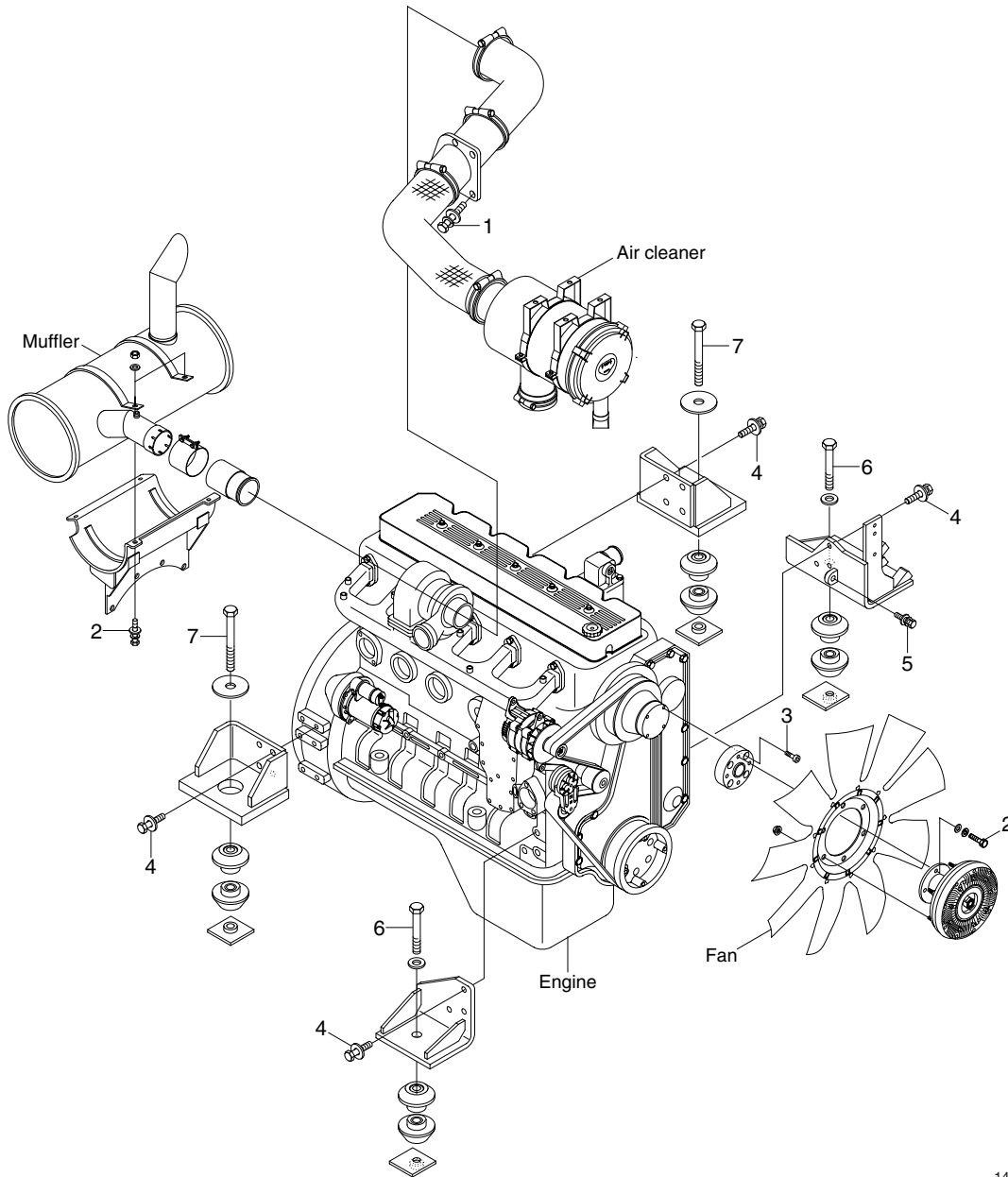


GROUP 2 ENGINE SYSTEM

1. ENGINE AND ACCESSORIES MOUNTING



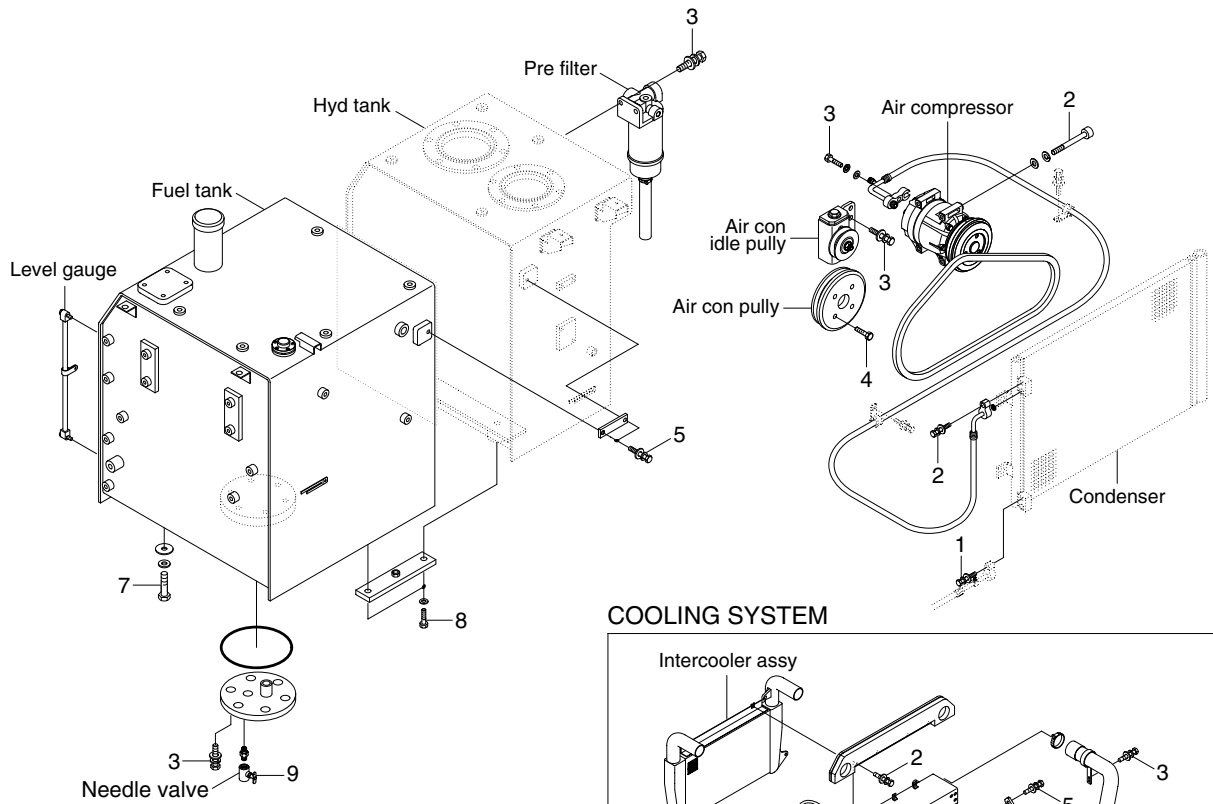
14W99CM01

· Tightening torque

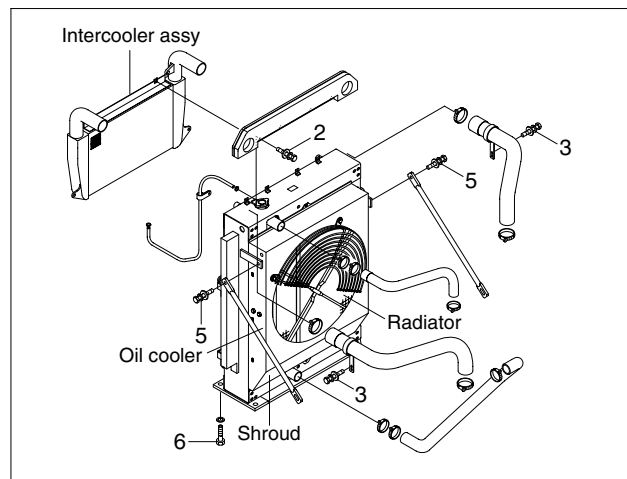
Item	Size	kgf · m	kgf · m
1	M 8×1.25	2.5±0.5	18.1±3.6
2	M10×1.5	6.9±1.4	49.9±10.1
3	M10×1.5	7.0±1.0	50.6±7.2
4	M12×1.75	10.0±1.0	72.3±7.2

Item	Size	kgf · m	kgf · m
5	M12×1.75	12.8±3.0	92.6±21.7
6	M20×2.5	55±3.5	398±25.3
7	M24×3.0	90±7.0	651±50.6

2. COOLING SYSTEM AND FUEL TANK MOUNTING



COOLING SYSTEM



17W99CM02

· Tightening torque

Item	Size	kgf · m	kgf · m
1	M 6×1.0	1.05±0.2	7.6±1.45
2	M 8×1.25	2.5±0.5	18.1±3.6
3	M10×1.5	6.9±1.4	49.9±10.1
4	M10×1.5	8.3±1.7	60.0±12.3
5	M12×1.75	12.8±3.0	92.6±21.7

Item	Size	kgf · m	kgf · m
6	M16×2.0	29.7±4.5	215±32.5
7	M20×2.5	46±5.1	333±36.9
8	M20×2.5	57.9±8.7	419±62.9
9	-	2.3±0.6	16.6±4.3