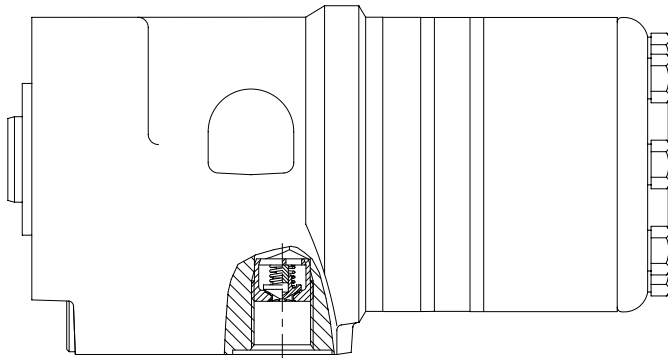
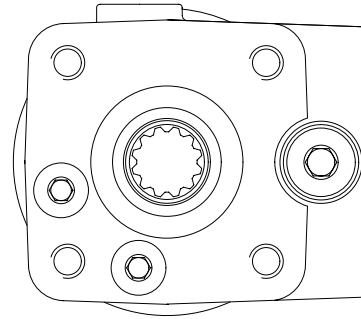
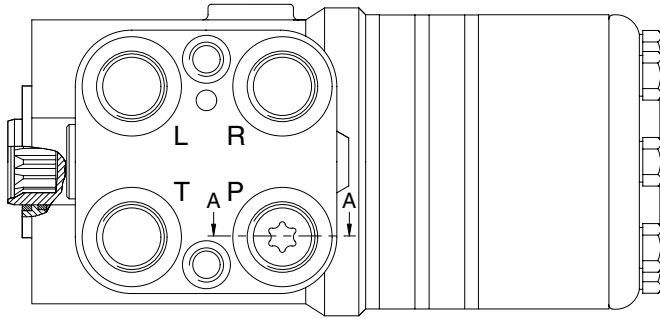
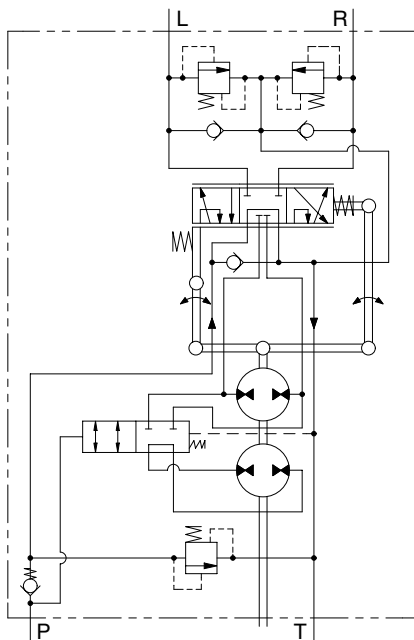


GROUP 10 STEERING VALVE

1. STRUCTURE



SECTION A-A



Hydraulic circuit

Port	Port name	Port size
L	Left port	3/4-16UNF
R	Right port	
T	Tank port	
P	Pump port	

14W92SV01

