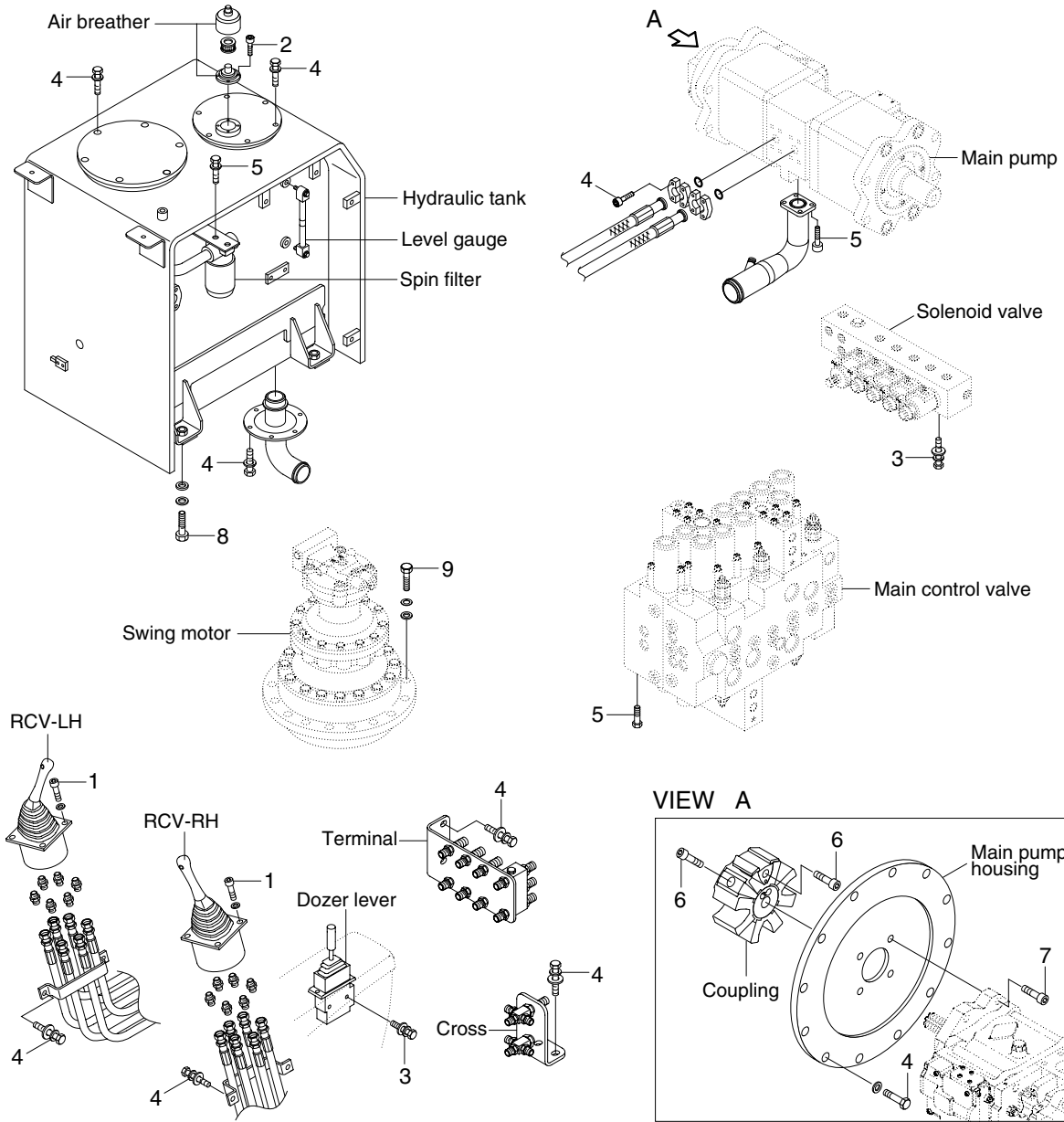


GROUP 4 HYDRAULIC SYSTEM

1. HYDRAULIC COMPONENTS MOUNTING 1



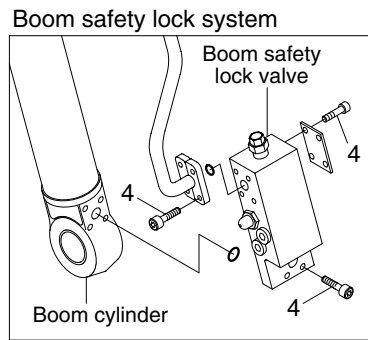
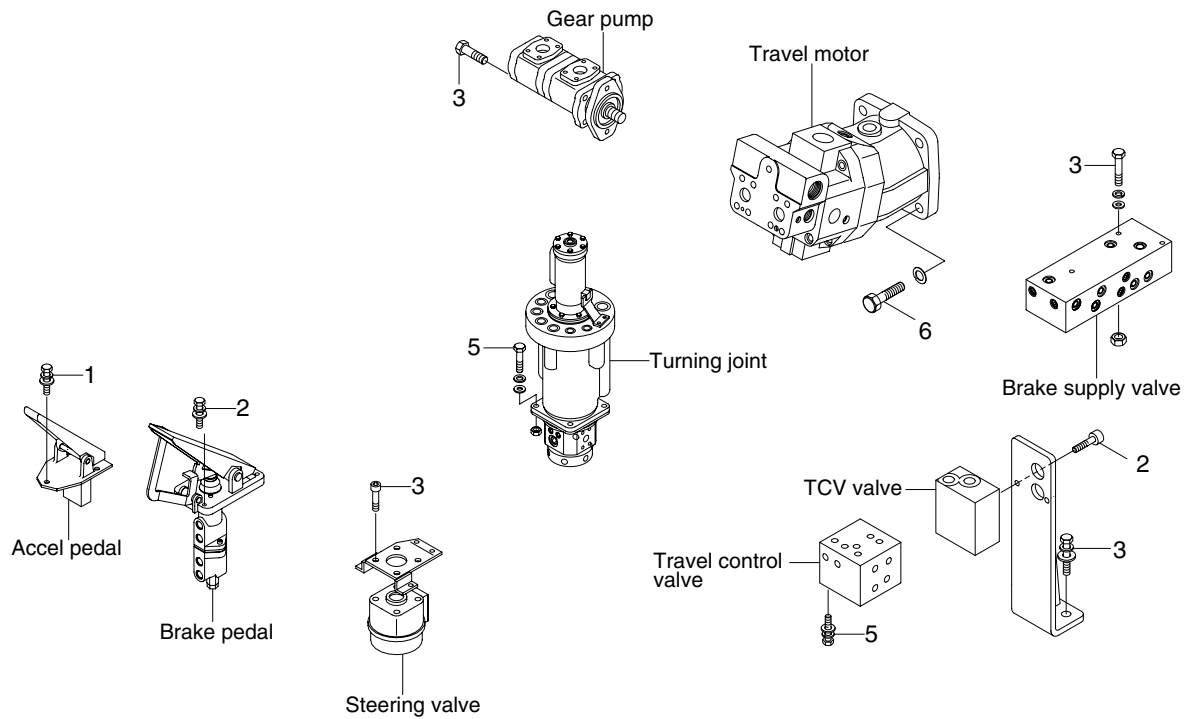
17W7A9CM05

· Tightening torque

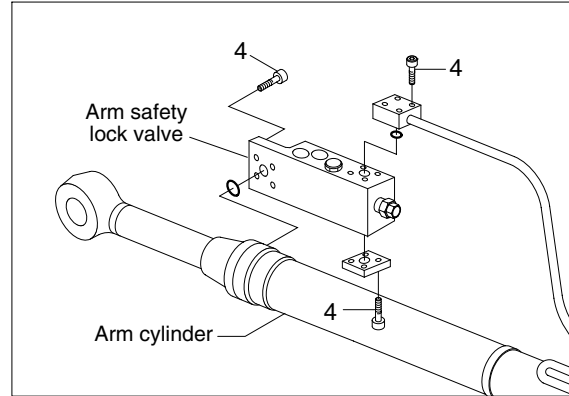
Item	Size	kgf · m	lbf · ft
1	M 6×1.0	1.05±0.2	7.6±1.45
2	M 6×1.0	1.44±0.3	10.4±2.2
3	M 8×1.25	2.5±0.5	18.1±3.6
4	M10×1.5	6.9±1.4	49.9±10.1
5	M12×1.75	12.2±1.3	88.2±9.4

Item	Size	kgf · m	lbf · ft
6	M16×2.0	22.0±1.0	159±7.2
7	M16×2.0	22.5±0.5	163±3.6
8	M20×2.5	45.0±5.1	325±36.9
9	M20×2.5	57.9±8.7	419±62.9
-	-	-	-

2. HYDRAULIC COMPONENTS MOUNTING 2



Arm safety lock system



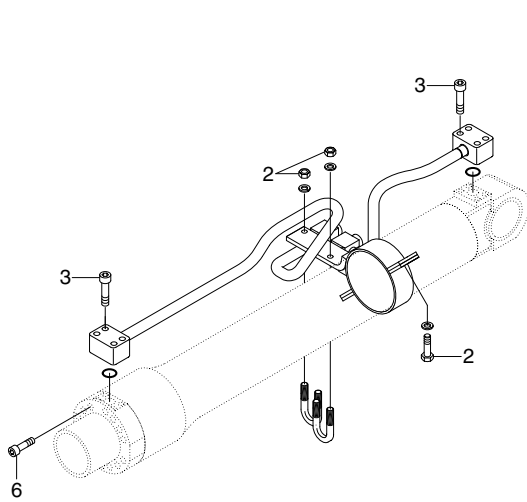
17W7A9CM06

· Tightening torque

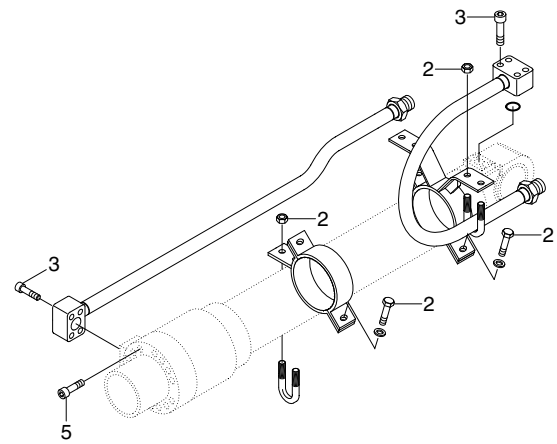
Item	Size	kgf · m	lbf · ft
1	M 6 × 1.0	1.05 ± 0.2	7.6 ± 1.4
2	M 8 × 1.25	2.5 ± 0.5	18.1 ± 3.6
3	M 10 × 1.5	6.9 ± 1.4	49.9 ± 10.1

Item	Size	kgf · m	lbf · ft
4	M 10 × 1.5	8.27 ± 1.7	59.8 ± 12.3
5	M 12 × 1.75	12.2 ± 1.3	88.2 ± 9.4
6	M 16 × 2.0	29.6 ± 3.2	214 ± 23.1

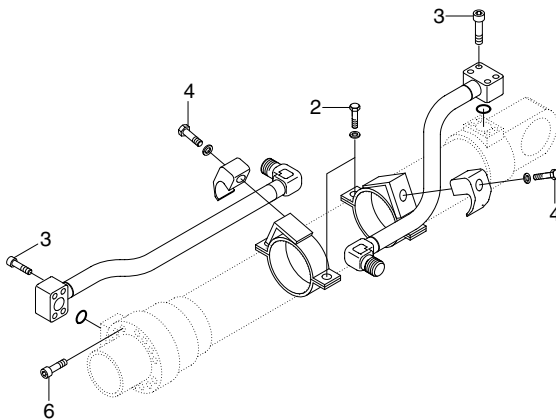
3. HYDRAULIC COMPONENTS MOUNTING 3



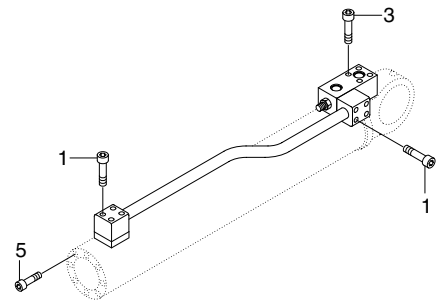
BOOM CYLINDER



ARM CYLINDER



BUCKET CYLINDER



DOZER & OUTRIGGER CYLINDER

17W7A9CM07

· Tightening torque

Item	Size	kgf · m	lbf · ft
1	M8 × 1.25	2.7±0.3	19.5±2.2
2	M10×1.5	3.2±0.3	23.1±2.2
3	M10×1.5	5.4±0.5	39.1±3.6

Item	Size	kgf · m	lbf · ft
4	M12×1.75	5.5±0.6	39.8±4.3
5	M16×2.0	23±2.0	166±14.5
6	M18×2.5	32±3.0	232±21.7