

GROUP 4 CONNECTORS

1. CONNECTOR DESTINATION

| Connector number | Type | No. of pin | Destination | Connector part No. | |
|------------------|-----------|------------|--|--------------------|--------------|
| | | | | Female | Male |
| CN-1 | AMP | 6 | l/conn(Engine harness -Frame harness) | S816-006002 | S816-106002 |
| CN-2 | AMP | 12 | l/conn(Engine harness -Frame harness) | S816-012002 | S816-112002 |
| CN-4 | AMP | 8 | l/conn(Frame harness-Console harness LH) | S816-008002 | S816-108002 |
| CN-5 | AMP | 15 | l/conn(Frame harness-Side harness RH) | 2-85262-1 | 368301-1 |
| CN-6 | AMP | 12 | l/conn(Frame harness-Side harness RH) | S816-012002 | S816-112002 |
| CN-7 | AMP | 15 | l/conn(Frame harness-Console harness RH) | 2-85262-1 | 368301-1 |
| CN-8 | AMP | 12 | l/conn(Frame harness-Console harness RH) | A816-012002 | S816-112002 |
| CN-9 | AMP | 8 | l/conn(Frame harness-Console harness RH) | S816-008002 | S816-108002 |
| CN-10 | DEUTSCH | 12 | l/conn(Frame harness-Cab harness) | DT06S-12S | DT04-12P |
| CN-11 | DEUTSCH | 8 | l/conn(Frame harness-Aircon harness) | DT06-8S | - |
| CN-12 | DEUTSCH | 2 | l/conn(Frame harness-Boom wire harness) | DT06-2S-EP06 | DT04-2P |
| CN-14 | DEUTSCH | 9 | Service tool | HD10-9-96P | - |
| CN-15 | AMP | 2 | Adjust boom auto idle pressure | S816-002002 | S816-102002 |
| CN-16 | AMP | 6 | Emergency engine speed control | S816-006002 | S816-106002 |
| CN-17 | DEUTSCH | 8 | l/conn(Side harness RH-Wiper harness) | DT06-8S | DT04-8P |
| CN-19 | AMP | 2 | Emergency CPU controller | S816-002002 | S816-102002 |
| CN-20 | MOLEX | 2 | Horn | 35825-0211 | - |
| CN-21 | AMP | 6 | Wiper motor | 925276-0 | - |
| CN-22 | KET | 2 | Washer pump | MG640605 | - |
| CN-23 | KET | 2 | Speaker-LH | MG610070 | - |
| CN-24 | KET | 2 | Speaker-RH | MG610070 | - |
| CN-25 | MOLEX | 2 | Horn | 35825-0211 | - |
| CN-27 | AMP | 14 | Cassette radio | 173852 | - |
| CN-28 | MWP | 1 | Aircon compressor | NMWP01F-B | - |
| CN-29 | KET | 2 | Receiver dryer | MG640795 | - |
| CN-36 | DEUTSCH | 3 | Fuse box | 21N8-20041 | - |
| CN-45 | RING-TERM | - | Start motor B ⁺ | S820-308000 | - |
| CN-47 | FASTEN | 2 | Resistor | S810-002202 | - |
| CN-48 | AMP | 2 | Hour meter | GP890469 | - |
| CN-50 | AMP | 36 | CPU controller | 3441111-1 | - |
| CN-51 | AMP | 36 | CPU controller | 3441111-1 | - |
| CN-56 | DEUTSCH | 4 | Cluster | - | DT04-4P-E004 |
| CN-60 | YAZAKI | 2 | Fusible link | 21N4-01320 | 7122-4125-50 |
| CN-61 | DEUTSCH | 2 | Fuel filler pump | DT06-2S-P012 | - |
| CN-65 | KET | 2 | Back up buzzer | DT06-2S | - |

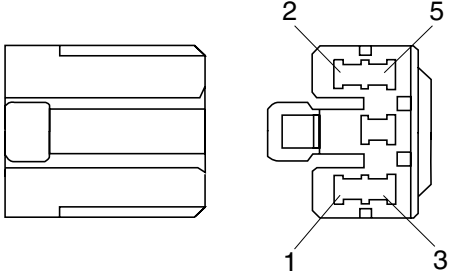
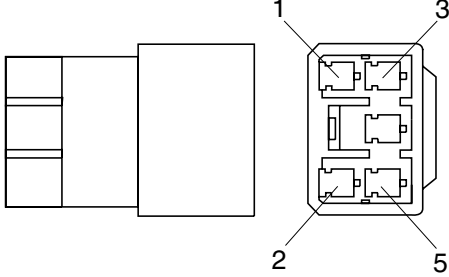
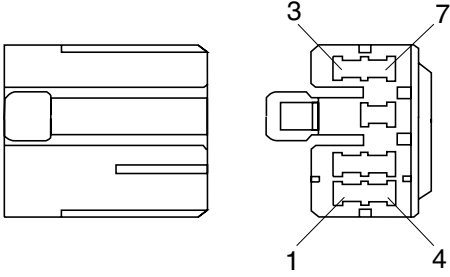
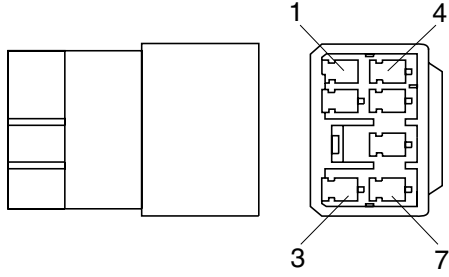
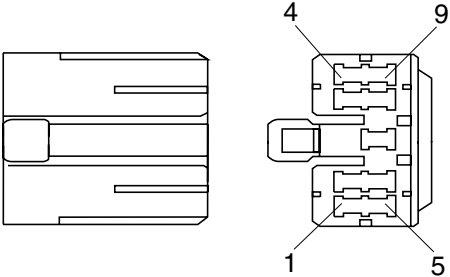
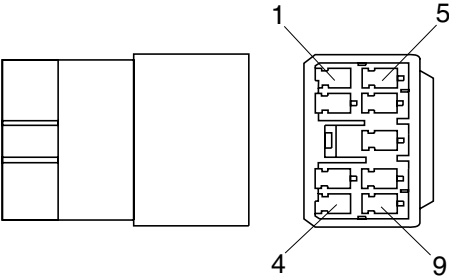
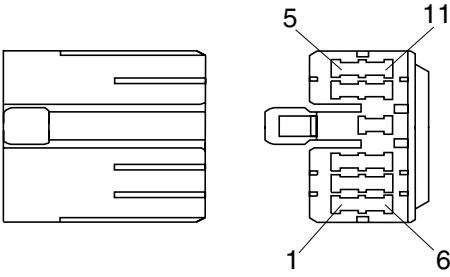
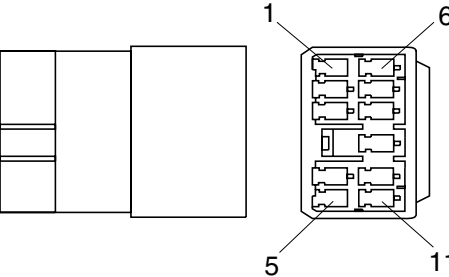
| Connector number | Type | No. of pin | Destination | Connector part No. | |
|------------------|-------------|------------|--|--------------------|--------------|
| | | | | Female | Male |
| CN-66 | DEUTSCH | 2 | Breaker solenoid | DT06-2S-P012 | DT04-2P-E004 |
| CN-68 | DEUTSCH | 2 | Safety solenoid | DT06-2S-P012 | DT04-2P-E004 |
| CN-69 | DEUTSCH | 2 | Ram lock solenoid | DT06-2S-P012 | DT04-2P-E004 |
| CN-70 | DEUTSCH | 2 | Travel high speed solenoid | DT06-2S-P012 | DT04-2P-E004 |
| CN-71 | DEUTSCH | 2 | Parking solenoid | DT06-2S-P012 | DT04-2P-E004 |
| CN-73 | DEUTSCH | 2 | Dozer & Outrigger | DT06-2S-P012 | DT04-2P-P012 |
| CN-74 | RING-TERM | - | Alternator "I" term | - | S820-105000 |
| CN-75 | AMP | 2 | EPPR valve | S816-002002 | - |
| CN-81 | DEUTSCH | 2 | Travel buzzer solenoid | DT06-2S-P012 | DT04-2P-E004 |
| CN-88 | DEUTSCH | 2 | Power max solenoid | DT06-2S-P012 | - |
| CN-92 | SWF | 1 | Emergency engine starting connector | S814-001100 | S814-101100 |
| CN-93 | DELPHI | 64 | ECU (J2) | 15488668 | - |
| CN-94 | DELPHI | 64 | ECU (J1) | 15488668 | - |
| CN-95 | YAZAKI | 2 | Fusible link | 21N4-01311 | S813-130200 |
| CN-96 | DELPHI | 4 | Fuel warmer | 2-967325-3 | - |
| CN-97 | AMP | 12 | Multifunction switch | - | S816-112002 |
| CN-98 | AMP | 10 | Multifunction switch | - | S816-110002 |
| CN-99 | AMP | 8 | Multifunction switch | - | S816-108002 |
| CN-116 | PA | 17 | Switch panel | S811-017002 | - |
| CN-122 | DEUTSCH | 2 | Forward solenoid | DT06-2S-P012 | DT04-2P-P012 |
| CN-123 | DEUTSCH | 2 | Reverse solenoid | DT06-2S-P012 | DT04-2P-P012 |
| CN-125 | Econoseal J | 4 | GPS connector | S816-004002 | S816-104002 |
| CN-126 | DEUTSCH | 4 | RS 232 connector | DT06-4S-P012 | DT04-4P-E004 |
| CN-131 | AMP | 4 | Working brake, stop lamp pressure switch | S816-002002 | S816-102002 |
| CN-133 | DEUTSCH | 2 | Boom priority solenoid | DT06-2S-P012 | - |
| CN-137 | DEUTSCH | 2 | Max flow solenoid | DT06-2S-P012 | - |
| CN-138 | DEUTSCH | 3 | DC/DC converter | DT06-3S-P012 | - |
| CN-139 | DEUTSCH | 2 | 12V socket | - | DT04-2P-E004 |
| CN-140 | DEUTSCH | 2 | Quick clamp | DT06-2S-P012 | DT04-2P-E004 |
| CN-141 | AMP | 13 | Wiper motor controller | 172498-1 | DT04-3P-EP10 |
| CN-142 | DEUTSCH | 3 | Accel dial | DT06-3S-P012 | - |
| CN-143 | KET | 12 | Cassette radio(With remocon) | S816-002002 | - |
| CN-144 | AMP | 12 | Remocon-cassette radio | 174045-2 | - |
| CN-156 | AMP | 2 | Air seat | S816-002002 | - |
| CN-170 | AMP | 2 | Seat heater | S816-002002 | S816-102002 |
| CN-171 | DEUTSCH | 40 | I/conn (ECU-Engine harness) | DRC18-40SAE | - |
| CN-173 | DEUTSCH | 3 | Resistor | DT06-3S-P012 | DT04-3P-EP10 |
| CN-174 | DEUTSCH | 3 | Resistor | DT06-3S-P012 | DT04-3P-EP10 |
| CN-181 | DEUTSCH | 2 | Travel low speed solenoid | DT06-2S-P012 | DT04-2P-E004 |

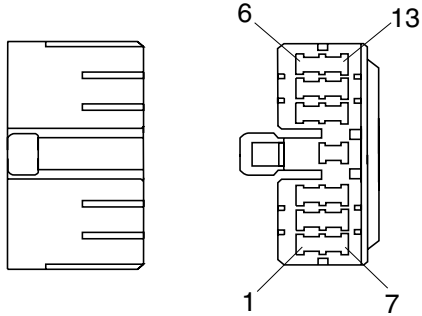
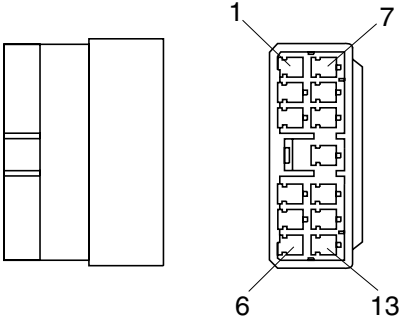
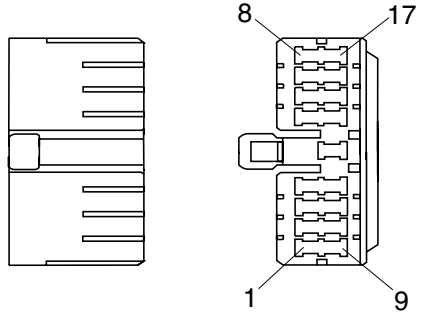
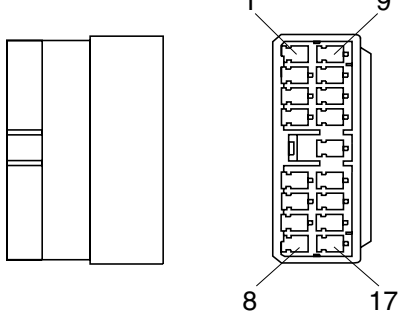
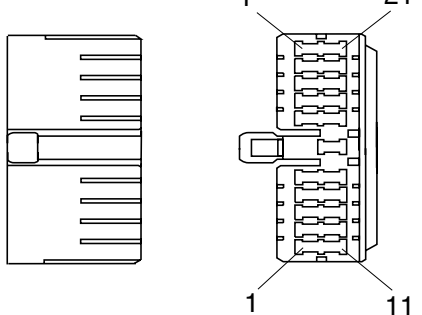
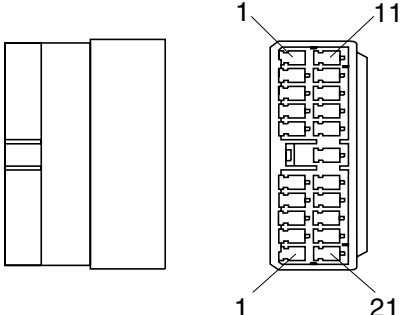
| Connector number | Type | No. of pin | Destination | Connector part No. | |
|------------------|-----------|------------|-------------------------|--------------------|--------------|
| | | | | Female | Male |
| · Relay | | | | | |
| CR-1 | RING-TERN | - | Battery relay | - | S820-208002 |
| CR-2 | - | 5 | Horn relay | - | - |
| CR-3 | - | 5 | Work lamp relay | - | - |
| CR-5 | - | 5 | Anti restart relay | - | - |
| CR-7 | - | 5 | Aircon compressor relay | - | - |
| CR-11 | AMP | 3 | Flasher unit relay | S810-003702 | - |
| CR-12 | - | 5 | Travel speed relay | - | - |
| CR-13 | - | 5 | Head lamp low relay | - | - |
| CR-14 | - | 5 | Head lamp high relay | - | - |
| CR-23 | RING-TERM | 2 | Start relay | S814-002001 | S814-102001 |
| CR-24 | RING-TERM | 1 | Pre-heater relay | S822-014000 | - |
| CR-29 | AMP | 4 | Forward relay | S810-004202 | - |
| CR-30 | AMP | 4 | Reverse relay | S810-004202 | - |
| CR-35 | - | 5 | Power relay | - | - |
| CR-45 | - | 5 | ECU power relay | - | - |
| CR-46 | - | 5 | Fuel heater relay | - | - |
| CR-53 | AMP | 4 | Timer stop lamp relay | S810-004202 | - |
| CR-62 | - | 5 | Breaker relay | - | - |
| CR-63 | - | 5 | Stop lamp relay | - | - |
| CR-66 | - | 5 | Parking relay | - | - |
| · Switch | | | | | |
| CS-1 | SHUR | 1 | Door switch | S822-014004 | - |
| CS-2 | SWP | 6 | Start key switch | S814-006000 | - |
| CS-4 | DEUTSCH | 3 | Safety switch | DT06-3S-P012 | - |
| CS-5 | DEUTSCH | 1 | Horn switch | - | DT04-2P-E004 |
| CS-19 | DEUTSCH | 2 | One touch decel | - | DT04-2P-E004 |
| CS-20 | AMP | 1 | Safety switch | S822-014002 | - |
| CS-23 | SWF | 10 | Beacon lamp switch | SWF 593757 | - |
| CS-26 | DEUTSCH | 1 | Breaker switch | DT06-2S-P012 | - |
| CS-26A | AMP | 2 | Breaker pedal switch | S816-002002 | S816-102002 |
| CS-27 | SWF | 10 | Breaker switch | SWF 593757 | - |
| CS-29 | DEUTSCH | 2 | Power max switch | DT06-2S-P012 | - |
| CS-50 | SWF | 10 | Overload switch | SWF 593757 | - |
| CS-53 | AMP | 1 | Wiper cut switch | S822-014002 | - |
| CS-54 | SWF | 10 | Spare switch | SWF 593757 | - |
| CS-67 | SWF | 10 | Quick clamp switch | SWF 593757 | - |
| CS-74 | AMP | 2 | Master switch | S813-030201 | - |
| CS-81 | SWF | 10 | Travel / work switch | SWF 593757 | - |

| Connector number | Type | No. of pin | Destination | Connector part No. | |
|------------------|-----------|------------|-------------------------------|--------------------|--------------|
| | | | | Female | Male |
| CS-82 | SWF | 10 | Heated seat switch | SWF 593757 | - |
| CS-83 | SWF | 10 | Spare switch | SWF 593757 | - |
| · Light | | | | | |
| CL-1 | KET | 2 | Room lamp | MG 610406 | - |
| CL-2 | AMP | 1 | Cigar light | S822-014002 | - |
| CL-3 | AMP | 3 | Head lamp-LH | S810-003702 | - |
| CL-4 | AMP | 3 | Head lamp-RH | S810-003702 | - |
| CL-5 | DEUTSCH | 2 | Work lamp-LH | - | DT04-2P |
| CL-6 | DEUTSCH | 2 | Work lamp-RH | - | DT04-2P |
| CL-7 | SHUR | 1 | Beacon lamp | S822-014004 | S822-114004 |
| CL-8 | DEUTSCH | 2 | Cab light-LH | - | DT04-2P |
| CL-9 | DEUTSCH | 2 | Cab light-RH | - | DT04-2P |
| CL-15 | KET | 6 | Rear combination lamp-LH | S814-006000 | - |
| CL-16 | KET | 6 | Rear combination lamp-RH | S814-006000 | - |
| CL-21 | KET | 2 | Numberplate lamp | S814-002100 | - |
| CL-24 | KET | 3 | Front combination lamp-LH | S814-003000 | - |
| CL-25 | KET | 3 | Front combination lamp-RH | S814-003000 | - |
| · Sensor, sender | | | | | |
| CD-1 | AMP | 2 | Hydraulic oil temp sender | 85202-1 | - |
| CD-2 | DEUTSCH | 2 | Fuel sender | DT06-2S-EP06 | - |
| CD-3 | DEUTSCH | 2 | Brake fail pressure switch | - | DT04-2P-E005 |
| CD-4 | KET | 2 | Stop lamp pressure switch | - | - |
| CD-5 | - | 2 | Transmission pressure switch | 21EA-00310 | - |
| CD-7 | KET | 2 | Auto idle pressure switch | - | DT04-2P-E005 |
| CD-8 | AMP | 2 | Water temp sender | 85202-1 | - |
| CD-10 | RING-TERM | - | Air cleaner switch | - | S820-104002 |
| CD-16 | KET | 2 | Water level sender | S814-002100 | - |
| CD-17 | PACKARD | 2 | Tachosensor | - | S818-120221 |
| CD-18 | RING-TERM | 1 | Engine oil pressure switch | - | S820-104000 |
| CD-31 | DEUTSCH | 2 | Overload pressure switch | DT06-2S-EP06 | DT04-2P-P012 |
| CD-38 | KET | 2 | Working brake pressure switch | - | - |
| CD-42 | AMP | 3 | Pump pressure 1 | S816-003002 | - |
| CD-43 | AMP | 3 | Pump pressure 2 | S816-003002 | - |
| CD-44 | AMP | 3 | Pump pressure 3 | S816-003002 | - |

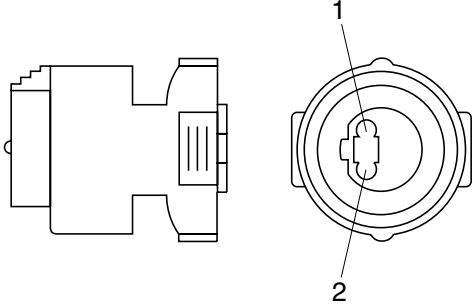
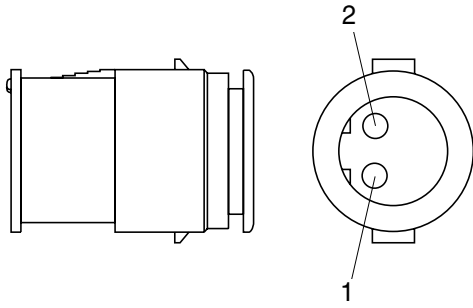
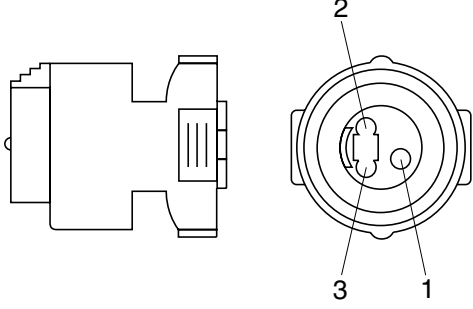
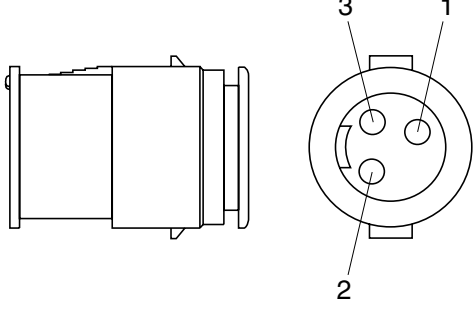
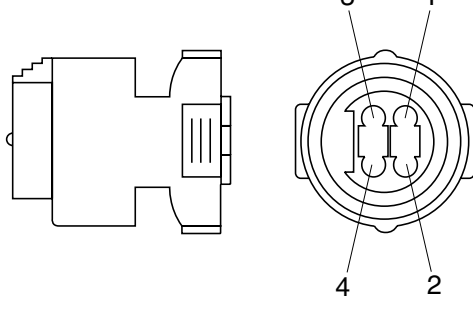
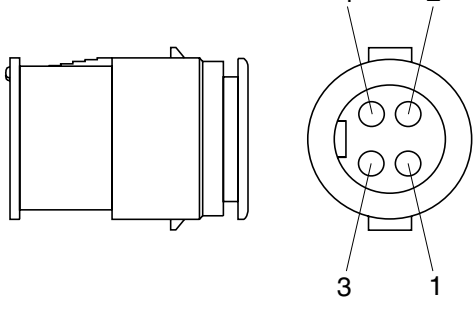
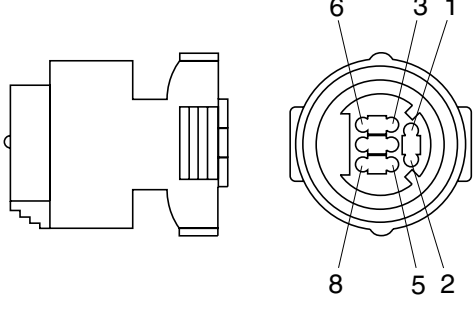
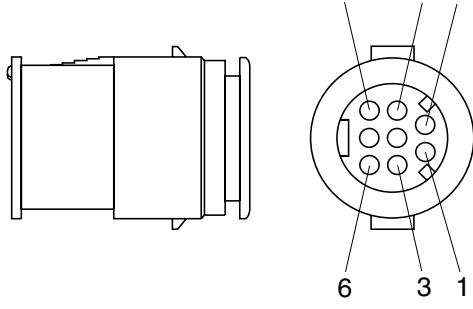
2. CONNECTION TABLE FOR CONNECTORS

1) PA TYPE CONNECTOR

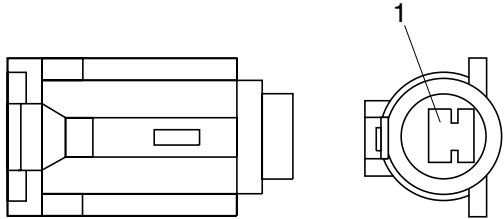
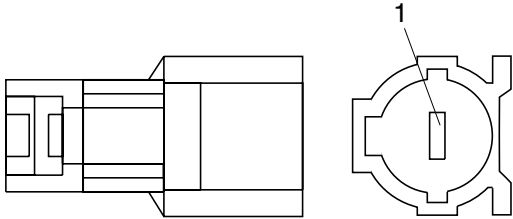
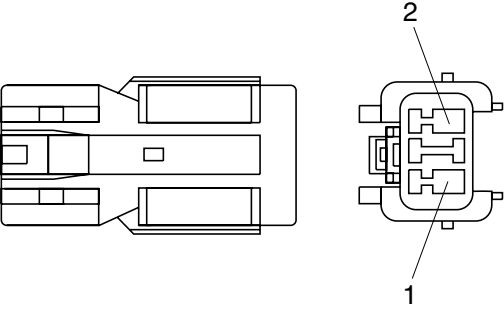
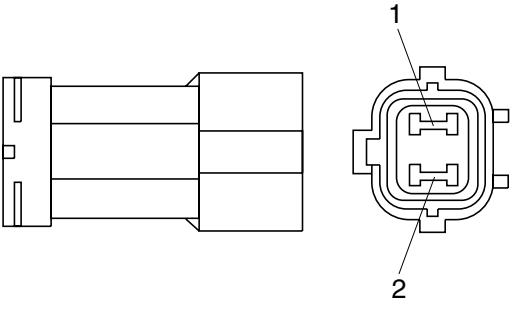
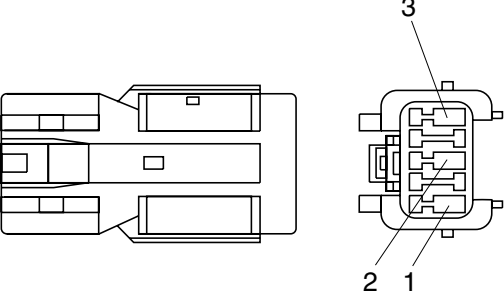
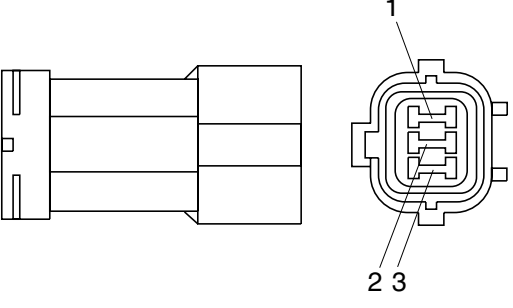
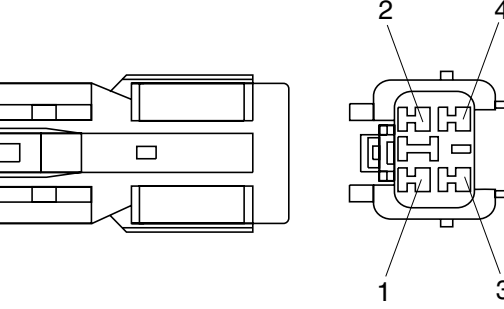
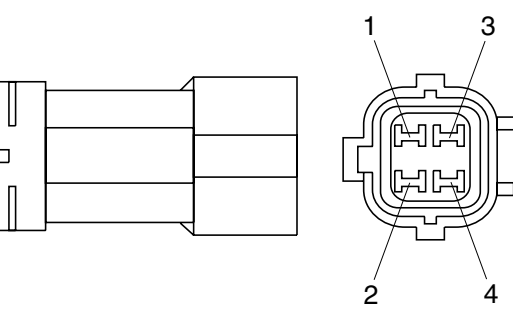
| No. of pin | Receptacle connector(Female) | Plug connector(Male) |
|------------|--|--|
| 5 |  <p style="text-align: center;">S811-005002</p> |  <p style="text-align: center;">S811-105002</p> |
| 7 |  <p style="text-align: center;">S811-007002</p> |  <p style="text-align: center;">S811-107002</p> |
| 9 |  <p style="text-align: center;">S811-009002</p> |  <p style="text-align: center;">3S811-109002</p> |
| 11 |  <p style="text-align: center;">S811-011002</p> |  <p style="text-align: center;">S811-111002</p> |

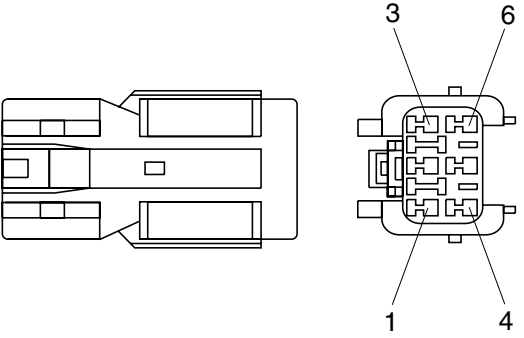
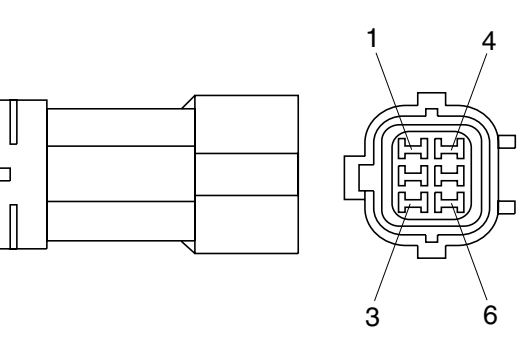
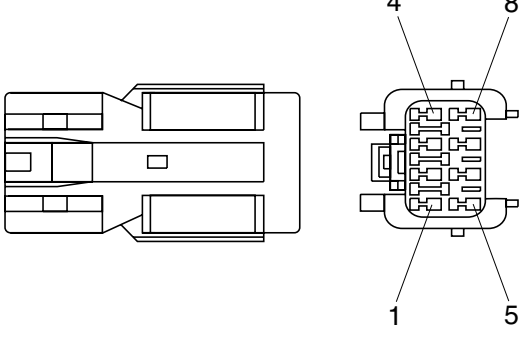
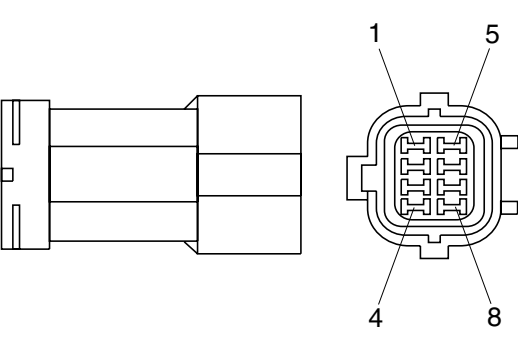
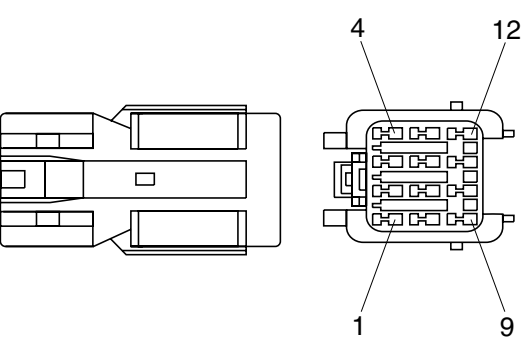
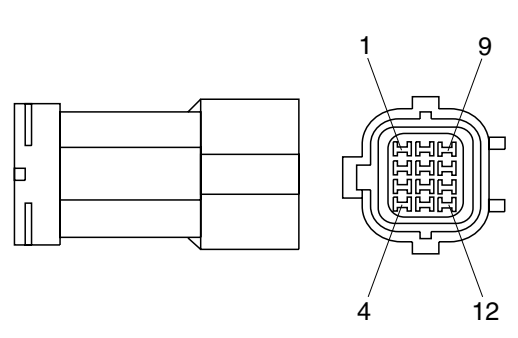
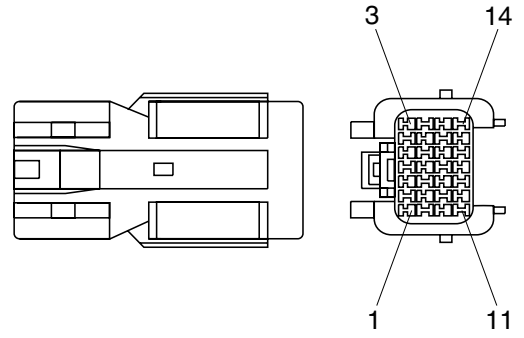
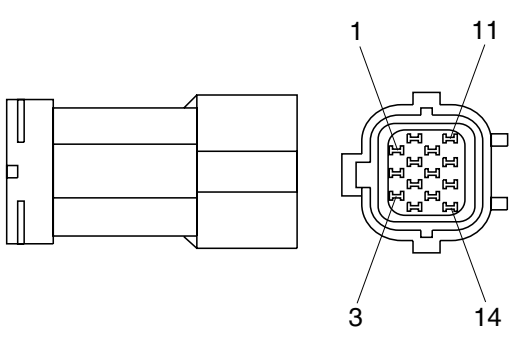
| No. of pin | Receptacle connector(Female) | Plug connector(Male) |
|------------|--|---|
| 13 |  <p data-bbox="691 633 839 663">S811-013002</p> |  <p data-bbox="1246 633 1394 663">S811-113002</p> |
| 17 |  <p data-bbox="691 1041 839 1070">S811-017002</p> |  <p data-bbox="1246 1041 1394 1070">S811-117002</p> |
| 21 |  <p data-bbox="691 1449 839 1478">S811-021002</p> |  <p data-bbox="1246 1449 1394 1478">S811-121002</p> |

2) J TYPE CONNECTOR

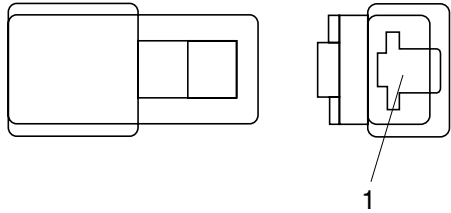
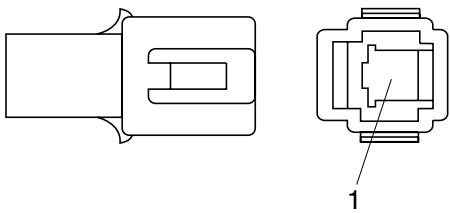
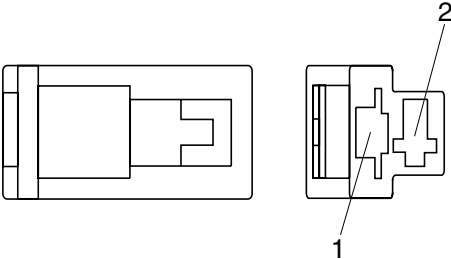
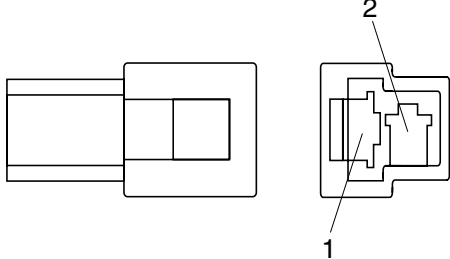
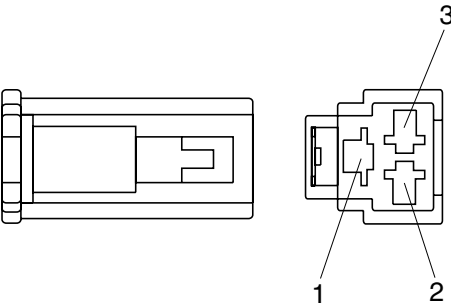
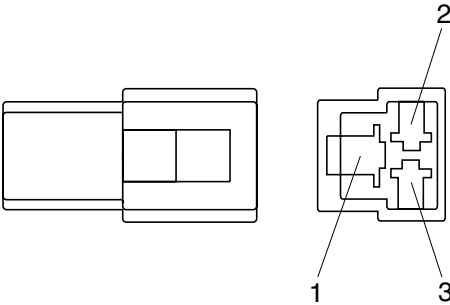
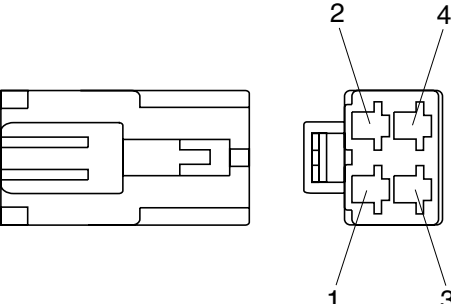
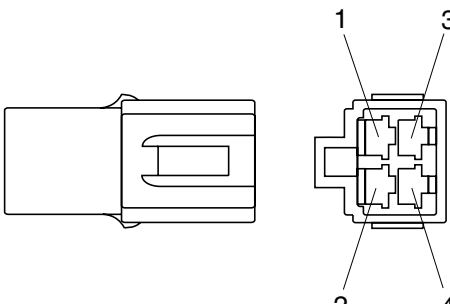
| No. of pin | Receptacle connector(Female) | Plug connector(Male) |
|------------|--|---|
| 2 |  <p style="text-align: center;">S816-002001</p> |  <p style="text-align: center;">S816-102001</p> |
| 3 |  <p style="text-align: center;">S816-003001</p> |  <p style="text-align: center;">S816-103001</p> |
| 4 |  <p style="text-align: center;">S816-004001</p> |  <p style="text-align: center;">S816-104001</p> |
| 8 |  <p style="text-align: center;">S816-008001</p> |  <p style="text-align: center;">S816-108001</p> |

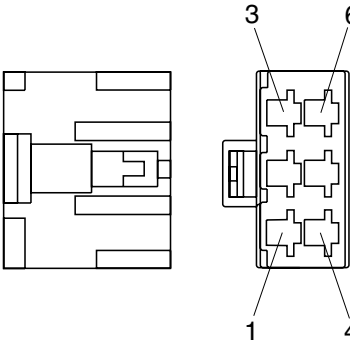
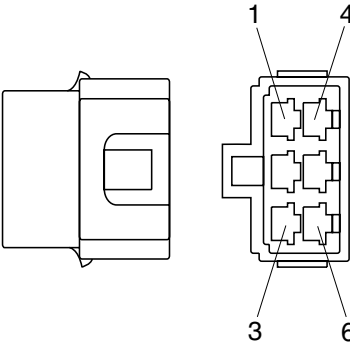
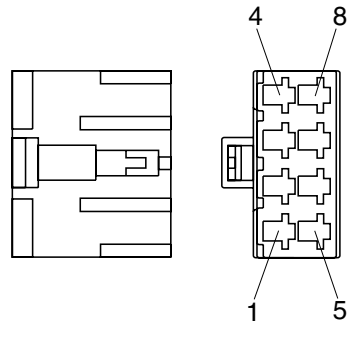
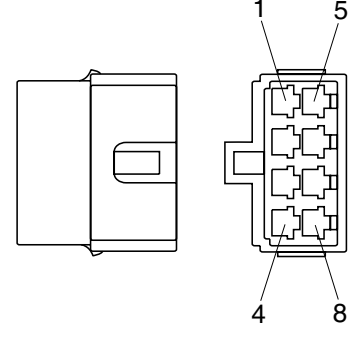
3) SWP TYPE CONNECTOR

| No. of pin | Receptacle connector(Female) | Plug connector(Male) |
|------------|--|---|
| 1 |  <p data-bbox="687 674 839 703">S814-001000</p> |  <p data-bbox="1246 674 1398 703">S814-101000</p> |
| 2 |  <p data-bbox="687 1077 839 1106">S814-002000</p> |  <p data-bbox="1246 1077 1398 1106">S814-102000</p> |
| 3 |  <p data-bbox="687 1487 839 1516">S814-003000</p> |  <p data-bbox="1246 1487 1398 1516">S814-103000</p> |
| 4 |  <p data-bbox="687 1883 839 1912">S814-004000</p> |  <p data-bbox="1246 1883 1398 1912">S814-104000</p> |

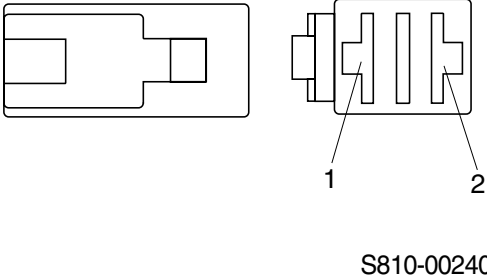
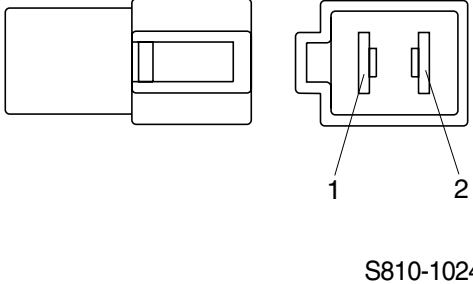
| No. of pin | Receptacle connector(Female) | Plug connector(Male) |
|------------|--|---|
| 6 |  <p data-bbox="686 627 837 660">S814-006000</p> |  <p data-bbox="1244 627 1396 660">S814-106000</p> |
| 8 |  <p data-bbox="686 1041 837 1075">S814-008000</p> |  <p data-bbox="1244 1041 1396 1075">S814-108000</p> |
| 12 |  <p data-bbox="686 1444 837 1478">S814-012000</p> |  <p data-bbox="1244 1444 1396 1478">S814-112000</p> |
| 14 |  <p data-bbox="686 1848 837 1881">S814-014000</p> |  <p data-bbox="1244 1848 1396 1881">S814-114000</p> |

4) CN TYPE CONNECTOR

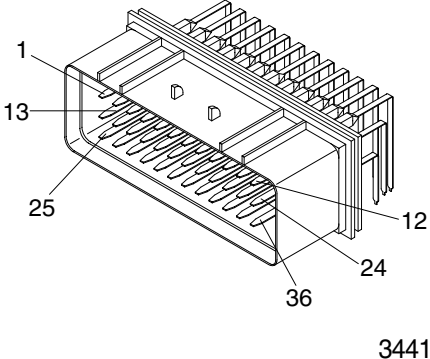
| No. of pin | Receptacle connector(Female) | Plug connector(Male) |
|------------|--|---|
| 1 |  <p style="text-align: center;">S810-001202</p> |  <p style="text-align: center;">S810-101202</p> |
| 2 |  <p style="text-align: center;">S810-002202</p> |  <p style="text-align: center;">S810-102202</p> |
| 3 |  <p style="text-align: center;">S810-003202</p> |  <p style="text-align: center;">S810-103202</p> |
| 4 |  <p style="text-align: center;">S810-004202</p> |  <p style="text-align: center;">S810-104202</p> |

| No. of pin | Receptacle connector(Female) | Plug connector(Male) |
|------------|---|--|
| 6 |  <p data-bbox="686 627 837 660">S810-006202</p> |  <p data-bbox="1244 627 1396 660">S810-106202</p> |
| 8 |  <p data-bbox="686 1041 837 1075">S810-008202</p> |  <p data-bbox="1244 1041 1396 1075">S810-108202</p> |

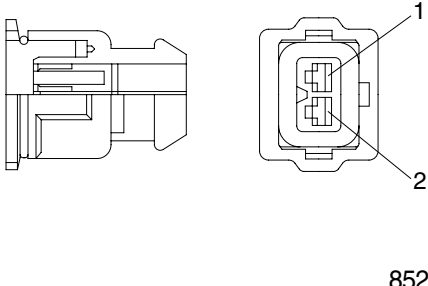
5) 375 FASTEN TYPE CONNECTOR

| No. of pin | Receptacle connector(Female) | Plug connector(Male) |
|------------|--|---|
| 2 |  <p style="text-align: center;">S810-002402</p> |  <p style="text-align: center;">S810-102402</p> |

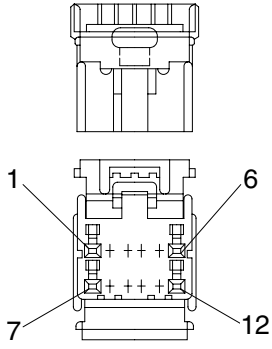
6) AMP ECONOSEAL CONNECTOR

| No. of pin | Receptacle connector(Female) | Plug connector(Male) |
|------------|--|---|
| 36 |  <p style="text-align: center;">344111-1</p> |  <p style="text-align: center;">344108-1</p> |

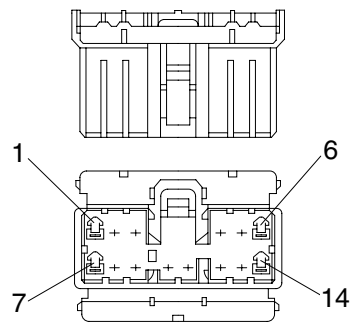
7) AMP TIMER CONNECTOR

| No. of pin | Receptacle connector(Female) | Plug connector(Male) |
|------------|--|----------------------|
| 2 |  <p style="text-align: center;">85202-1</p> | |

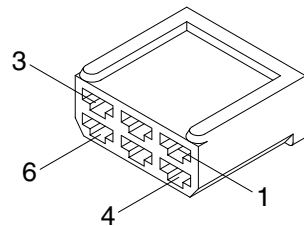
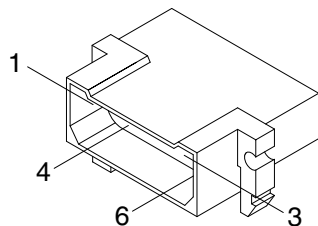
8) AMP 040 MULTILOCK CONNECTOR

| No. of pin | Receptacle connector(Female) | Plug connector(Male) |
|------------|--|----------------------|
| 12 |  <p style="text-align: right;">174045-2</p> | |

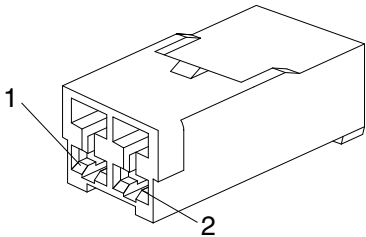
9) AMP 070 MULTILOCK CONNECTOR

| No. of pin | Receptacle connector(Female) | Plug connector(Male) |
|------------|---|----------------------|
| 14 |  <p style="text-align: right;">173852</p> | |

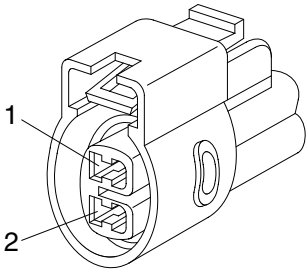
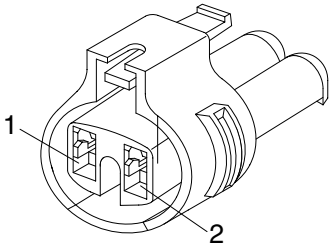
10) AMP FASTIN - FASTON CONNECTOR

| No. of pin | Receptacle connector(Female) | Plug connector(Male) |
|------------|--|---|
| 6 |  <p style="text-align: right;">925276-0</p> |  <p style="text-align: right;">480003-9</p> |

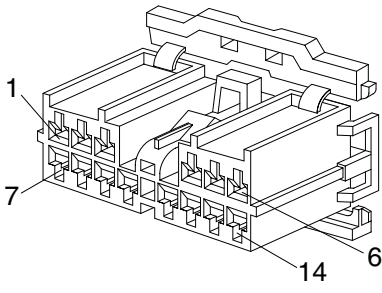
11) KET 090 CONNECTOR

| No. of pin | Receptacle connector(Female) | Plug connector(Male) |
|------------|---|----------------------|
| 2 |  <p data-bbox="715 674 839 703">MG610070</p> | |

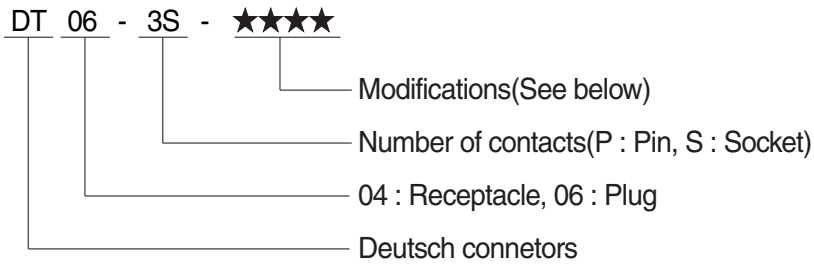
12) KET 090 WP CONNECTORS

| No. of pin | Receptacle connector(Female) | Plug connector(Male) |
|------------|---|----------------------|
| 2 |  <p data-bbox="715 1279 839 1308">MG640605</p> | |
| 2 |  <p data-bbox="715 1686 839 1715">MG640795</p> | |

13) KET SDL CONNECTOR

| No. of pin | Receptacle connector(Female) | Plug connector(Male) |
|------------|--|----------------------|
| 14 |  <p style="text-align: right;">MG610406</p> | |

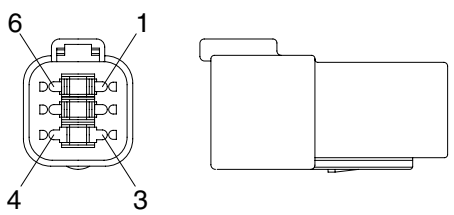
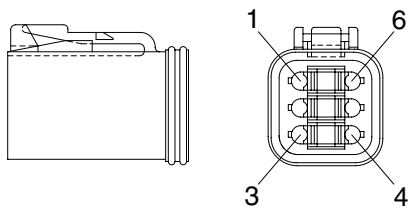
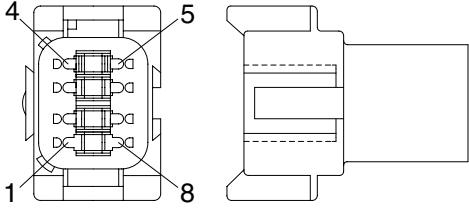
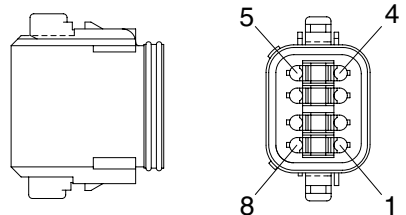
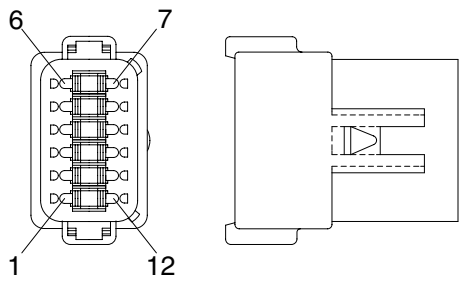
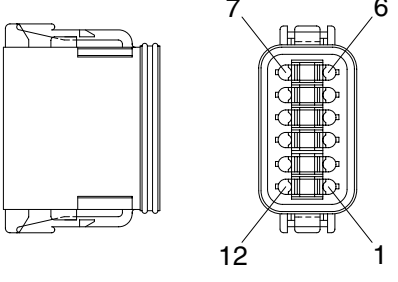
14) DEUTSCH DT CONNECTORS



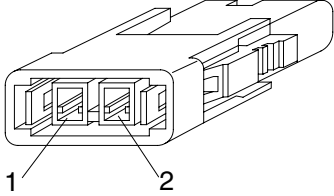
※ Modification

- E003 : Standard end cap - gray
- E004 : Color of connector to be black
- E005 : Combination - E004 & E003
- EP04 : End cap
- EP06 : Combination P012 & EP04
- P012 : Front seal enhancement - connectors color to black for 2, 3, 4 & 6pin

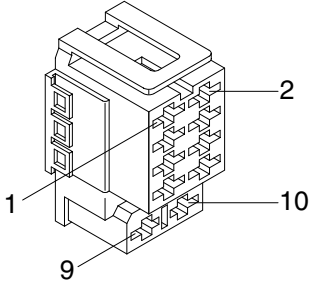
| No. of pin | Receptacle connector(Female) | Plug connector(Male) |
|------------|---|---|
| 2 | <p style="text-align: right;">DT06-2S</p> | <p style="text-align: right;">DT04-2P</p> |
| 3 | <p style="text-align: right;">DT06-3S</p> | <p style="text-align: right;">DT04-3P</p> |
| 4 | <p style="text-align: right;">DT06-4S</p> | <p style="text-align: right;">DT04-4P</p> |

| No. of pin | Receptacle connector(Female) | Plug connector(Male) |
|------------|--|---|
| 6 |  <p style="text-align: right;">DT06-6S</p> |  <p style="text-align: right;">DT04-6P</p> |
| 8 |  <p style="text-align: right;">DT06-8S</p> |  <p style="text-align: right;">DT04-8P</p> |
| 12 |  <p style="text-align: right;">DT06-12S</p> |  <p style="text-align: right;">DT04-12P</p> |

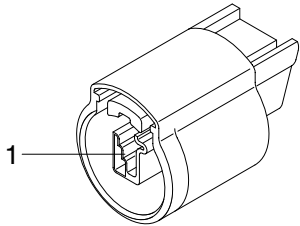
15) MOLEX 2CKTS CONNECTOR

| No. of pin | Receptacle connector(Female) | Plug connector(Male) |
|------------|---|----------------------|
| 2 |  <p data-bbox="703 674 839 703">35215-0200</p> | |

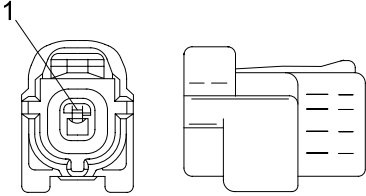
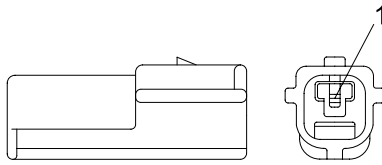
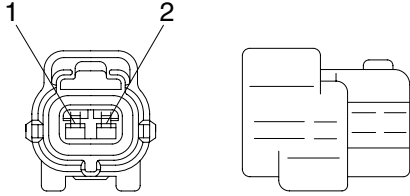
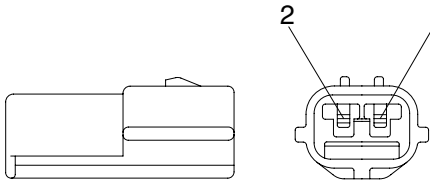
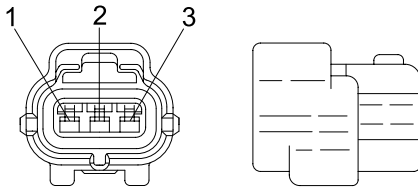
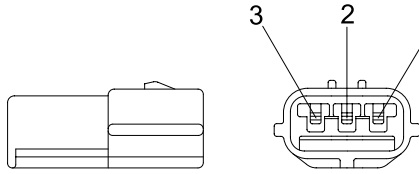
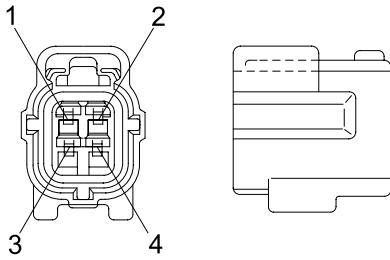
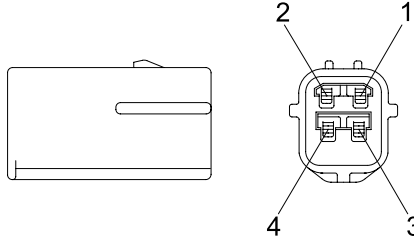
16) ITT SWF CONNECTOR

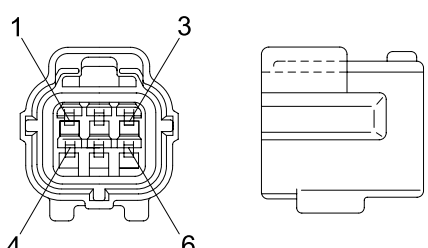
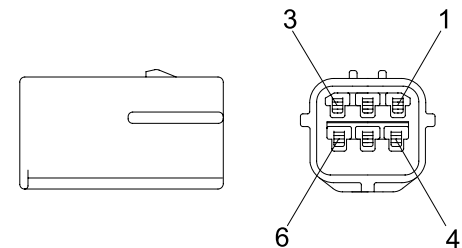
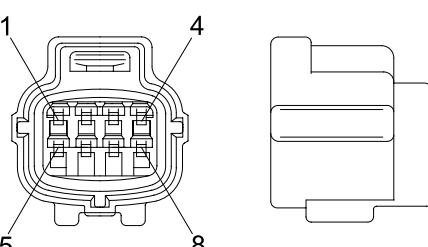
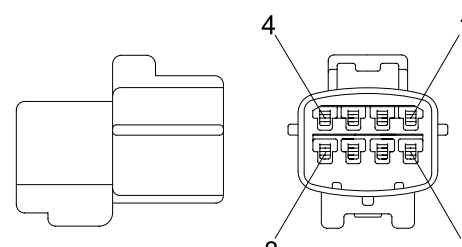
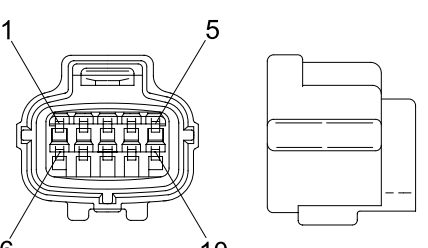
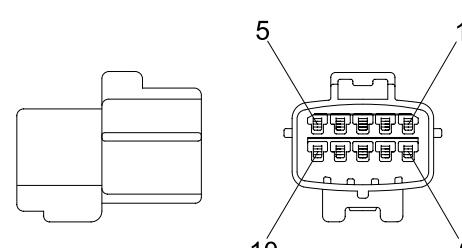
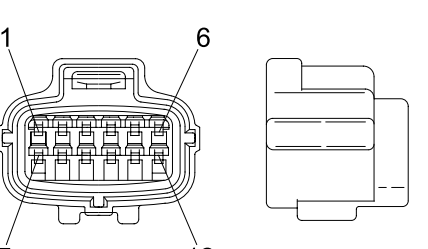
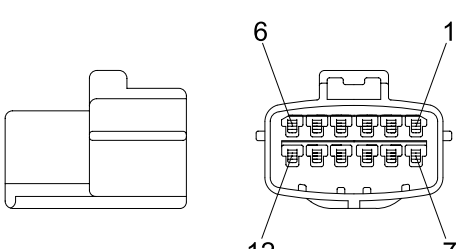
| No. of pin | Receptacle connector(Female) | Plug connector(Male) |
|------------|---|----------------------|
| 10 |  <p data-bbox="699 1279 839 1308">SWF593757</p> | |

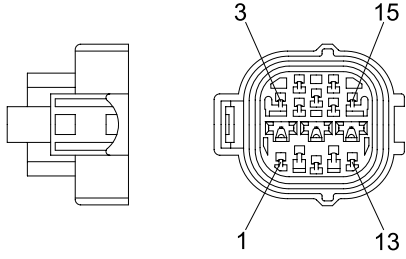
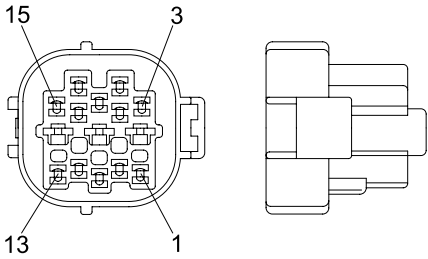
17) MWP NMWP CONNECTOR

| No. of pin | Receptacle connector(Female) | Plug connector(Male) |
|------------|--|----------------------|
| 1 |  <p data-bbox="689 1883 839 1912">NMWP01F-B</p> | |

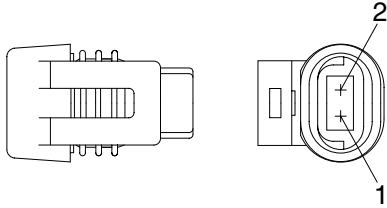
18) ECONOSEAL J TYPE CONNECTORS

| No. of pin | Receptacle connector(Female) | Plug connector(Male) |
|------------|--|---|
| 1 |  <p style="text-align: center;">S816-001002</p> |  <p style="text-align: center;">S816-101002</p> |
| 2 |  <p style="text-align: center;">S816-002002</p> |  <p style="text-align: center;">S816-102002</p> |
| 3 |  <p style="text-align: center;">S816-003002</p> |  <p style="text-align: center;">S816-103002</p> |
| 4 |  <p style="text-align: center;">S816-004002</p> |  <p style="text-align: center;">S816-104002</p> |

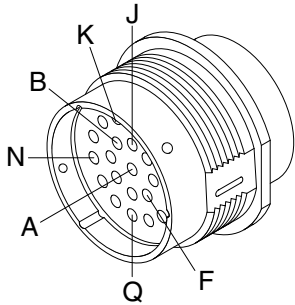
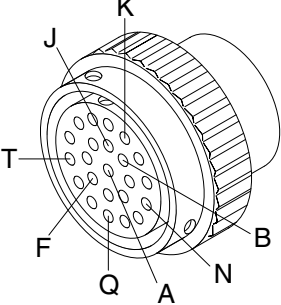
| No. of pin | Receptacle connector(Female) | Plug connector(Male) |
|------------|--|---|
| 6 |  <p data-bbox="686 627 837 660">S816-006002</p> |  <p data-bbox="1244 627 1396 660">S816-106002</p> |
| 8 |  <p data-bbox="686 1030 837 1064">S816-008002</p> |  <p data-bbox="1244 1030 1396 1064">S816-108002</p> |
| 10 |  <p data-bbox="686 1433 837 1467">S816-010002</p> |  <p data-bbox="1244 1433 1396 1467">S816-110002</p> |
| 12 |  <p data-bbox="686 1836 837 1870">S816-012002</p> |  <p data-bbox="1244 1836 1396 1870">S816-112002</p> |

| No. of pin | Receptacle connector(Female) | Plug connector(Male) |
|------------|---|---|
| 15 |  <p data-bbox="730 629 836 658">368301-1</p> |  <p data-bbox="1278 629 1383 658">2-85262-1</p> |

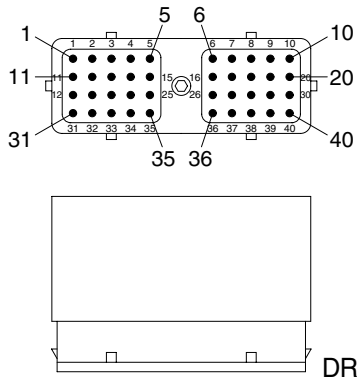
19) METRI-PACK TYPE CONNECTOR

| No. of pin | Receptacle connector(Female) | Plug connector(Male) |
|------------|--|----------------------|
| 2 |  <p data-bbox="727 1234 833 1263">12040753</p> | |

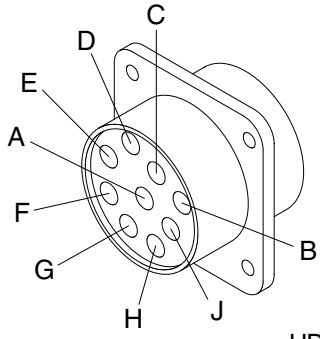
20) DEUTSCH HD30 CONNECTOR

| No. of pin | Receptacle connector(Female) | Plug connector(Male) |
|------------|---|--|
| 23 |  <p data-bbox="667 1839 836 1868">HD36-24-23SN</p> |  <p data-bbox="1222 1839 1391 1868">HD34-24-23PN</p> |

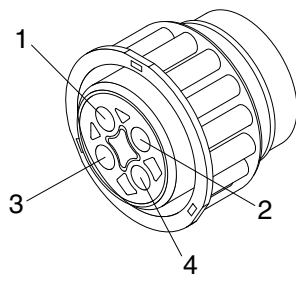
21) DEUTSCH DRC CONNECTOR

| No. of pin | Receptacle connector(Female) | Plug connector(Male) |
|------------|---|----------------------|
| 40 |  <p style="text-align: right;">DRC18-40SAE</p> | |

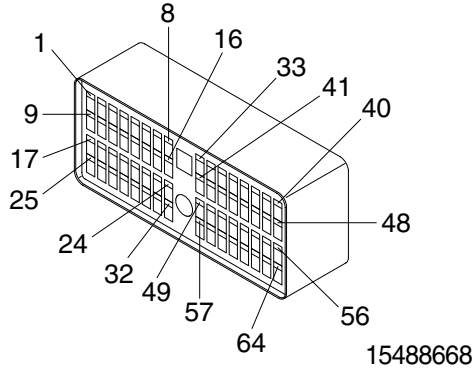
22) DEUTSCH SERVICE TOOL CONNECTOR

| No. of pin | Receptacle connector(Female) | Plug connector(Male) |
|------------|---|----------------------|
| 9 |  <p style="text-align: right;">HD10-9-96P</p> | |

23) DELPHI CONNECTOR

| No. of pin | Receptacle connector(Female) | Plug connector(Male) |
|------------|--|----------------------|
| 4 |  <p style="text-align: right;">2-967325-3</p> | |

24) DEUTSCH ENGINE ECM CONNECTOR

| No. of pin | Receptacle connector(Female) | Plug connector(Male) |
|------------|---|----------------------|
| 64 |  | |