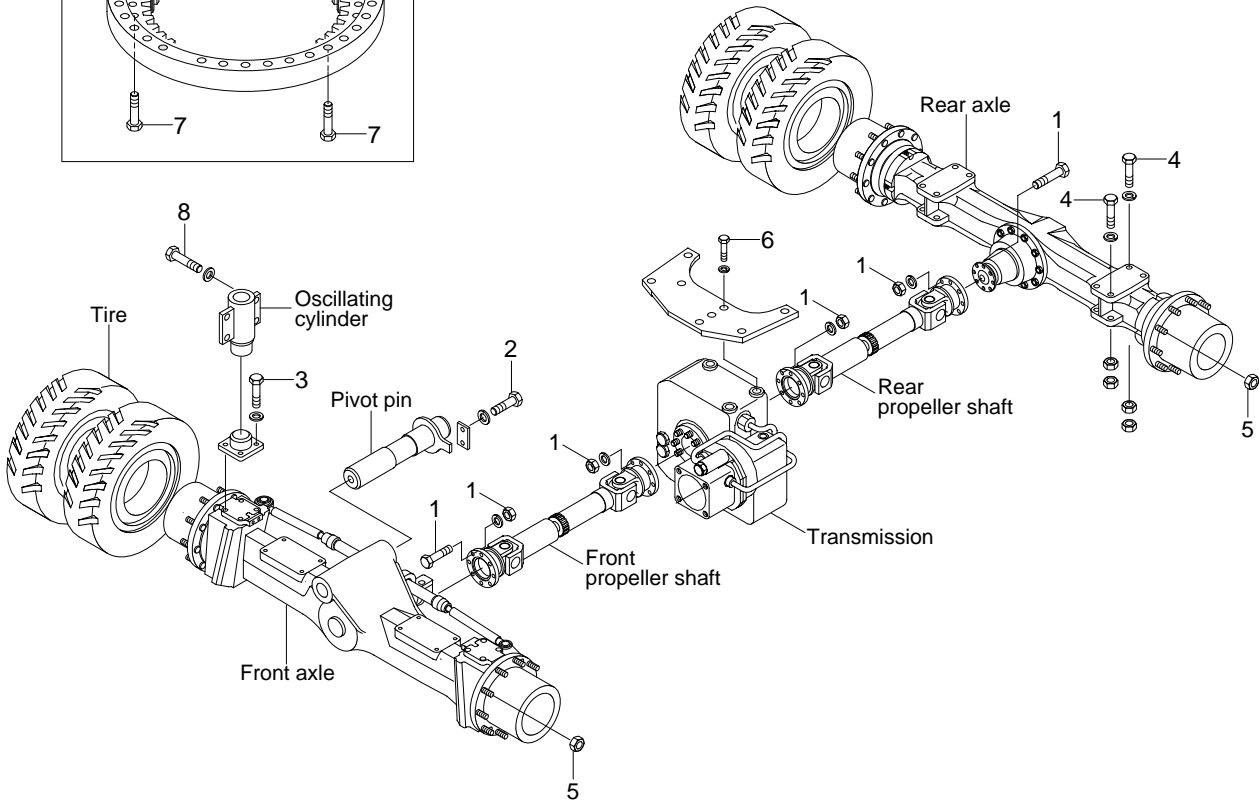
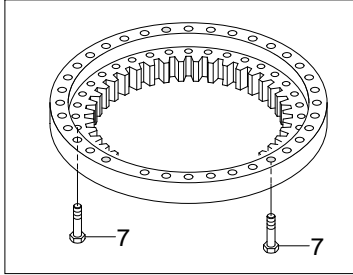


# GROUP 5 POWER TRAIN SYSTEM

Swing bearing



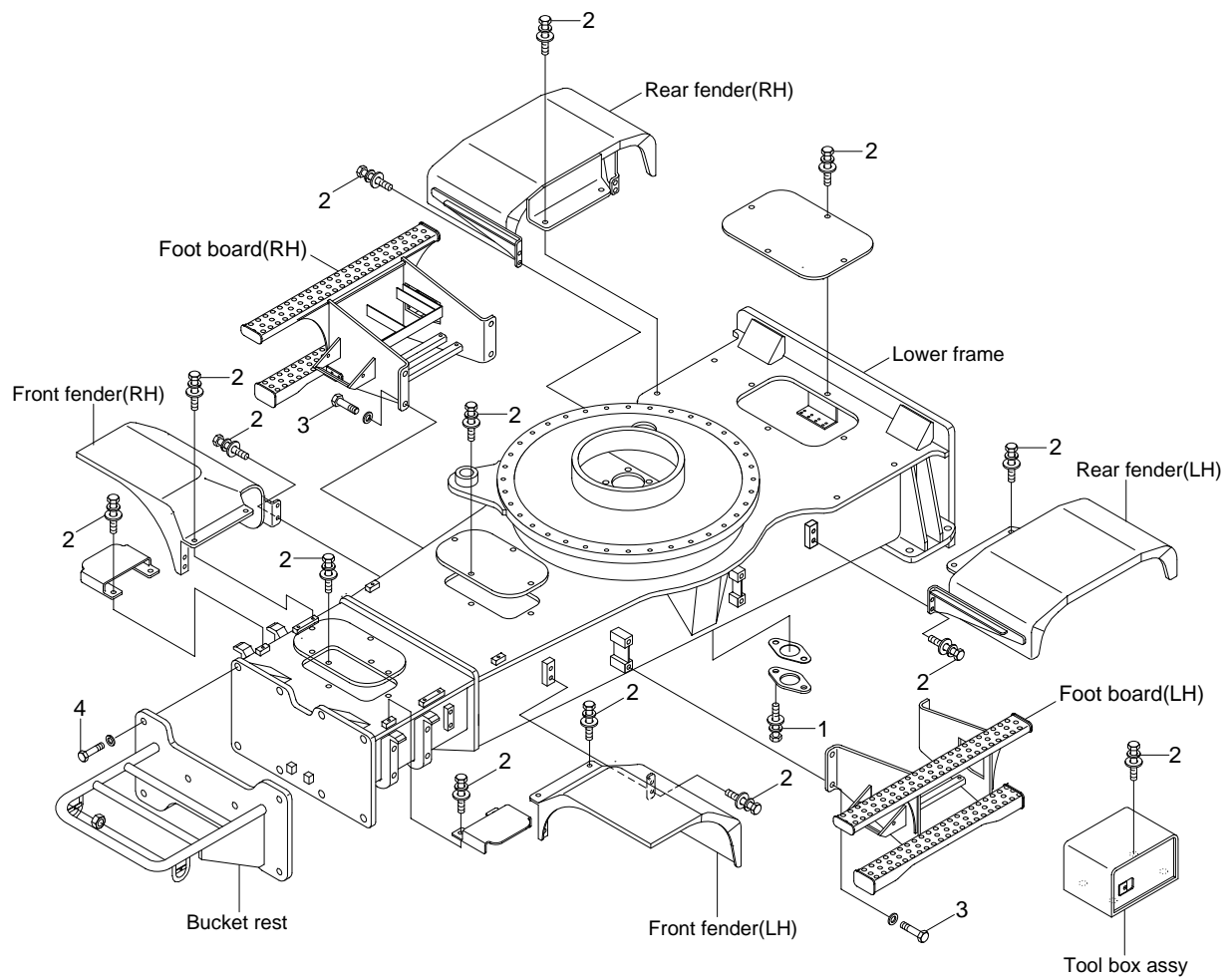
17W79CM08

· Tightening torque

Item	Size	kgf · m	lbf · ft
1	M10 × 1.25	5.9 ± 0.6	42.7 ± 4.3
2	M12 × 1.75	12.8 ± 3.0	92.6 ± 121.7
3	M16 × 2.0	29.6 ± 3.2	214 ± 23
4	M20 × 1.5	58 ± 6.3	420 ± 4.6

Item	Size	kgf · m	lbf · ft
5	M20 × 1.5	60 ± 0.5	434 ± 3.6
6	M20 × 2.5	44 ± 2.0	318 ± 14.4
7	M20 × 2.5	57.8 ± 6.4	418 ± 46.3
8	M22 × 1.5	83.2 ± 9.2	602 ± 66.5

## COVER AND FOOT BOARD



17W79CM09

### · Tightening torque

Item	Size	kgf · m	lbf · ft
1	M10 × 1.5	6.9 ± 1.4	49.9 ± 10.1
2	M12 × 1.75	12.8 ± 3.0	92.6 ± 21.7

Item	Size	kgf · m	lbf · ft
3	M20 × 2.5	57.9 ± 8.7	419 ± 62.9
4	M30 × 3.5	199 ± 30	1439 ± 217