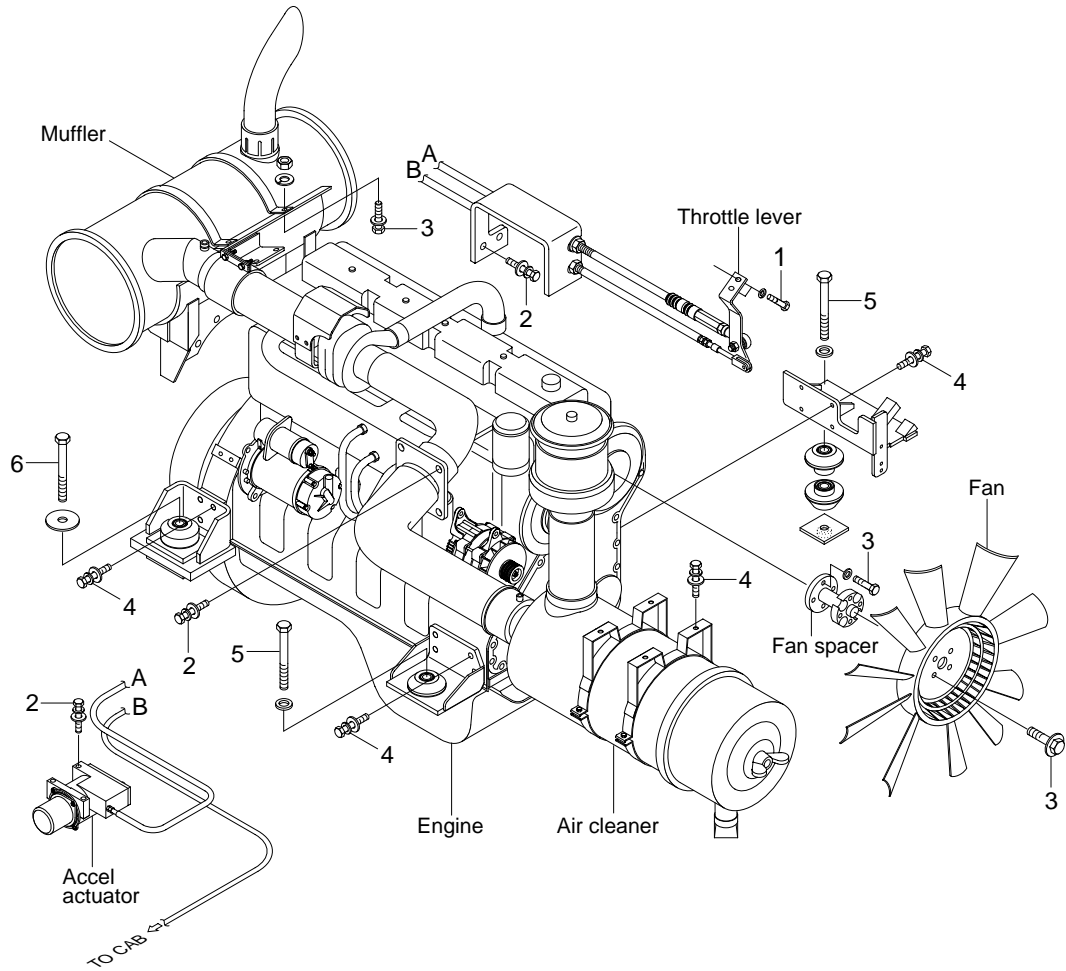


GROUP 2 ENGINE SYSTEM

ENGINE AND ACCESSORIES MOUNTING



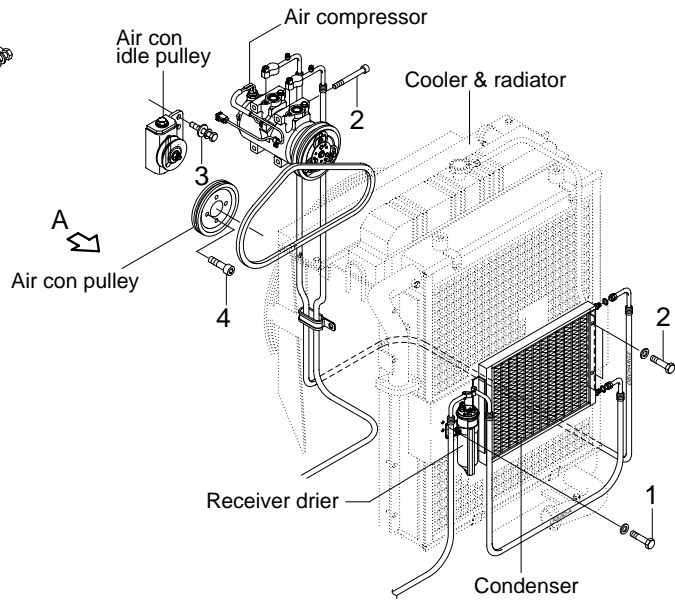
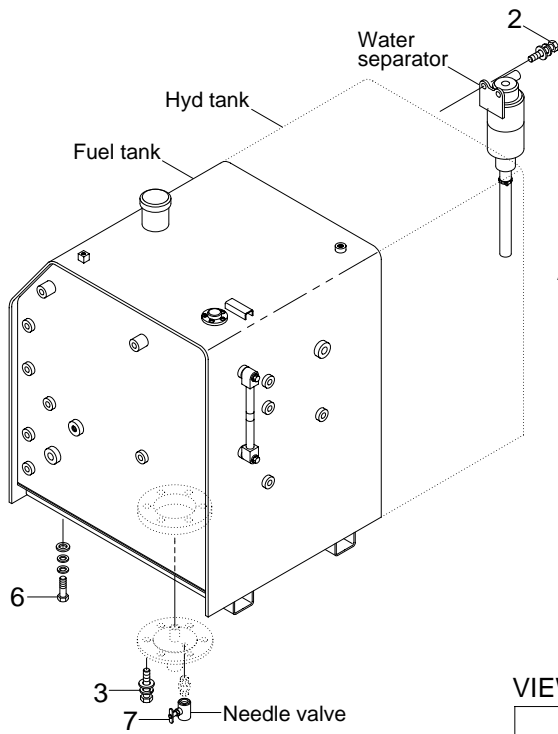
17W79CM01

· Tightening torque

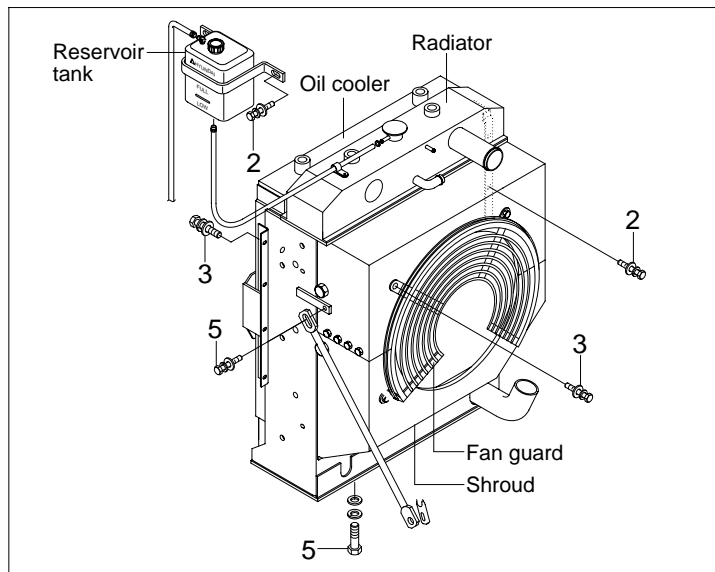
| Item | Size | kgf · m | lbf · ft |
|------|------------|------------|-------------|
| 1 | M 6 × 1.0 | 1.05 ± 0.2 | 7.6 ± 1.4 |
| 2 | M 8 × 1.25 | 2.5 ± 0.5 | 18.1 ± 3.6 |
| 3 | M10 × 1.5 | 6.9 ± 1.4 | 49.9 ± 10.1 |

| Item | Size | kgf · m | lbf · ft |
|------|------------|------------|-------------|
| 4 | M12 × 1.75 | 10.0 ± 2.0 | 72.3 ± 14.5 |
| 5 | M12 × 1.75 | 30.0 ± 3.5 | 217 ± 25.3 |
| 6 | M12 × 1.75 | 55.0 ± 3.5 | 398 ± 25.3 |

COOLING SYSTEM AND FUEL TANK MOUNTING



VIEW A



17W79CM02

· Tightening torque

| Item | Size | kgf · m | lbf · ft |
|------|------------|------------|-------------|
| 1 | M 6 × 1.0 | 1.05 ± 0.2 | 7.6 ± 1.45 |
| 2 | M 8 × 1.25 | 2.5 ± 0.5 | 18.1 ± 3.6 |
| 3 | M10 × 1.5 | 6.9 ± 1.4 | 49.9 ± 10.1 |
| 4 | M10 × 1.5 | 8.27 ± 1.7 | 59.8 ± 12.3 |

| Item | Size | kgf · m | lbf · ft |
|------|------------|------------|-------------|
| 5 | M12 × 1.75 | 12.8 ± 3.0 | 92.6 ± 21.7 |
| 6 | M20 × 2.5 | 46 ± 5.1 | 333 ± 36.9 |
| 7 | - | 2.3 ± 0.6 | 16.6 ± 4.3 |
| - | - | - | - |