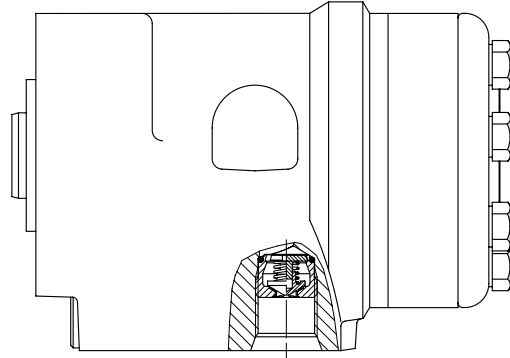
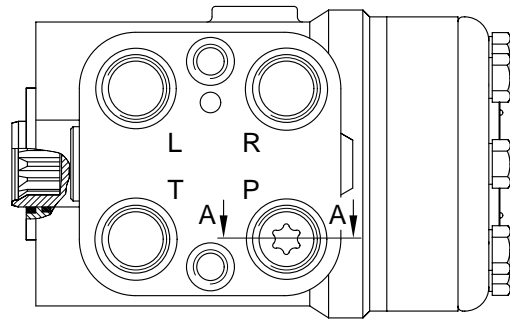
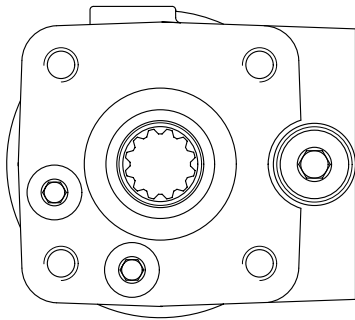


GROUP 10 STEERING VALVE

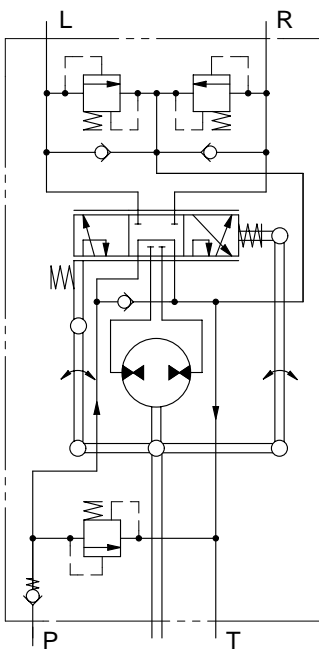
1. STRUCTURE



Section A-A



17032SV01

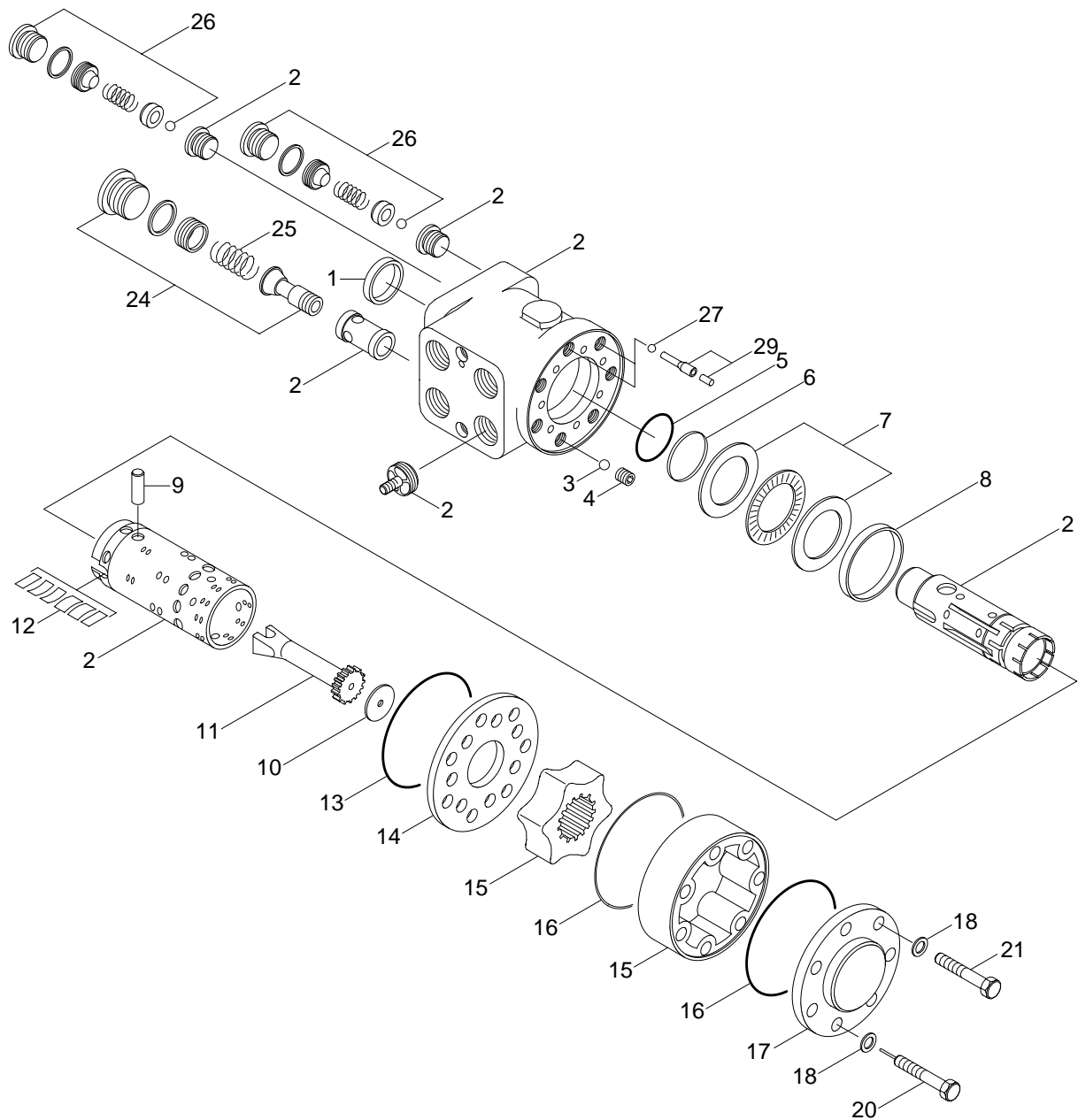


Hydraulic circuit

17032SV01

Port	Port name	Port size
L	Left port	3/4-16UNF
R	Right port	
T	Tank port	
P	Pump port	

2. COMPONENTS



20W72STV01

- | | | | | | |
|---|----------------|----|-------------------|----|-----------------------|
| 1 | Dust seal ring | 10 | Spacer | 18 | Washer |
| 2 | *Housing assy | 11 | Shaft | 20 | Pin screw |
| 3 | Ball | 12 | Spring set | 21 | Screw |
| 4 | Bushing | 13 | O-ring | 24 | Pressure relief valve |
| 5 | O-ring | 14 | Distributor plate | 25 | Wire spring |
| 6 | Kin-ring | 15 | Gear wheel set | 26 | Shock valve |
| 7 | Bearing assy | 16 | O-ring | 27 | Ball |
| 8 | Ring | 17 | End cover | 29 | Bushing |
| 9 | Cross pin | | | | |