

GROUP 5 SWING DEVICE

1. REMOVAL AND INSTALL OF MOTOR

1) REMOVAL

- (1) Lower the work equipment to the ground and stop the engine.
- (2) Operate the control levers and pedals several times to release the remaining pressure in the hydraulic piping.
- (3) Loosen the breather slowly to release the pressure inside the hydraulic tank.

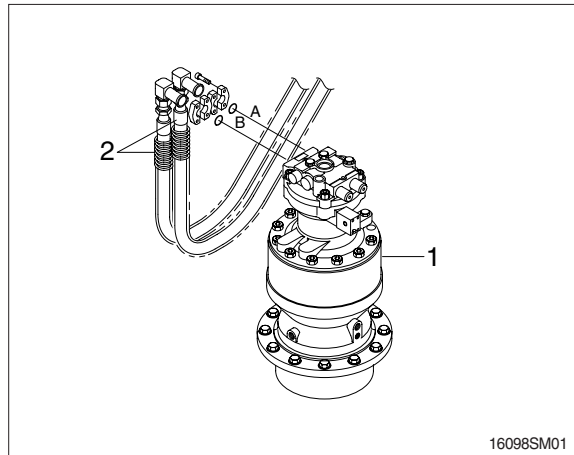
▲ Escaping fluid under pressure can penetrate the skin causing serious injury.

※ When pipes and hoses are disconnected, the oil inside the piping will flow out, so catch it in oil pan.

- (4) Disconnect hose assembly (2).
- (5) Disconnect pilot line hoses (3, 4, 5, 6, 7, 8).
- (6) Sling the swing motor assembly (1) and remove the swing motor mounting socket bolts (9).

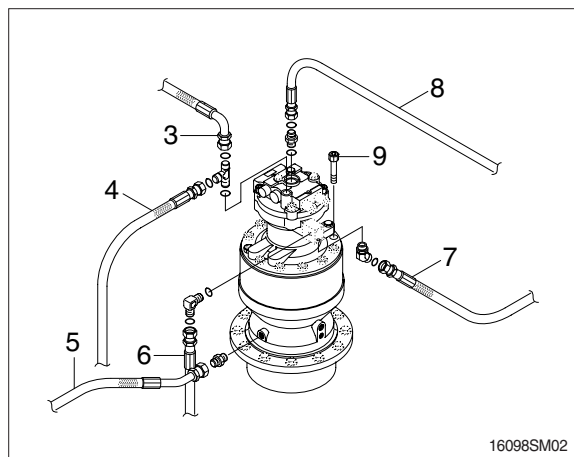
· Motor device weight : 61kg (135lb)

- (7) Remove the swing motor assembly.
※ When removing the swing motor assembly, check that all the piping have been disconnected.



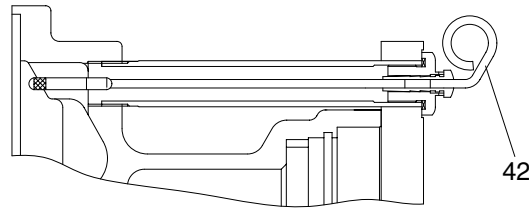
2) INSTALL

- (1) Carry out installation in the reverse order to removal.
- (2) Bleed the air from the swing motor.
 - ① Remove the air vent plug.
 - ② Pour in hydraulic oil until it overflows from the port.
 - ③ Tighten plug lightly.
 - ④ Start the engine, run at low idling and check oil come out from plug.
 - ⑤ Tighten plug fully.
- (3) Confirm the hydraulic oil level and check the hydraulic oil leak or not.

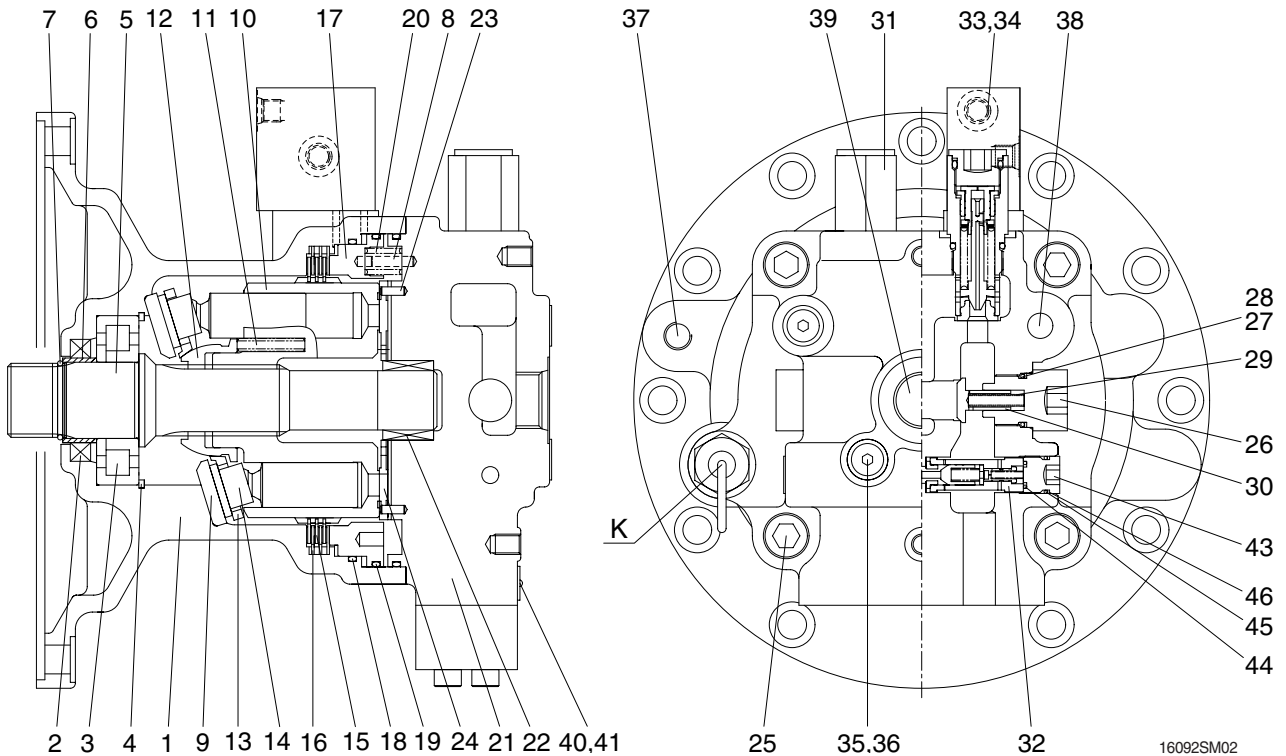


2. DISASSEMBLY AND ASSEMBLY OF SWING MOTOR

1) STRUCTURE



DETAIL K



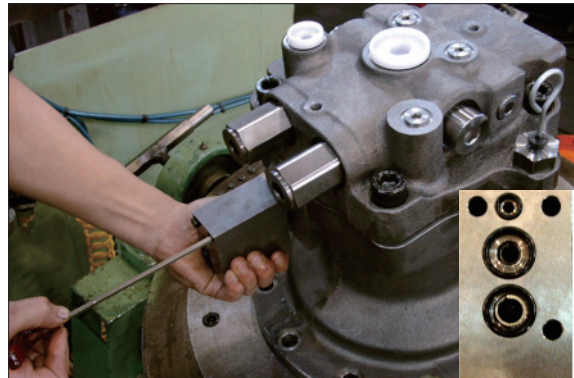
16092SM02

- | | | |
|-------------------|-------------------------|---------------------|
| 1 Body | 17 Brake piston | 33 Time delay valve |
| 2 Oil seal | 18 O-ring | 34 Wrench bolt |
| 3 Roller bearing | 19 O-ring | 35 Plug |
| 4 Snap ring | 20 Brake spring | 36 O-ring |
| 5 Shaft | 21 Rear cover | 37 Plug |
| 6 Bushing | 22 Needle bearing | 38 Plug |
| 7 Stop ring | 23 Pin | 39 Plug |
| 8 Pin | 24 Valve plate | 40 Name plate |
| 9 Shoe plate | 25 Wrench bolt | 41 Rivet |
| 10 Cylinder block | 26 Plug | 42 Level gauge |
| 11 Spring | 27 Back up ring | 43 Plug |
| 12 Ball guide | 28 O-ring | 44 O-ring |
| 13 Set plate | 29 Spring | 45 O-ring |
| 14 Piston assy | 30 Check | 46 Back up ring |
| 15 Friction plate | 31 Relief valve | |
| 16 Separate plate | 32 Anti-inversion valve | |

2) DISASSEMBLING

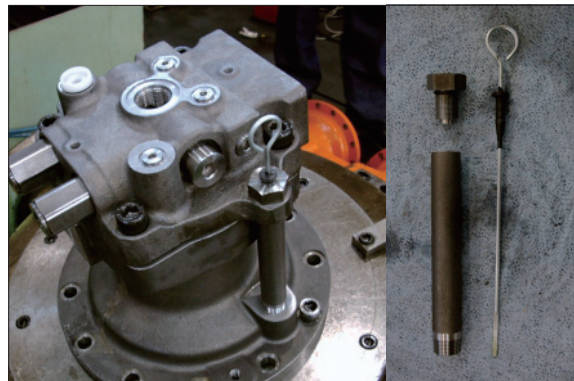
(1) Disassemble the sub of a TURNING AXIS

- ① Unloosing wrench bolt and disassemble time delay valve assy (33) from rear cover (21)



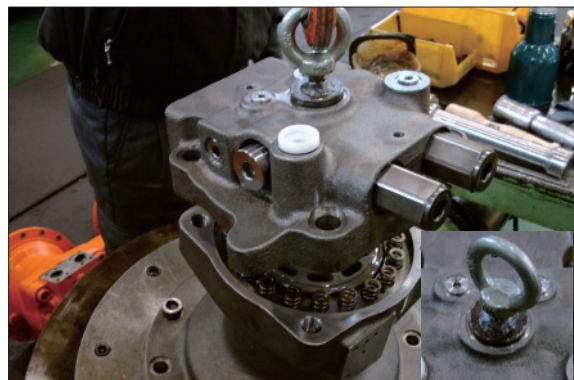
14078SM201/201A

- ② Disassemble level gauge (42) from body (1).



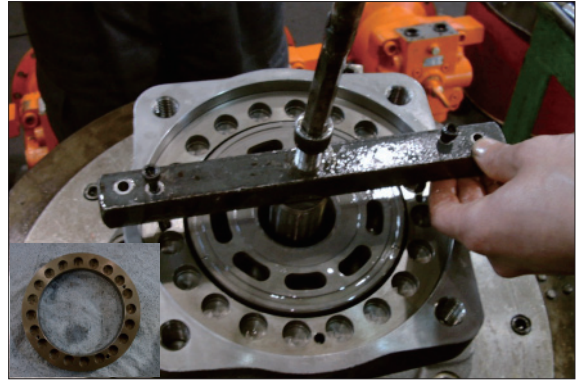
14078SM202/202A

- ③ Hang rear cover (21) on hoist, unloose wrench bolt (25) and disassemble from body (1).



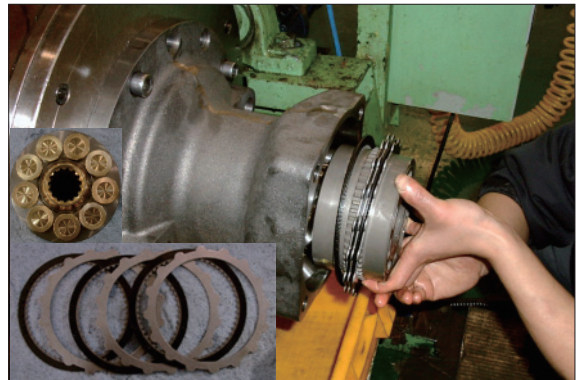
14078SM203/203A

- ④ Using a jig, disassemble brake piston (17) from body (1).



14078SM204/204A

- ⑤ Disassemble respectively cylinder block assy, friction plate (15), separate plate (16) from body (1).



14078SM205/205A/B

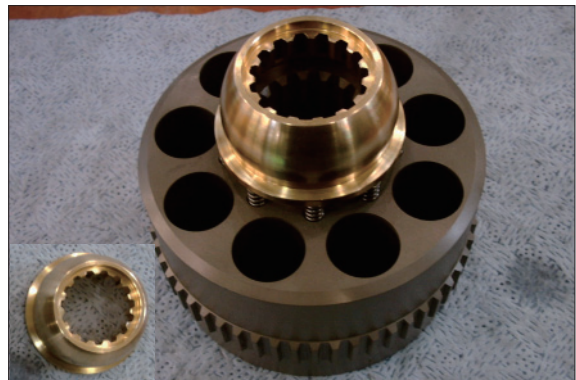
(2) Disassemble cylinder block assy sub

- ① Disassemble piston assy (14), set plate (13) from cylinder block assy.



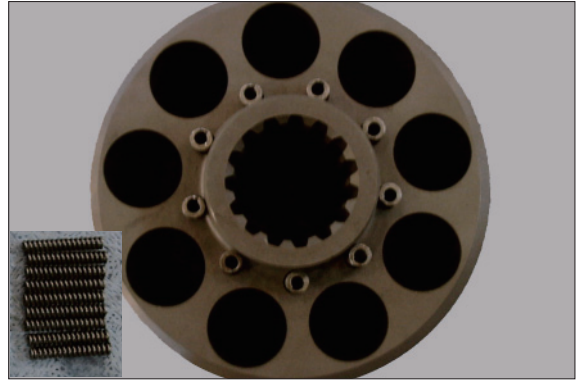
14078SM206/205B

- ② Disassemble ball guide (12) from cylinder block (10).



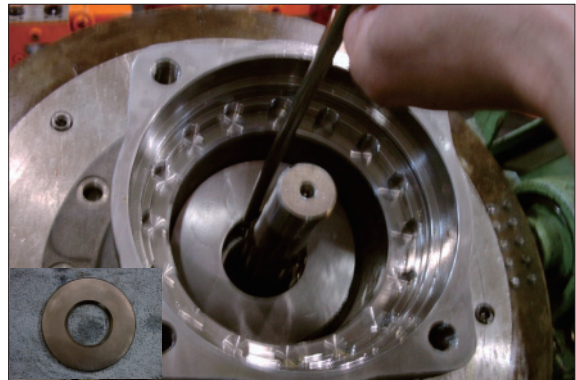
14078SM207/207A

- ③ Disassemble spring (11) from cylinder block (10).



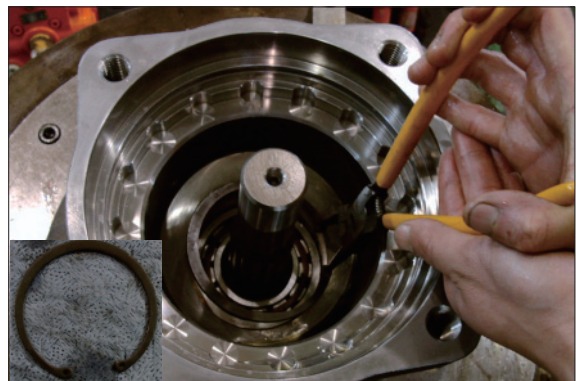
14078SM208/208A

- ④ Disassemble shoe plate (9) from body (1).



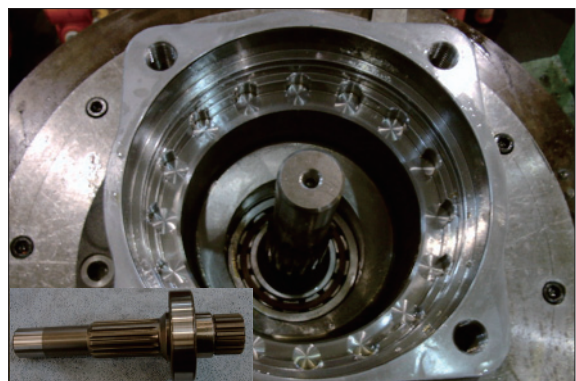
14078SM209/209A

- ⑤ Using a plier jig, disassemble snap ring (4) from shaft (5).



14078SM210/210A

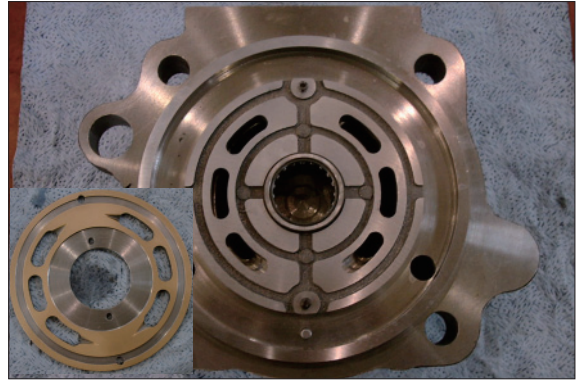
- ⑥ Disassemble shaft assy from body (1).



14078SM211/211A

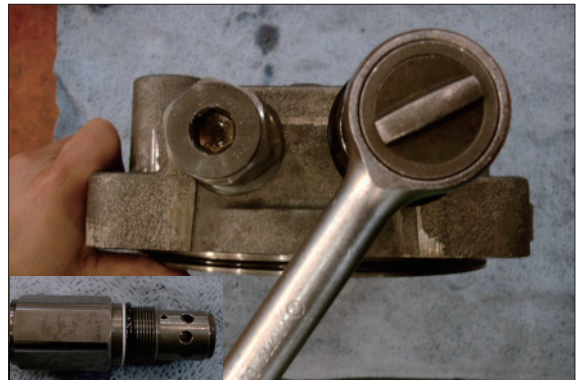
(3) Disassemble rear cover assy sub

- ① Disassemble pin (8, 23), valve plate (24) from rear cover (21).



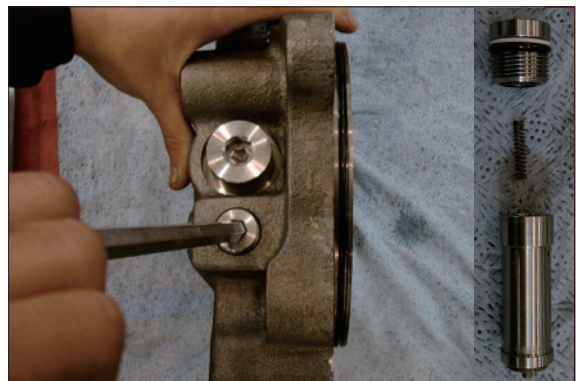
14078SM212/212A

- ② Using a torque wrench, disassemble relief valve assy (31) 2 set from rear cover (21).



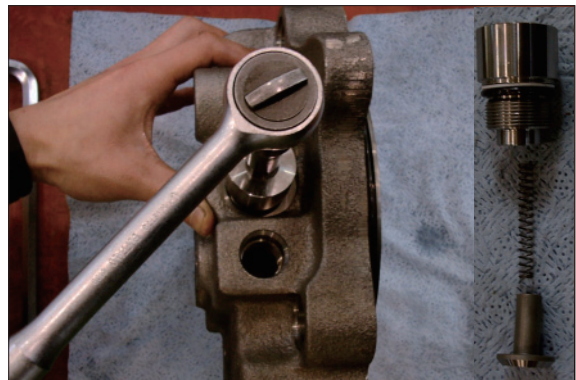
14078SM213/213A

- ③ After disassembling plug with a L-wrench from rear cover (21), disassemble respectively back up ring, O-ring, O-ring, spring, anti-inversion valve assy (32)



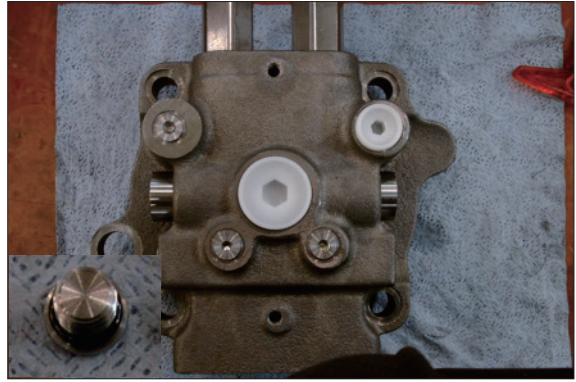
14078SM214/214A

- ④ Disassemble make up check valve assy with a torque wrench from rear cover (21).



14078SM215/215A

- ⑤ Disassemble respectively plug (35, 38, 39), with a L-wrench from rear cover (21).

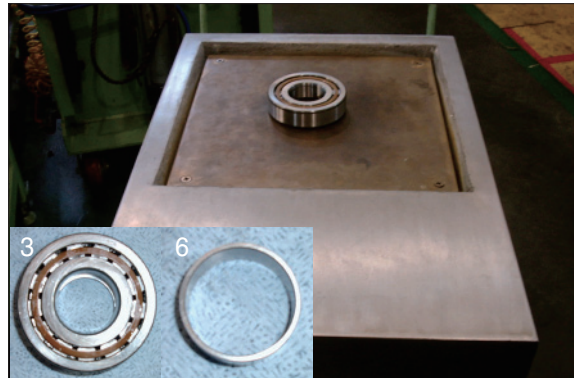


14078SM216/216A

3) ASSEMBLING

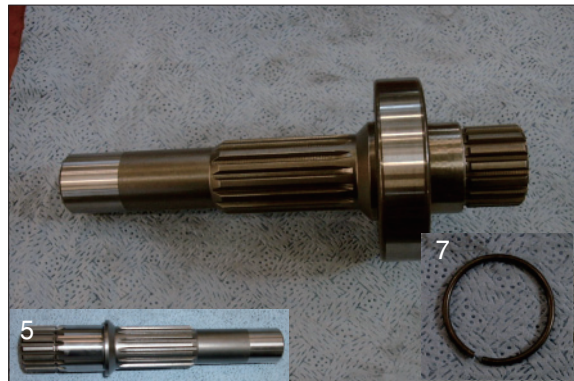
(1) Assemble the sub of a turning axls

- ① Put roller bearing (3), bushing (6) on pre-heater and provide heat to inner wheel (compressing temp : 290°C for 2minutes)
 - Roller bearing × 1 EA
 - Bushing × 1 EA



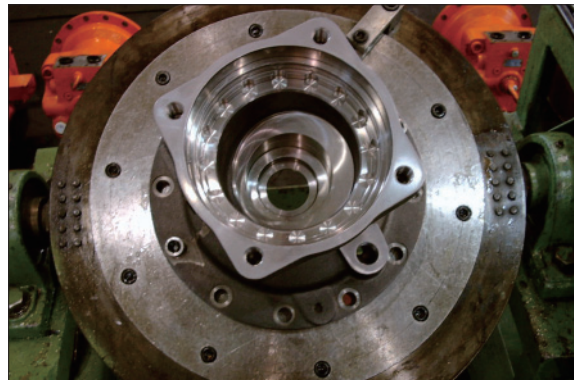
14078SM217/217A/B

- ② After assembling and compressing pre-heated roller bearing (3), bushing (6) into shaft (5).
 - Stop ring × 1 EA
 - Shaft × 1 EA



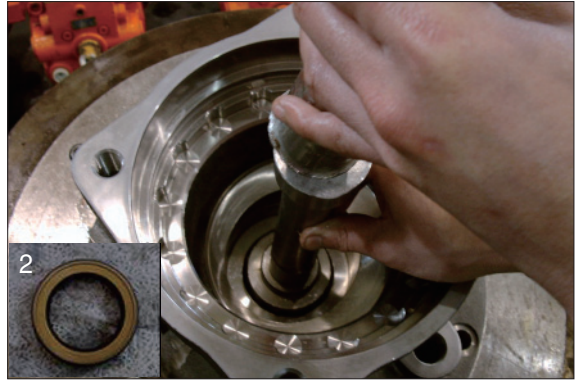
14078SM218/218A/B

- ③ Put body (1) on a assembling jig, fix it with bolts to prohibit moving.



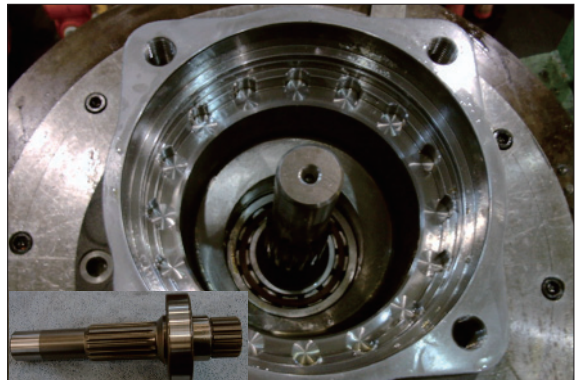
14078SM219

- ④ Using a compressing tool and steel stick, assemble oil seal (2) into body (1).
· Oil seal × 1 EA



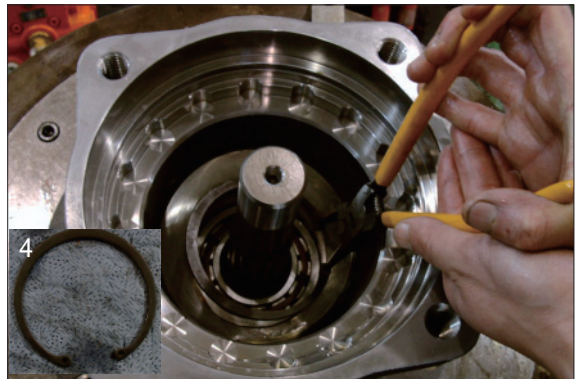
14078SM220/220A

- ⑤ Insert above shaft sub into body (1) and assemble it with a steel stick.



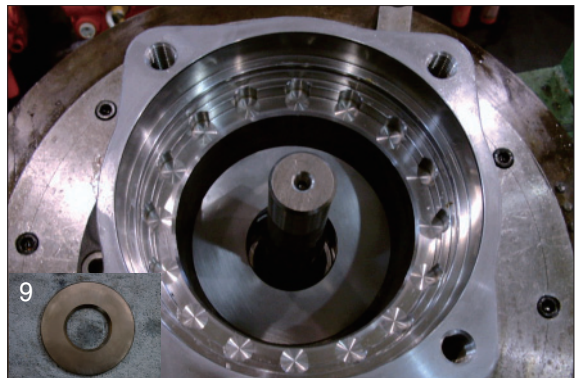
14078SM211/211A

- ⑥ Fix snap ring (4) to shaft with a plier jig.
· Snap ring × 1 EA



14078SM210/210A

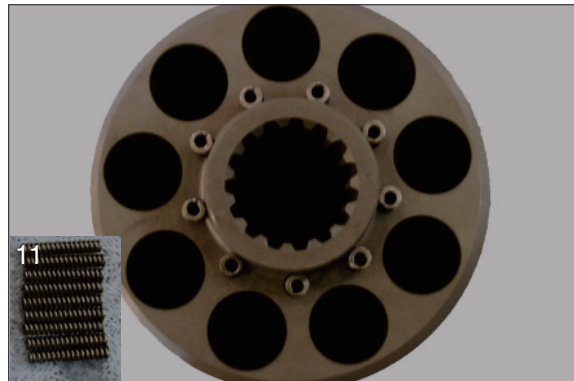
- ⑦ Spread grease on shoe plate (9) and assemble on the body.
· Shoe plate × 1 EA



14078SM222/209A

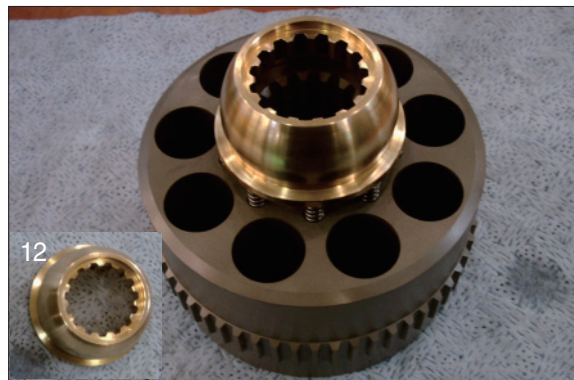
(2) Assemble the sub of cylinder block assy

- ① Assemble spring (11) 9 set into cylinder block (10).
· Spring × 9 EA



14078SM208/208A

- ② Assemble ball guide (12) into cylinder.
· Ball guide × 1 EA



14078SM207/207A

- ③ Assemble piston assy (14) 9 set into set plate (13).
· Piston assy × 9 EA
· Set plate × 1 EA



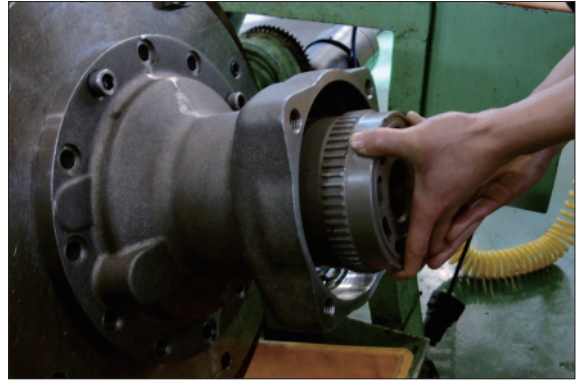
14078SM223/223A

- ④ Assemble above item ② and ③.



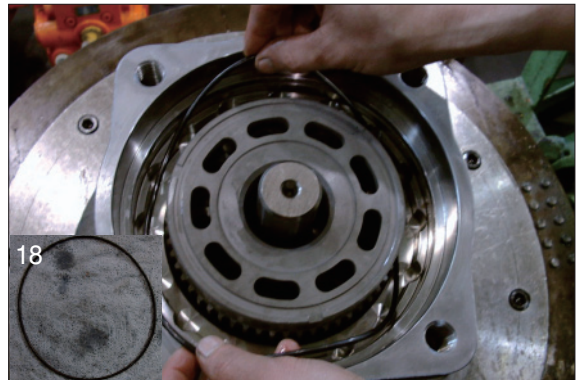
14078SM224

- ⑤ Assemble cylinder block assy into body (1).



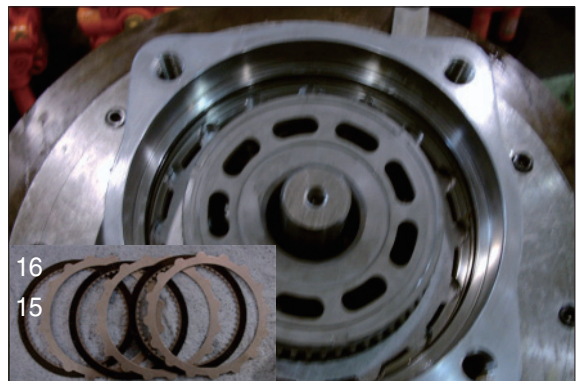
14078SM225

- ⑥ Assemble O-ring (18) into body (1).
· O-ring × 1 EA



14078SM226/226A

- ⑦ Assemble 3 set of plate (16), friction plate (15) respectively into body.
· Plate × 3 EA
· Friction plate × 3 EA



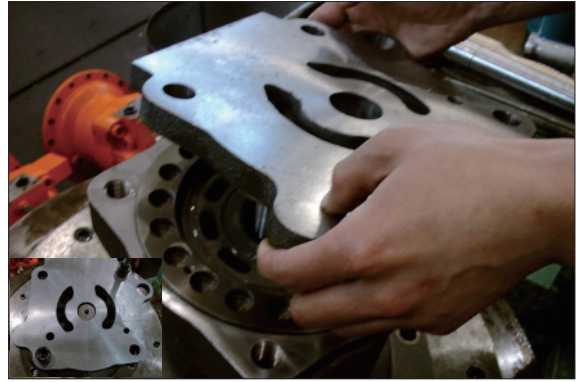
14078SM227/205A

- ⑧ Assemble O-ring (19) into break piston (17).
· O-ring × 2 EA



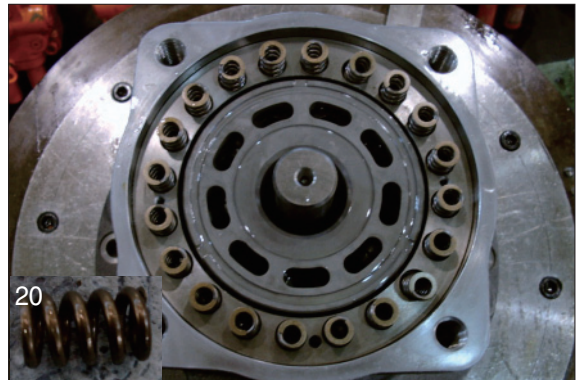
14078SM228/226A

- ⑨ Insert break piston assy into body (1) and compress it with a jig and hammer.



14078SM229/229A

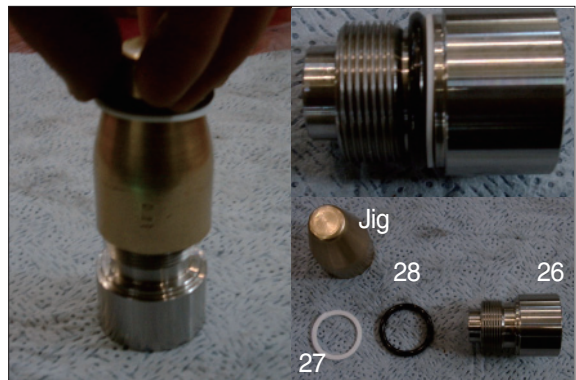
- ⑩ Assemble spring (20) (20 EA) into break piston (17).
 · Spring × 20 EA



14078SM230/230A

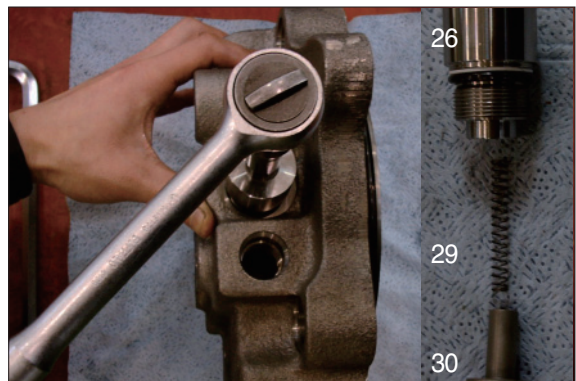
(3) Assemble the sub of rear cover assy sub

- ① Assemble the sub of make up check valve assy.
 Assemble O-ring (28), back up ring (27) into plug (26) with a O-ring assembling jig.
 · Plug × 1 EA
 · Back up ring × 1 EA
 · O-ring × 1 EA



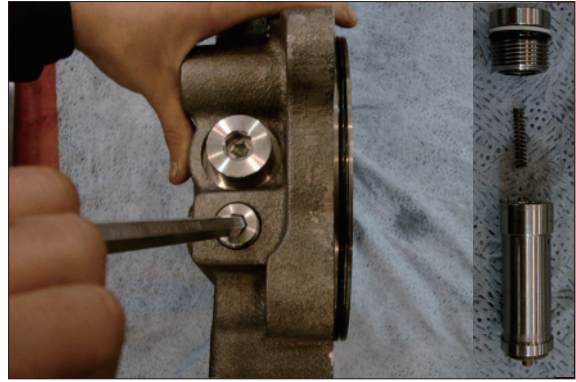
16098SM231/231A/B

- ② Assemble respectively make up check valve assy spring (29), check (30), plug (26) into rear cover (21) after then screw it torque wrench.
 · Make up check sub × 2 set
 · Spring × 2 EA
 · Check × 3 EA



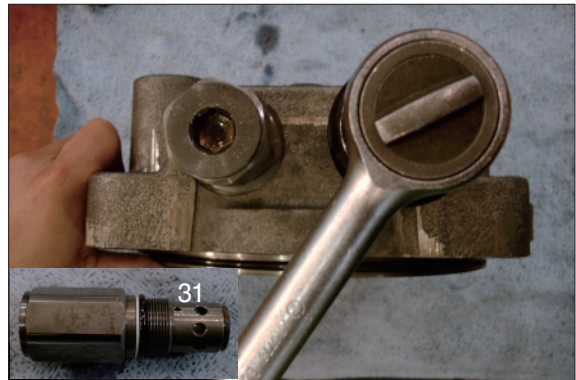
16098SM215/215A

- ③ Assemble respectively plug (43), back up ring, O-ring, O-ring, spring, anti-inversion valve assy (32) into rear cover (21).
(Bilateral symmetry assembling)
- Anti-Inversion v/v assy × 2 set
 - O-ring (P12) × 2 EA
 - O-ring (P18) × 2 EA
 - Back up ring (P18) × 2 EA



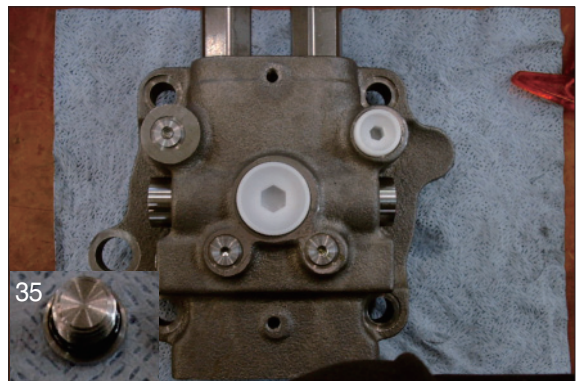
14078SM214/214A

- ④ Assemble relief valve assy (31) 2set into rear cover (21) with a torque wrench.
(Bilateral symmetry assembling)



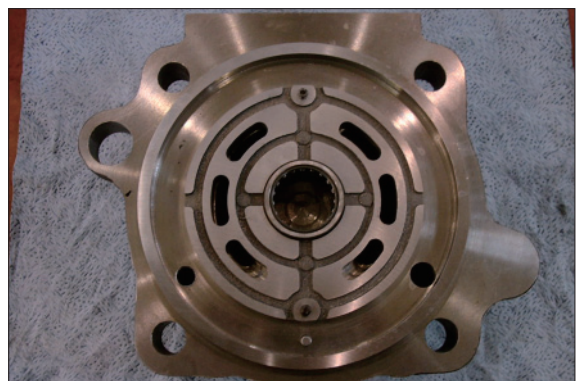
16098SM213/213A

- ⑤ Assemble plug (35), plug (38, 39) into rear cover (21) with a L-wrench.
* Plug × 3 EA (PF1/4)



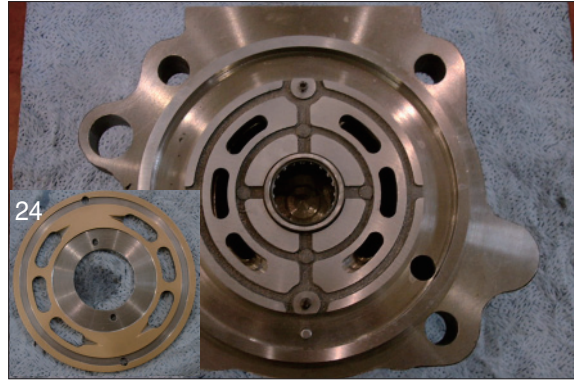
16098SM216/216A

- ⑥ After assembling needle bearing (22) into rear cover (21), with a hammer assemble pin (8, 23).
* Pin × 1 EA
* Pin × 2 EA



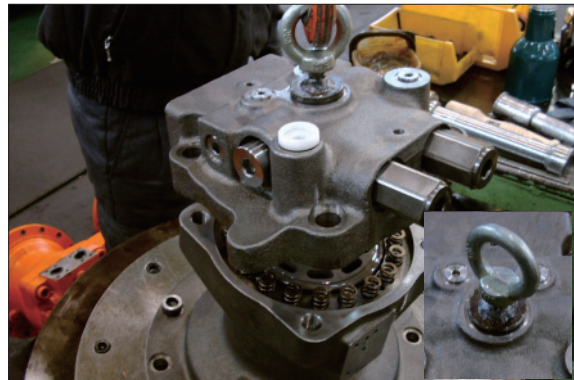
14078SM212

- ⑦ Spreading grease on valve plate (24),
assemble into rear cover (21).
· Valve plate × 1 EA



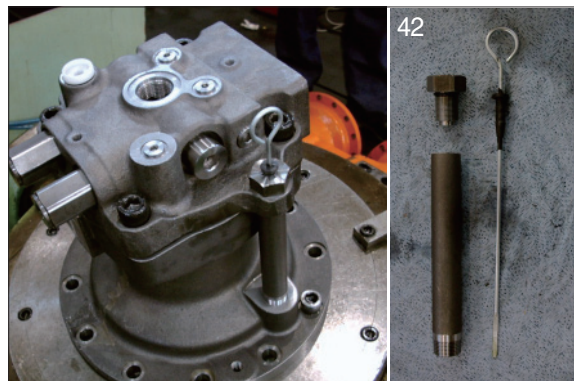
14078SM212/212A

- ⑧ Lift up rear cover assy on body (1) by a crane and assemble it with a wrench bolt (25).



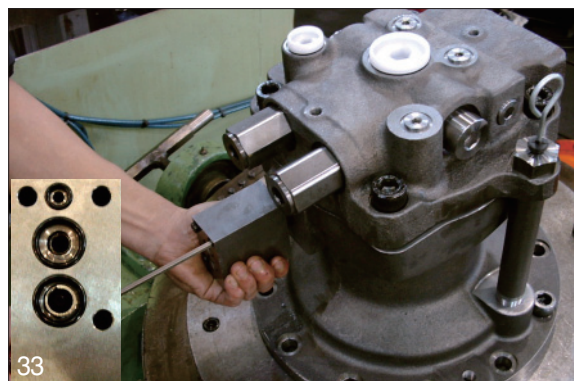
14078SM203/203A

- ⑨ Assemble level gauge (42) into body (1).



16098SM202/202A

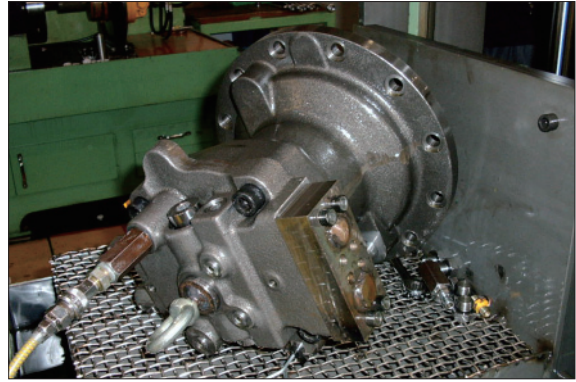
- ⑩ Assemble time delay valve assy (33) into rear cover (21) with a wrench bolt (34).



16098SM201/201A

(4) Air pressing test

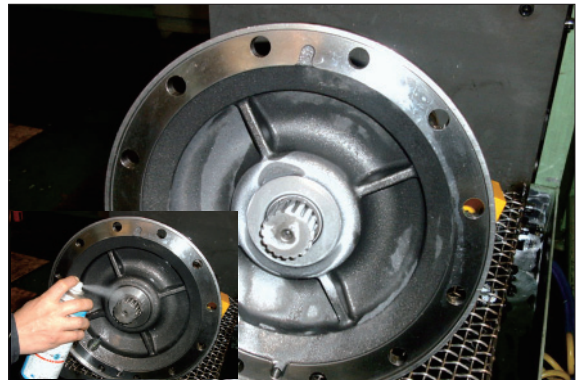
Be sure of leakage, after press air into assembled motor



14078SM232

(5) Leakage check

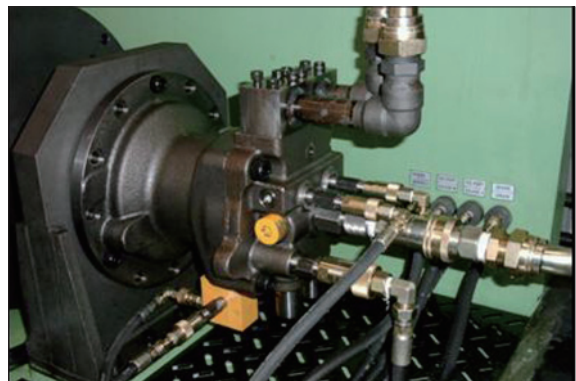
After cleaning motor by color check No.1, paint No.3 and be sure of leakage.



14078SM233/233A

(6) Mount test bench

Mounting motor test bench, test the availability of each part.



220078SM14

3. REMOVAL AND INSTALL OF REDUCTION GEAR

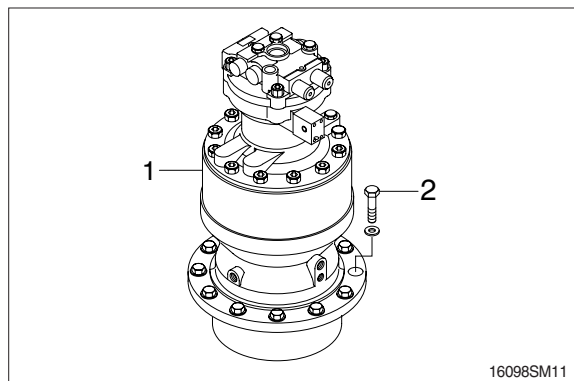
1) REMOVAL

- (1) Remove the swing motor assembly.
For details, see removal of swing motor assembly.
- (2) Sling reduction gear assembly (1) and remove mounting bolts (2).
- (3) Remove the reduction gear assembly.
 - Reduction gear device weight : 180 kg
(396 lb)



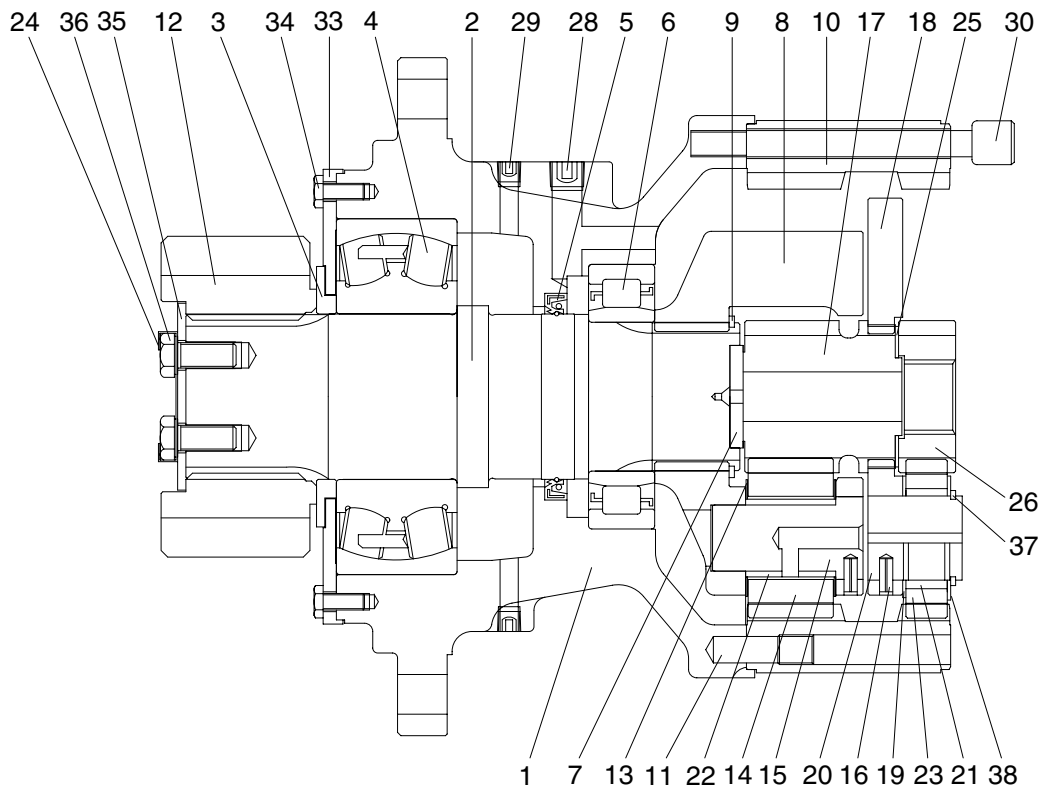
2) INSTALL

- (1) Carry out installation in the reverse order to removal.
 - Tightening torque : 57.9 ± 8.7 kgf · m
(419 ± 62.9 lbf · ft)



4. DISASSEMBLY AND ASSEMBLY OF REDUCTION GEAR

1) STRUCTURE

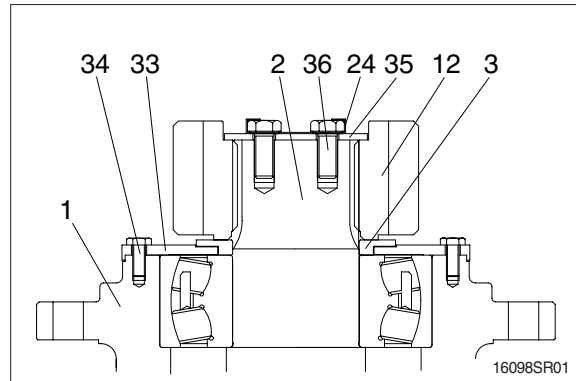


16092SM03

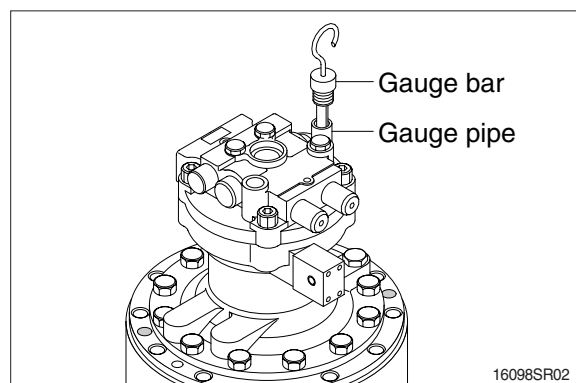
1	Casing	13	Thrust washer	25	Side plate 3
2	Drive shaft	14	Planet gear 2	26	Sun gear 1
3	Spacer	15	Pin & bushing	28	Plug
4	Roller bearing	16	Spring pin	29	Plug
5	Oil seal	17	Sun gear 2	30	Socket bolt
6	Roller bearing	18	Carrier 1	33	Cover plate
7	Thrust plate	19	Side plate 1	34	Hexagon bolt
8	Carrier 2	20	Pin 1	35	Lock plate
9	Stop ring	21	Needle cage	36	Hexagon bolt
10	Ring gear	22	Bushing 2	37	Stop ring
11	Knock pin	23	Planet gear 1	38	Side plate 2
12	Pinion gear	24	Lock washer		

2) DISASSEMBLY

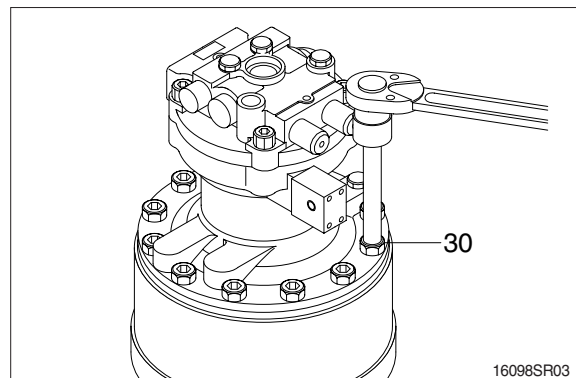
- (1) Spread off the 4 corners of lock washer (24) with a tool.
 - ※ Do not reuse lock washer (24).
- Loosen the bolts (36) and then remove lock washer (24) and lock plate (35) from the pinion gear (12).
- Remove pinion gear (12) and spacer (3) from the drive shaft (2).
- Remove cover plate (33) from the casing (1) by loosening the hexagon bolts (34).



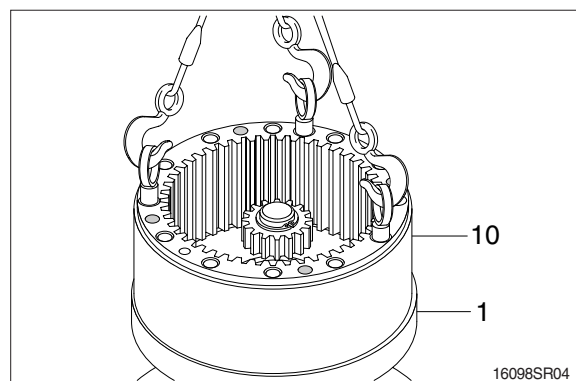
- (2) Remove gauge bar and gauge pipe from the swing motor casing.
 - ※ Pour the gear oil out of reduction gear into the clean bowl to check out the friction decrease.



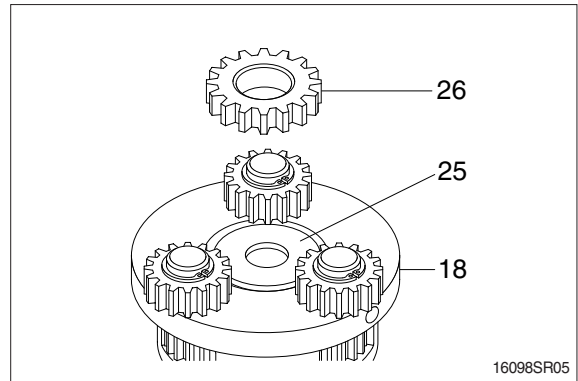
- (3) Loosen the socket bolts (30) to separate swing motor from reduction gear.



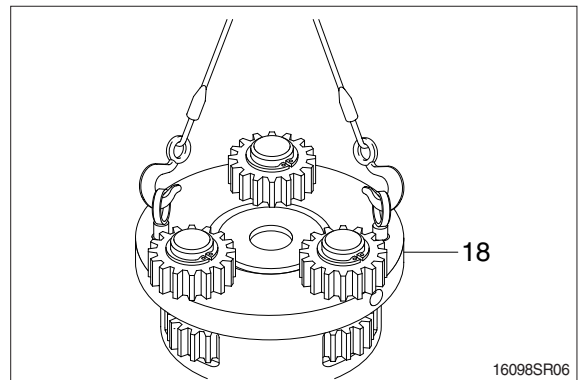
- (4) Tighten 3 M16 eye bolts to the ring gear (10) and then lift the ring gear (10) out of the casing (1).



- (5) Remove sun gear1 (26) from side plate 3 (25).

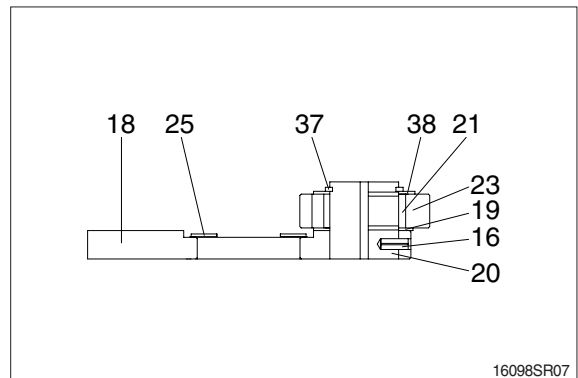


- (6) Tighten two M10 eye bolts to carrier 1 (18) and lift up and remove carrier 1 (18) as subassembly.

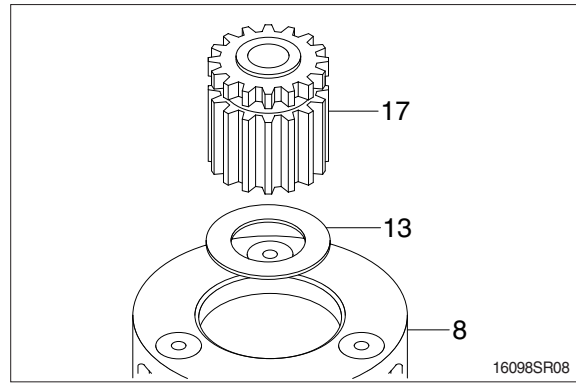


- (7) Disassembling carrier 1 (18) assembly.

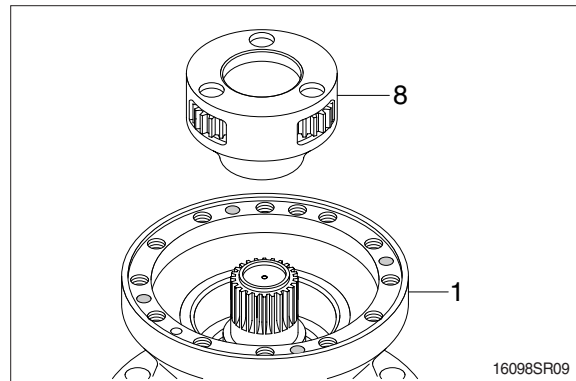
- ① Remove stop ring (37).
 - ② Remove side plate 2 (38), planet gear 1 (23), needle cage (21), side plate 1 (19) and side plate 3 (25) from the carrier.
 - ③ Using M8 solid drill, crush spring pin (16) so that the pin 1 (20) can be removed by hammering.
 - ④ Remove side plate 3 (25) from carrier 1 (18).
- ※ Do not reuse spring pin (16).
 - ※ Do not remove pin 1 (20), carrier 1 (18) and spring pin (16) but in case of replacement.
 - ※ Put matching marks on the planet gear 1 (23) and the pin 1 (20) for easy reassembly.



- (8) Remove sun gear 2 (17) and thrust washer (13) from carrier 2 (8).



- (9) Remove carrier 2 (8) assembly from casing (1).



- (10) Disassembling carrier 2 (8) assembly

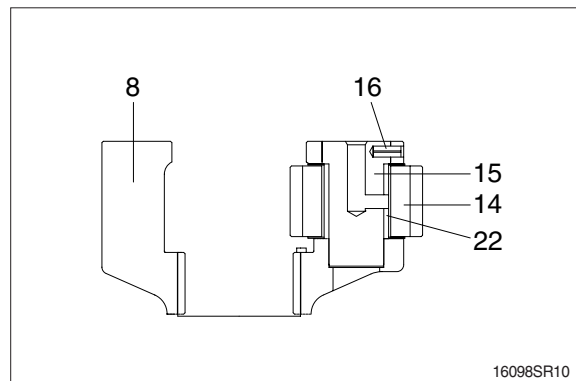
① Using M8 solid drill, crush spring pin (16) so that the pin & bushing (15) can be removed.

※ Do not reuse spring pin (16).

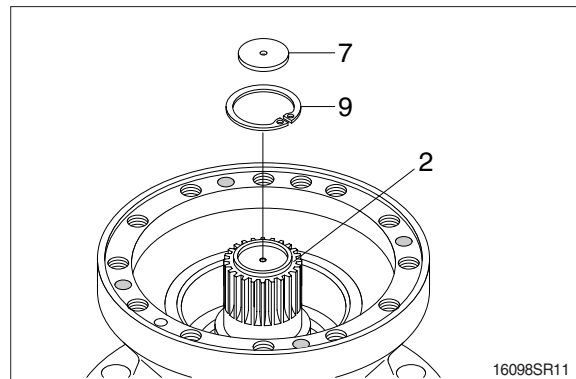
② Remove pin & bushing (15), planet gear 2 (14) and bushing 2 (22) from the carrier 2 (8).

※ Put matching marks on the planet gear 2 (14) and the pin & bushing (15) for easy reassembly.

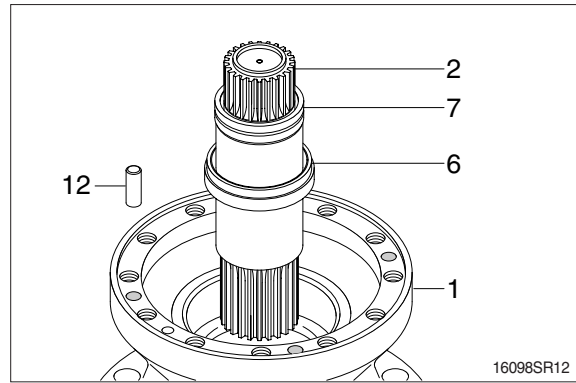
※ Do not disassemble pin & bushing (15), carrier 2 (8) and spring pin (16) but in case of replacement.



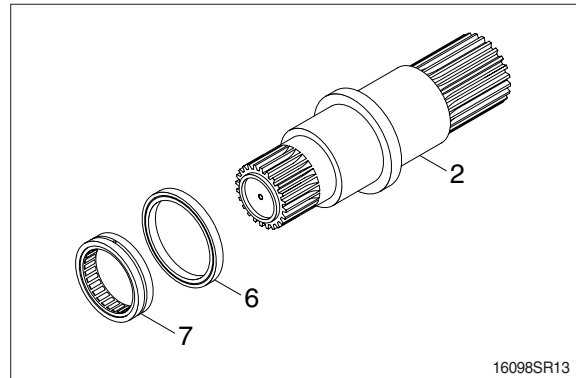
- (11) Remove thrust plate (7) and stop ring (9) from the drive shaft (2).



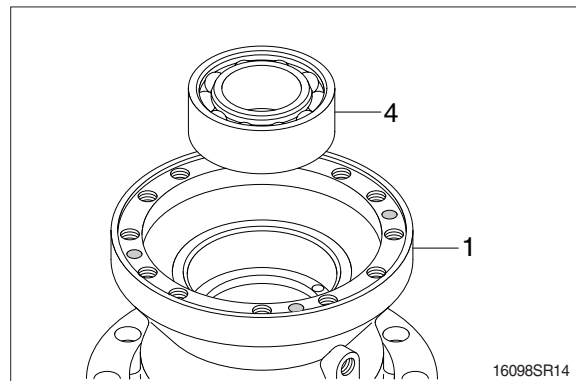
- (12) Remove drive shaft (2) with roller bearing (6) and oil seal (5) assembled.
Remove knock pin (11) from the casing (1).



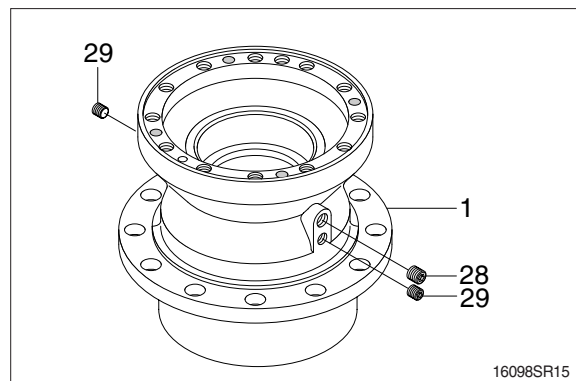
- (13) Remove roller bearing (6) and oil seal (5) from the drive shaft (2).
※ Do not reuse oil seal (5) once removed.



- (14) Using the bearing disassembly tool, remove roller bearing (4).

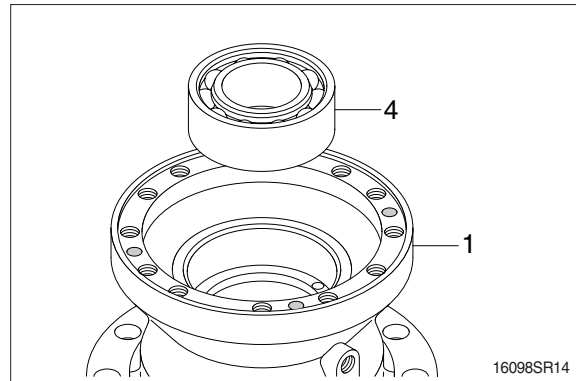


- (15) Remove plugs (28, 29) from the casing (1).

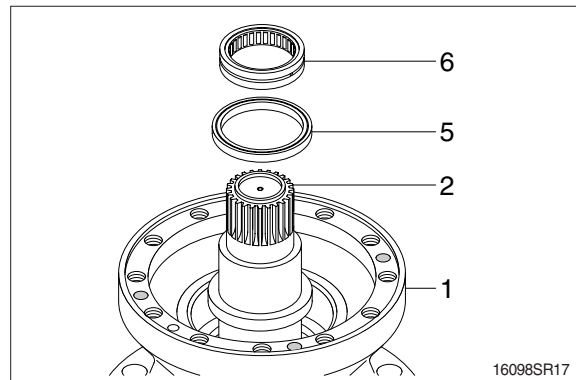


3) ASSEMBLY

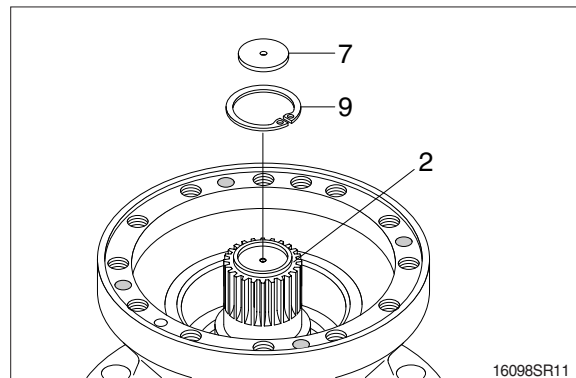
- (1) Assemble roller bearing (4) inside the casing (1).



- (2) Assemble the drive shaft (2) into the casing (1) and then install oil seal (5) and roller bearing (6).

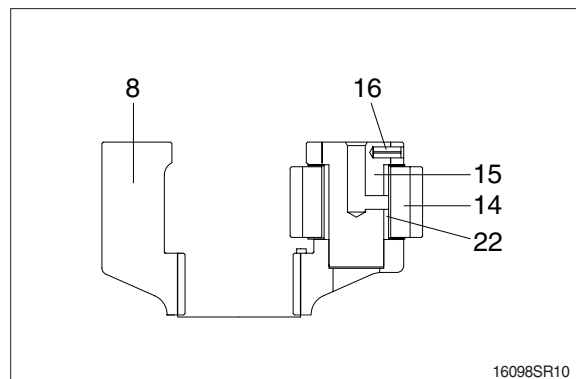


- (3) Install stop ring (9) and thrust plate (7) on top of drive shaft (2).

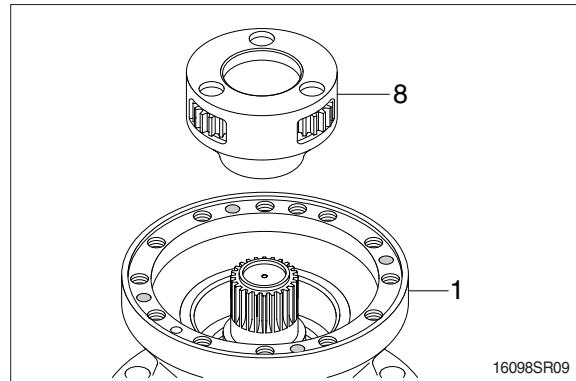


- (4) Assembling carrier 2 (8) assembly.

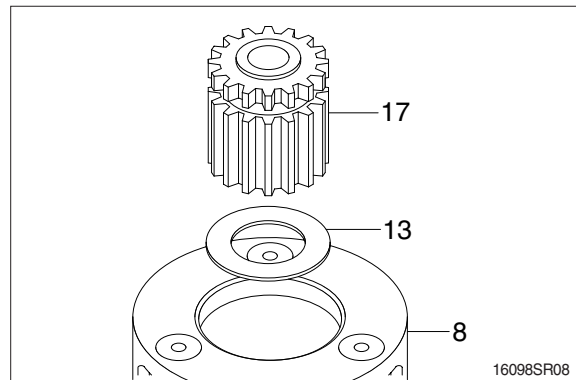
- ① Install thrust washer (13) inside the carrier 2 (8).
 - ② Install bushing 2 (22) inside the planet gear 2 (14) and then assemble them to the carrier 2 (8).
 - ③ Assemble the pin & bushing (15) to the carrier 2 (8) and then press the spring pin (16) by hammering.
 - ④ Punch 2 points of the spring pin (16) lip.
- ※ Take care not to mistake the matching marks of each part.



- (5) Assemble carrier 2 (8) assembly correctly to the drive shaft (2).

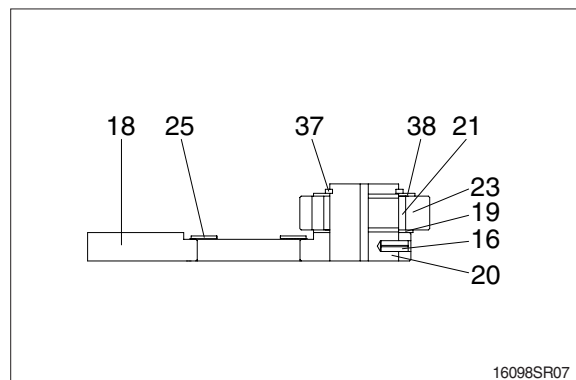


- (6) Assemble sun gear 2 (17) and thrust washer (13) to the center of the carrier 2 (8) assembly.

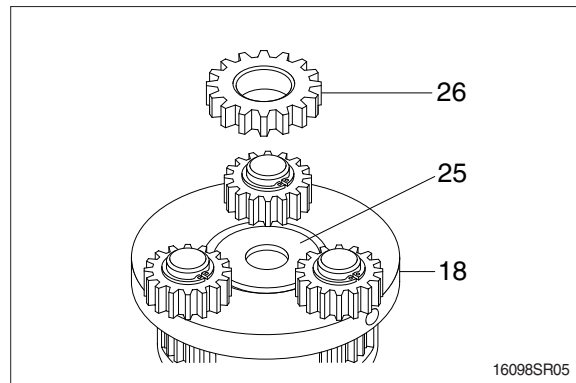


- (7) Assembling carrier 1 (18) assembly.

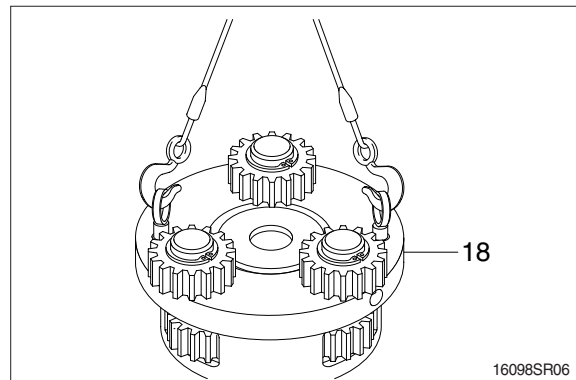
- ① Assemble the pin 1 (20) to the carrier 1 (18) and then press the spring pin (16) by hammering.
 - ② Punch 2 points of the spring pin's (16) lip.
 - ③ Install side plate 3 (25) onto the center of carrier 1 (20).
 - ④ Install needle cage (21) into the planet gear 1 (23).
 - ⑤ Assemble side plate (19), planet gear 1 (23), side plate 2 (38) and then stop ring (37) to the pin 1 (20).
- ※ Take care not to mistake the matching marks of each part.



- (8) Install sun gear 1 (26) onto the side plate 3 (25).



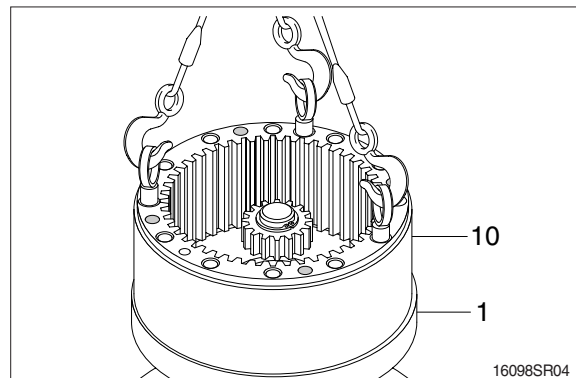
- (9) Assemble carrier 1 (18) assembly onto the carrier 2 (8) assembly.



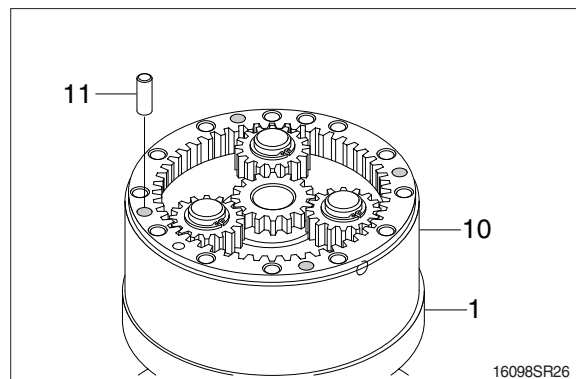
- (10) Apply loctite to the tapped holes of casing (1).

- (11) Tighten 3 M16 eye bolts to the ring gear (10) and lift up and then assemble it onto the casing (1).

- ※ Don't fail to coincide the knock pin (11) holes.



- (12) Hammer 4 knock pins (11) around the ring gear (10).

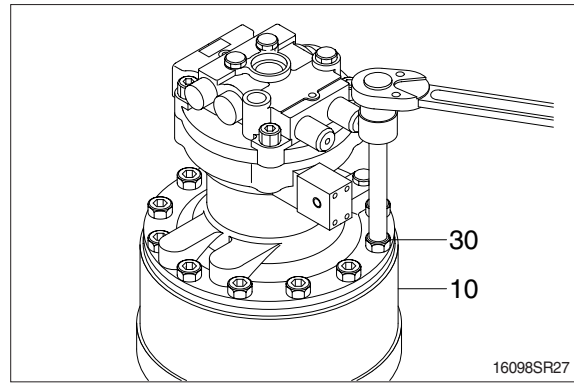


(13) Apply loctite to the tapped holes of the ring gear (10) and then mount swing motor onto the ring gear (10).

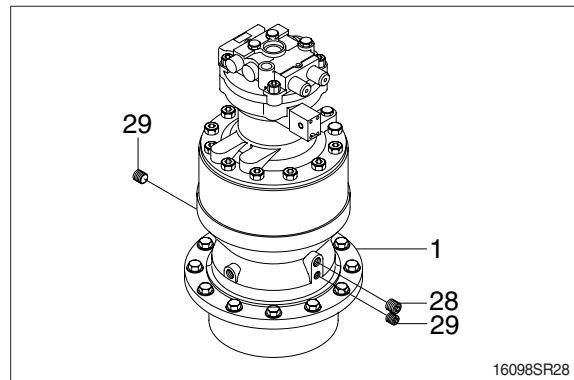
※ Don't fail to coincide the gauge bar (32) hole.

(14) Tighten socket bolts (30) around the swing motor assembly.

· Tightening torque : 24 kgf · m (173 lbf · ft)



(15) Assemble plugs (28, 29) to the casing (1).



(16) Turn the swing motor assembly upside down and assemble cover plate (33) by tightening the hexagon bolts (34).

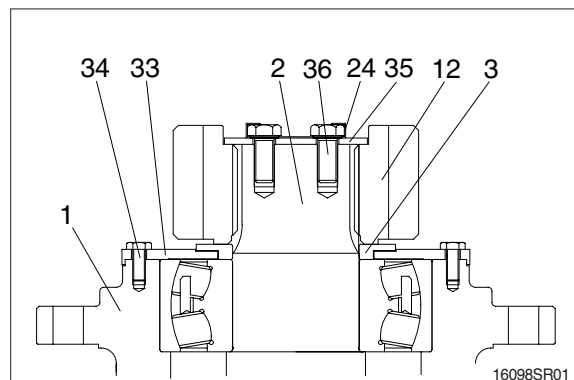
Install spacer (3) and pinion gear (12) to the drive shaft (2).

Assemble lock plate (35) on the pinion gear (12).

Assemble 2 lock washers (24) on the lock plate (35) with their 2 hole coincided individually to the tapped holes of drive shaft (2).

Tighten hexagon bolts (36) to the drive shaft (2) and then fold all the lock washer (24) corners over the hexagon bolts (36).

· Tightening torque : 24 kgf · m (173 lbf · ft)



(17) Inject oil into the reduction gear.