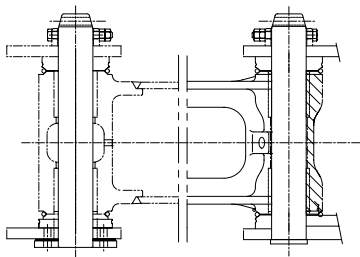
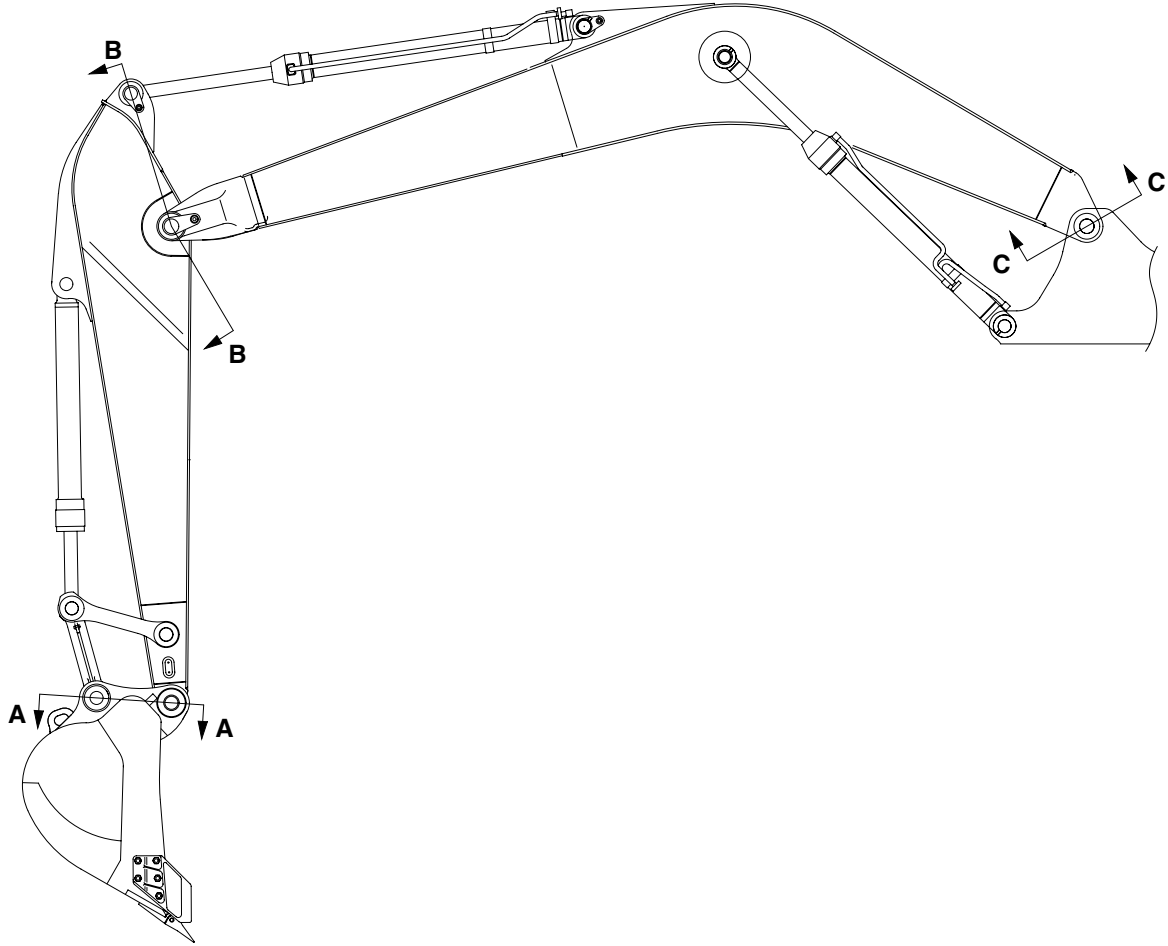
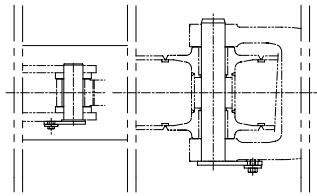


# GROUP 11 WORK EQUIPMENT

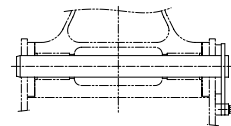
## 1. STRUCTURE



SECTION A



SECTION B



SECTION C

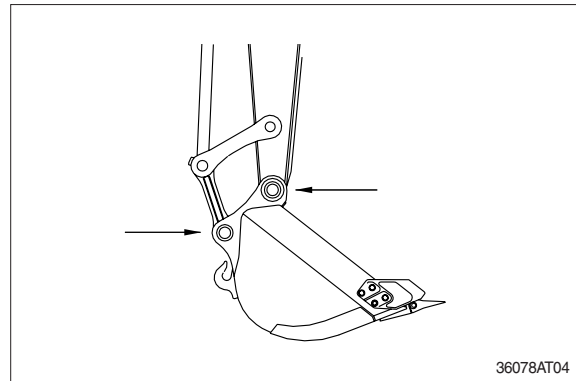
21078DA44

## 2. REMOVAL AND INSTALL

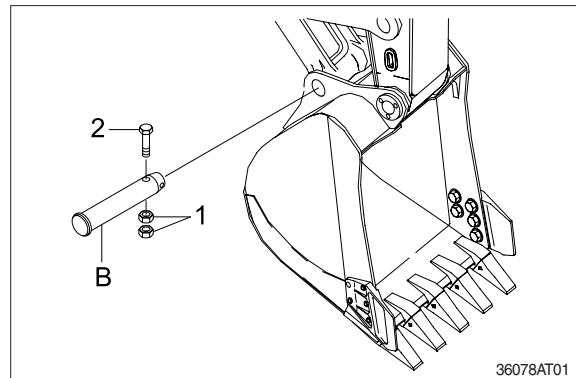
### 1) BUCKET ASSEMBLY

#### (1) Removal

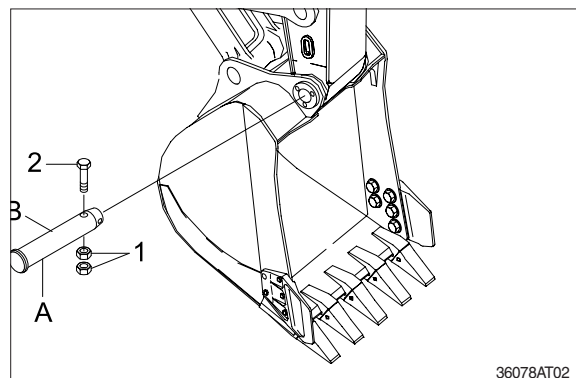
- ① Lower the work equipment completely to ground with back of bucket facing down.



- ② Remove nut (1), bolt (2) and draw out the pin (B).



- ③ Remove nut (3), bolt (4) and draw out the pin (A) then remove the bucket assembly.  
· Weight : 540 kg (1190 lb)

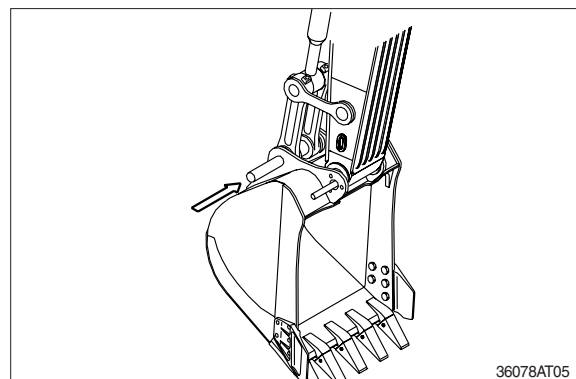


#### (2) Install

- ① Carry out installation in the reverse order to removal.

**▲** When aligning the mounting position of the pin, do not insert your fingers in the pin hole.

- ※ Adjust the bucket clearance.  
For detail, see operation manual.



## 2) ARM ASSEMBLY

### (1) Removal

※ Loosen the breather slowly to release the pressure inside the hydraulic tank.

**▲ Escaping fluid under pressure can penetrate the skin causing serious injury.**

① Remove bucket assembly.

For details, see removal of bucket assembly.

② Disconnect bucket cylinder hose (1).

**▲ Fit blind plugs (5) in the piping at the chassis end securely to prevent oil from spurting out when the engine is started.**

③ Sling arm cylinder assembly, remove spring, pin stopper and pull out pin.

※ Tie the rod with wire to prevent it from coming out.

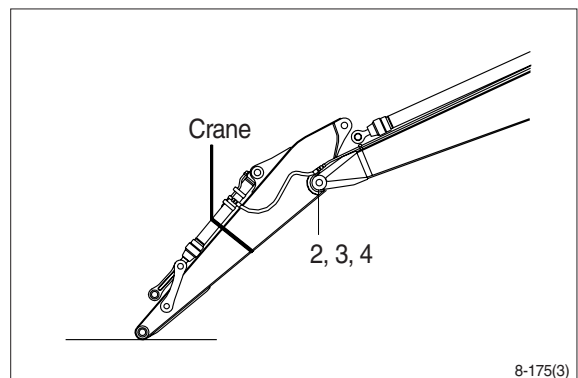
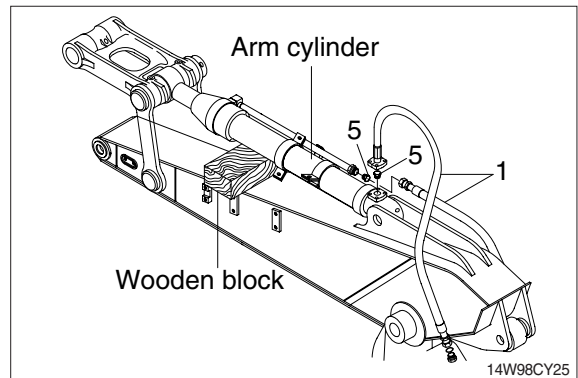
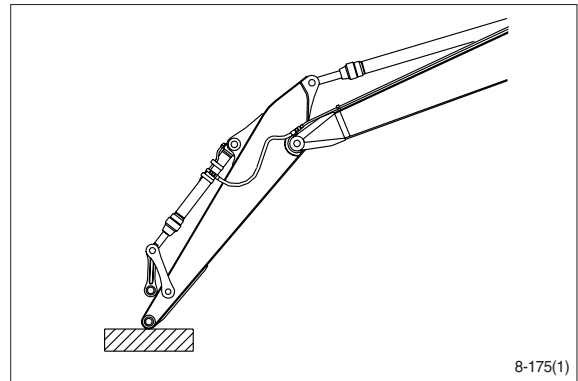
④ For details, see removal of arm cylinder assembly.

Place a wooden block under the cylinder and bring the cylinder down to it.

⑤ Remove bolt (2), plate (3) and pull out the pin (4) then remove the arm assembly.

※ · Weight : 540 kg (1190 lb)

When lifting the arm assembly, always lift the center of gravity.



### (2) Install

① Carry out installation in the reverse order to removal.

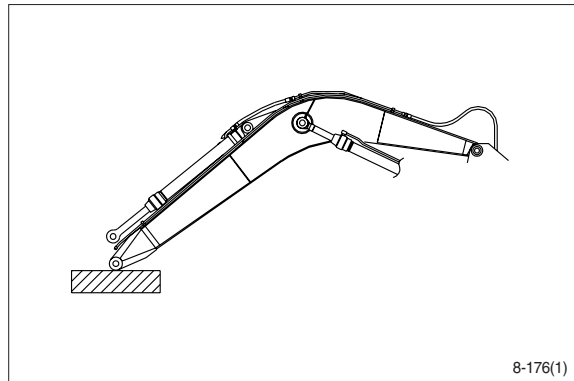
**▲ When lifting the arm assembly, always lift the center of gravity.**

※ Bleed the air from the cylinder.

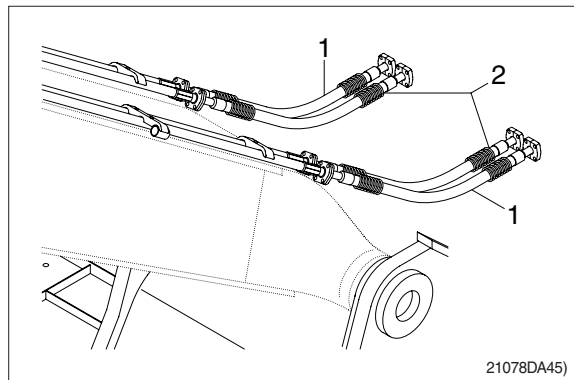
### 3) BOOM CYLINDER

#### (1) Removal

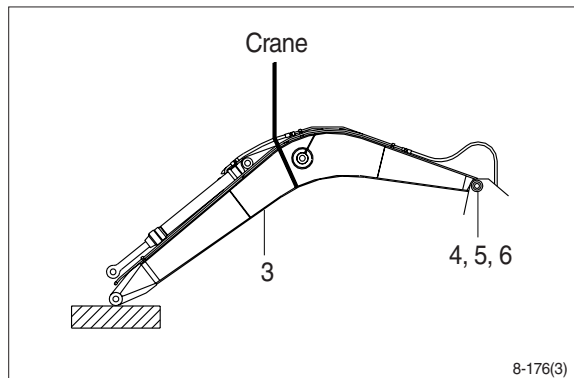
- ① Remove arm and bucket assembly.  
For details, see removal of arm and bucket assembly.
- ② Remove boom cylinder assembly from boom.  
For details, see removal of arm cylinder assembly.



- ③ Disconnect head lamp wiring.
- ④ Disconnect bucket cylinder hose (2) and arm cylinder hose (1).  
\* When the hose are disconnected, oil may spurt out.
- ⑤ Sling boom assembly (3).



- ⑥ Remove bolt (4), plate (5) and pull out the pin (6) then remove boom assembly.  
· Weight :1050 kg (2310 lb)  
\* When lifting the boom assembly always lift the center of gravity.



#### (2) Install

- ① Carry out installation in the reverse order to removal.

**▲ When lifting the arm assembly, always lift the center of gravity.**

- \* Bleed the air from the cylinder.

