

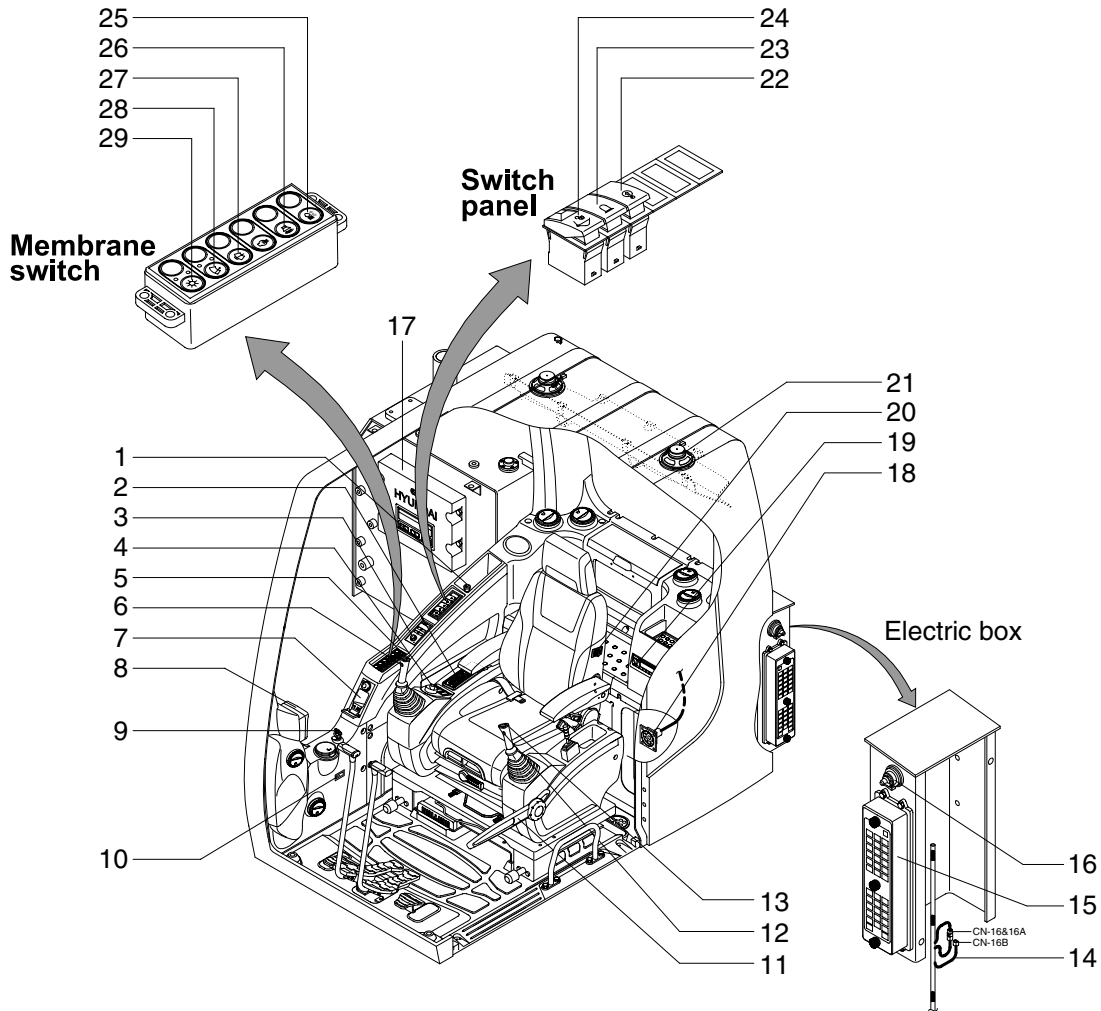
SECTION 4 ELECTRICAL SYSTEM

Group 1 Component Location	4-1
Group 2 Electrical Circuit	4-3
Group 3 Electrical Component Specification	4-21
Group 4 Connectors	4-29

SECTION 4 ELECTRICAL SYSTEM

GROUP 1 COMPONENT LOCATION

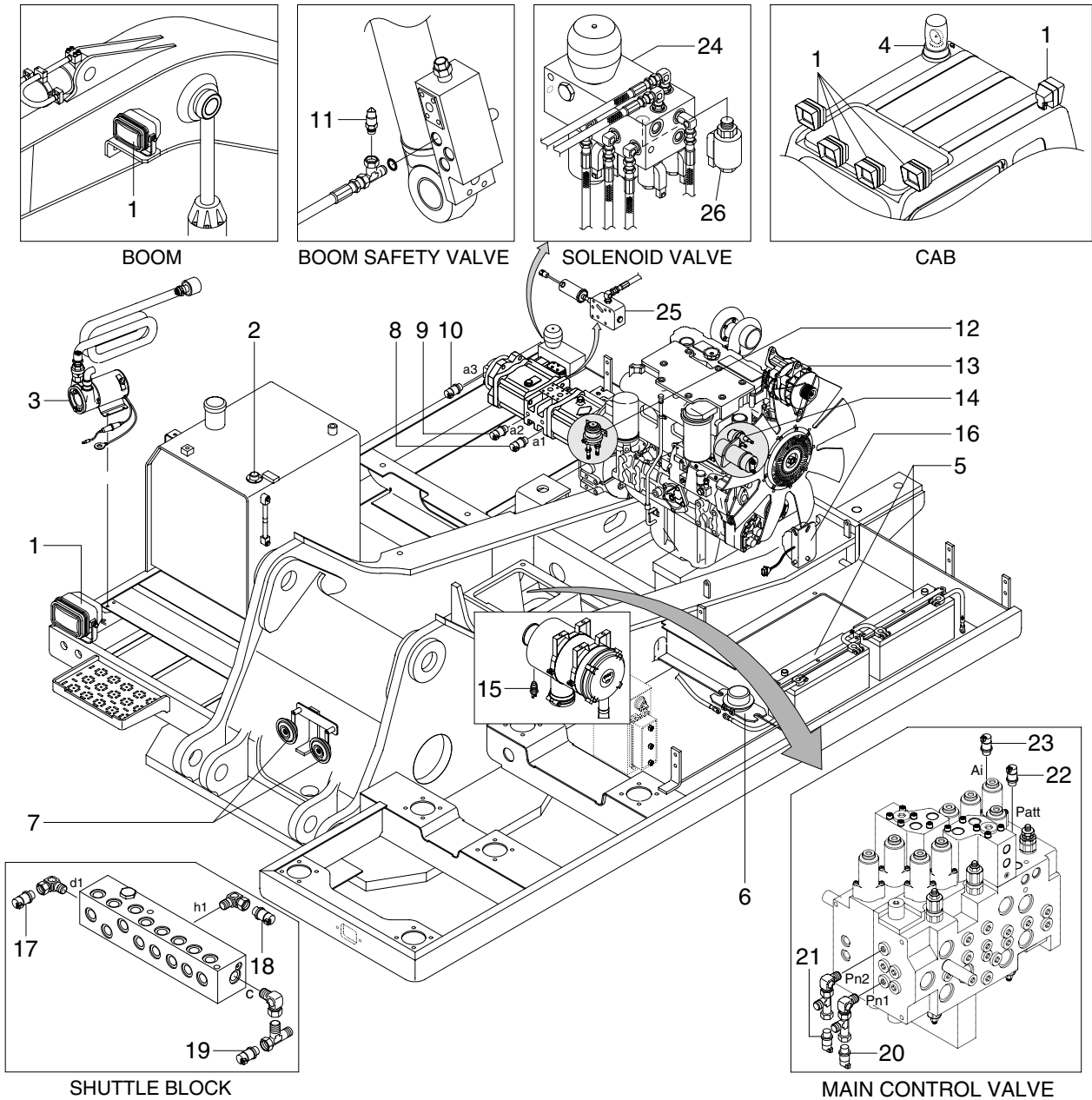
1. LOCATION 1



14094EL01

- | | | |
|----------------------------|---------------------------------|------------------------|
| 1 Cigar lighter | 11 Safety lever | 21 Speaker |
| 2 Air conditioner switch | 12 Power max switch | 22 Overload switch |
| 3 Remote controller | 13 One touch decel switch | 23 Beacon switch |
| 4 Accel dial switch | 14 Emergency engine connector | 24 Quick clamp switch |
| 5 Horn switch | 15 Fuse & relay box | 25 Cab light switch |
| 6 Breaker operation switch | 16 Master switch | 26 Travel alarm switch |
| 7 Handsfree | 17 Machine control unit | 27 Washer switch |
| 8 Cluster | 18 RS232 & J1939 service socket | 28 Wiper switch |
| 9 Start switch | 19 Radio & CD/MP3 player | 29 Main light switch |
| 10 Hour meter | 20 Heated seat switch | |

2. LOCATION 2



16094EL02

- | | | |
|----------------------|----------------------------------|-------------------------------|
| 1 Lamp | 10 P3 pressure sensor | 19 Swing pressure sensor |
| 2 Fuel sender | 11 Overload pressure sensor | 20 Negative 1 pressure sensor |
| 3 Fuel filler pump | 12 Heater relay | 21 Negative 2 pressure sensor |
| 4 Beacon lamp | 13 Alternator | 22 Attach pressure sensor |
| 5 Battery | 14 Start relay | 23 Travel pressure sensor |
| 6 Battery relay | 15 Air cleaner switch | 24 Solenoid valve |
| 7 Horn | 16 Travel alarm buzzer | 25 Pump EPPR valve |
| 8 P1 pressure sensor | 17 Arm/Bucket in pressure sensor | 26 Boom priority EPPR valve |
| 9 P2 pressure sensor | 18 Boom up pressure sensor | |