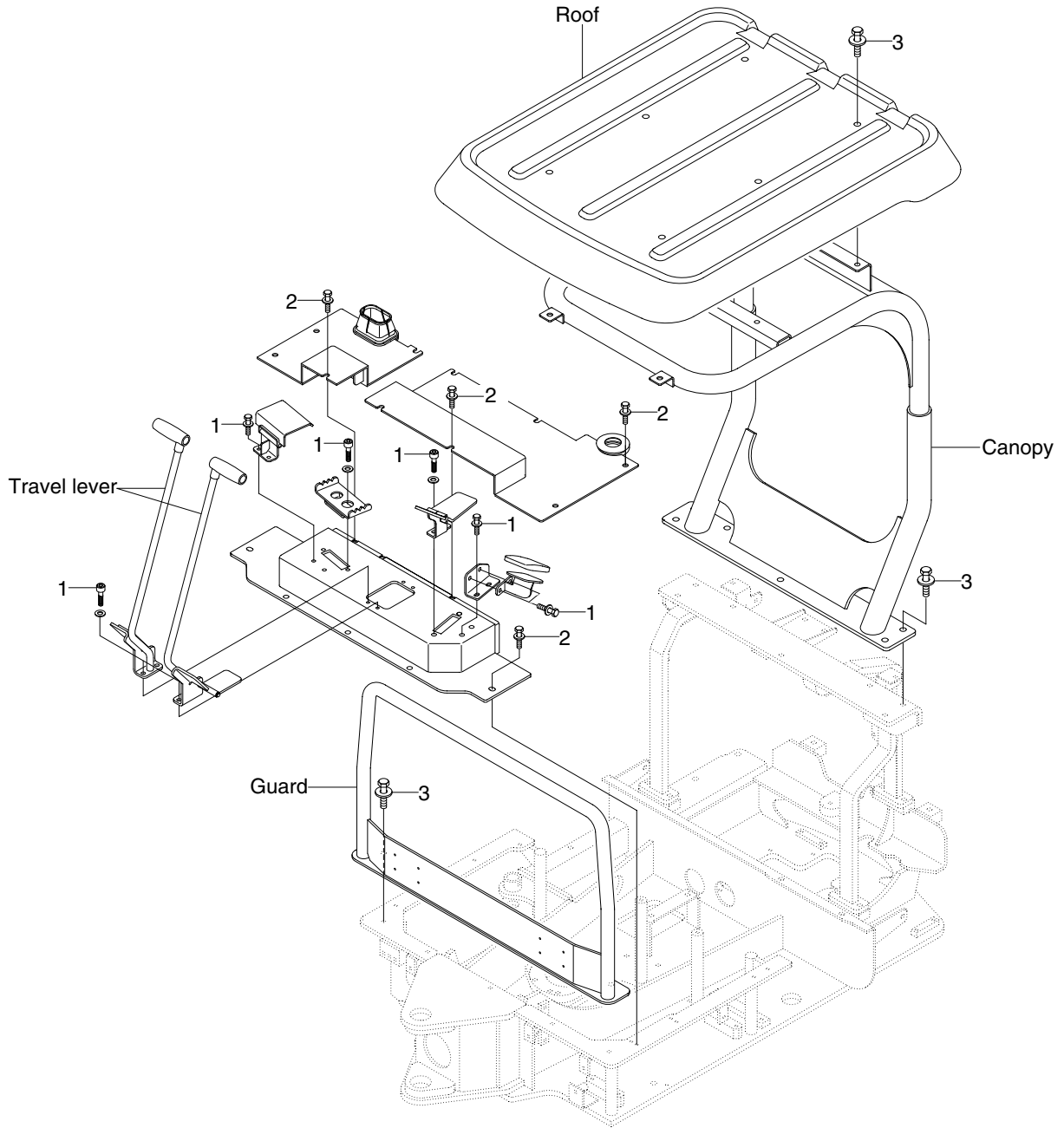


# GROUP 6 STRUCTURE

## 1. CANOPY AND ACCESSORIES MOUNTING



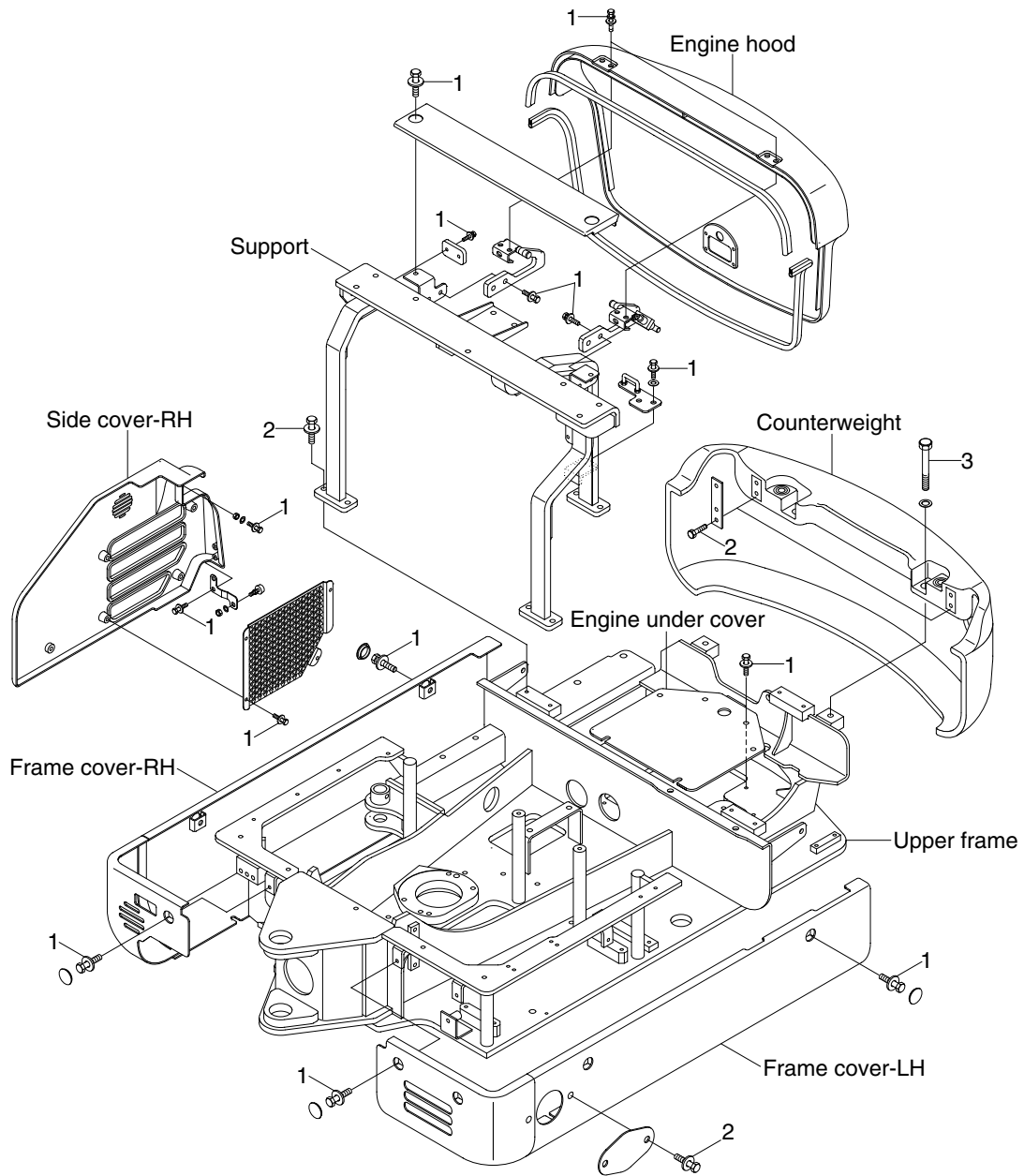
1698CM09

• Tightening torque

Item	Size	kgf · m	lbf · ft
1	M 8×1.25	2.5±0.5	18.1±3.6
2	M10×1.5	6.9±1.4	50±10

Item	Size	kgf · m	lbf · ft
3	M12×1.75	12.8±3.0	92.6±21.7

## 2. COWLING MOUNTING



1698CM10

### · Tightening torque

Item	Size	kgf · m	lbf · ft
1	M 8×1.25	2.5±0.5	18.1±3.6
2	M10×1.5	6.0±1.4	43.4±10.1

Item	Size	kgf · m	lbf · ft
3	M16×2.0	29.7±4.5	215±32.5