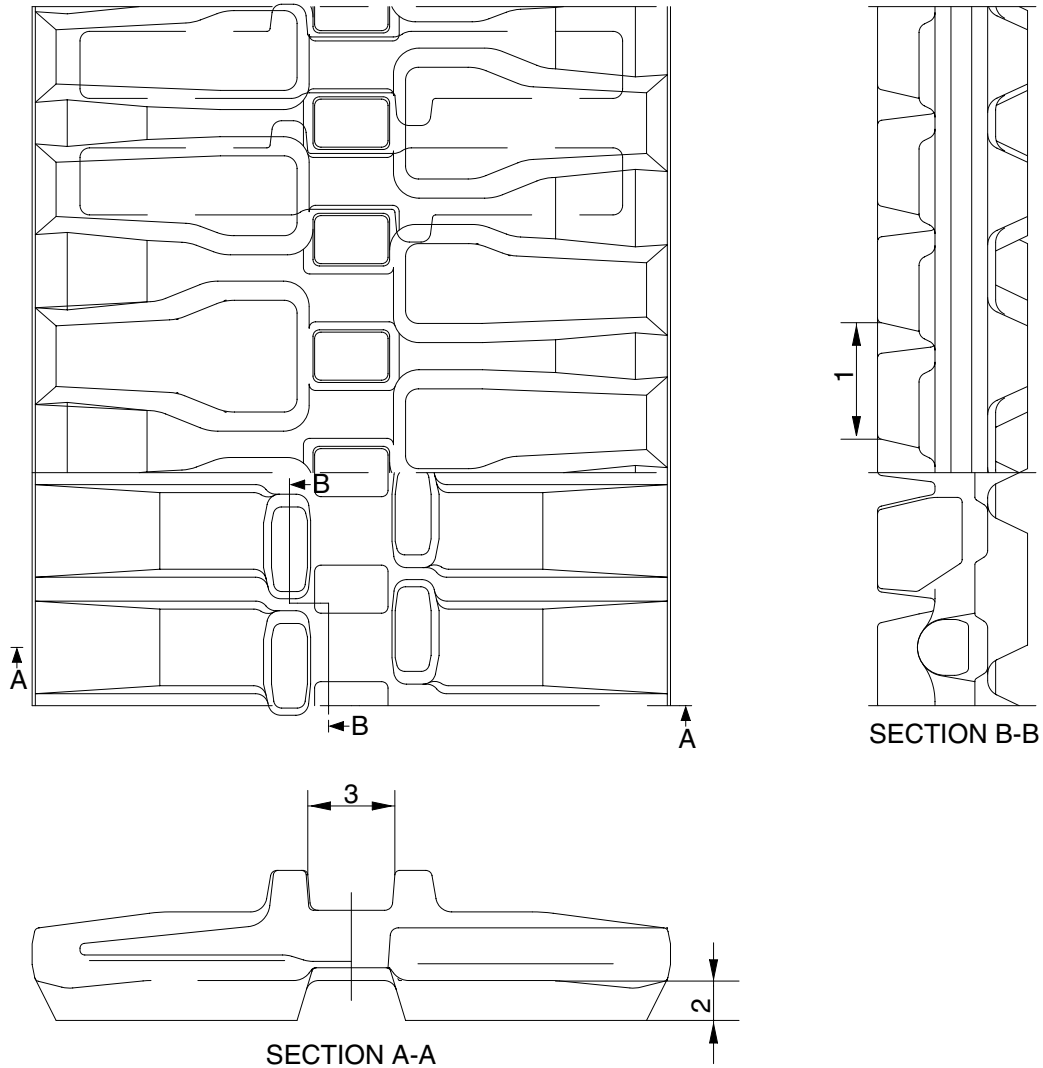


GROUP 3 TRACK AND WORK EQUIPMENT

1. TRACK SHOE

1) RUBBER SHOE SPEC

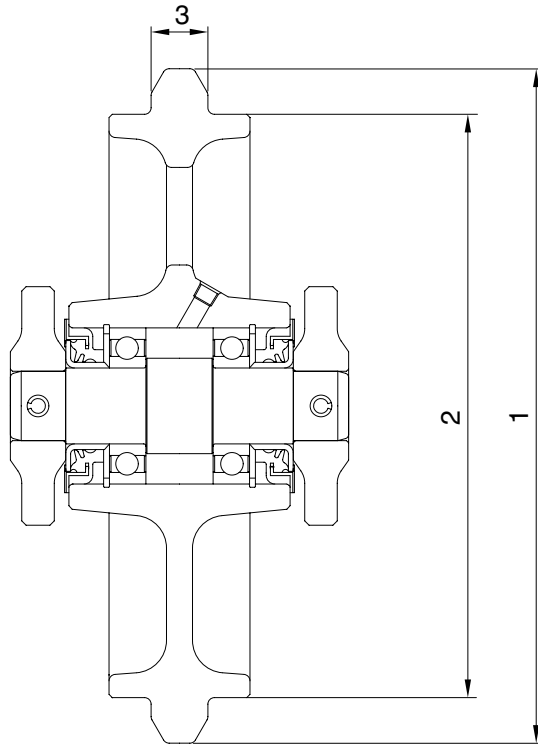


R5576MC17

Unit : mm

No	Check item	Criteria		Remedy
		Standard size	Repair limit	
1	Link pitch	48	50	Replace
2	Height of grouser	25	5	
3	Width of link	30	40	

2. IDLER

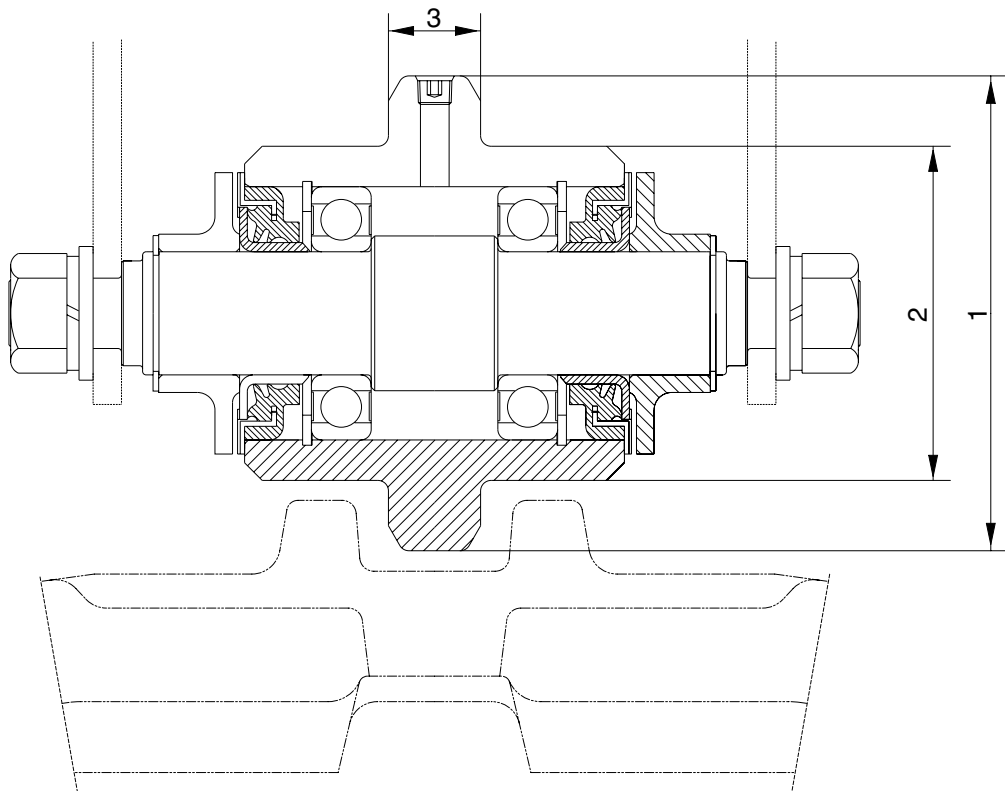


R27Z96MC23

Unit : mm

No	Check item		Criteria		Remedy
			Standard size	Repair limit	
1	Outside diameter of flange	Rubber	250	-	Rebuild or replace
2	Outside diameter of thread	Rubber	210	204	
3	Width of flange		23	17	

3. TRACK ROLLER

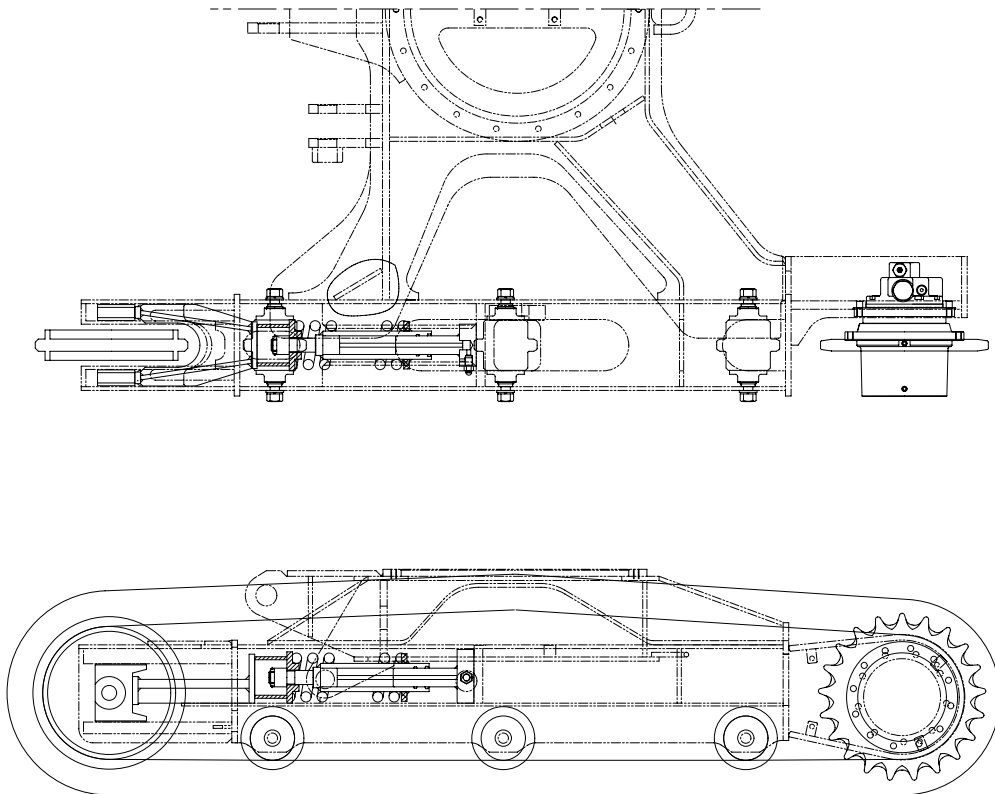


R35Z76MC19

Unit : mm

No	Check item		Criteria		Remedy
			Standard size	Repair limit	
1	Outside diameter of flange	Rubber	100	-	Rebuild or replace
2	Outside diameter of thread	Rubber	70	64	
3	Width of flange		22	16	

4. TENSION CYLINDER

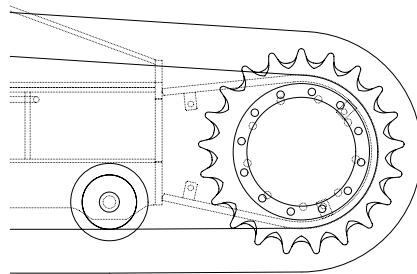
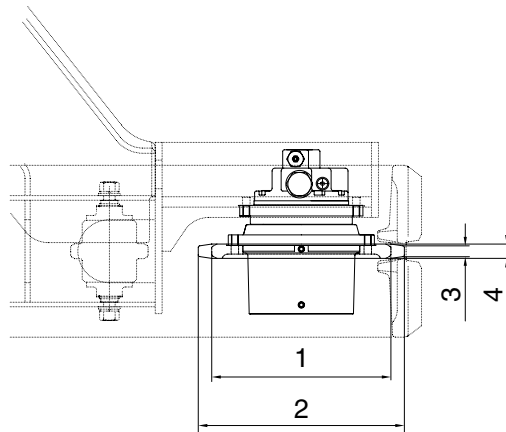


1696MS16

Unit : mm

No	Check item	Criteria				Remedy	
			Standard size	Repair limit			
1	Vertical width of idler guide	Track frame	51	53		Rebuild	
		Idler support	50	48		Rebuild or replace	
2	Horizontal width of idler guide	Track frame	151	155		Rebuild	
		Idler guide	150	146		Rebuild or replace	
3	Recoil spring	Standard size			Repair limit		Replace
		Free length	Installed length	Installed load	Free length	Installed load	
		261	223	880 kg	-	700 kg	

5. SPROCKET

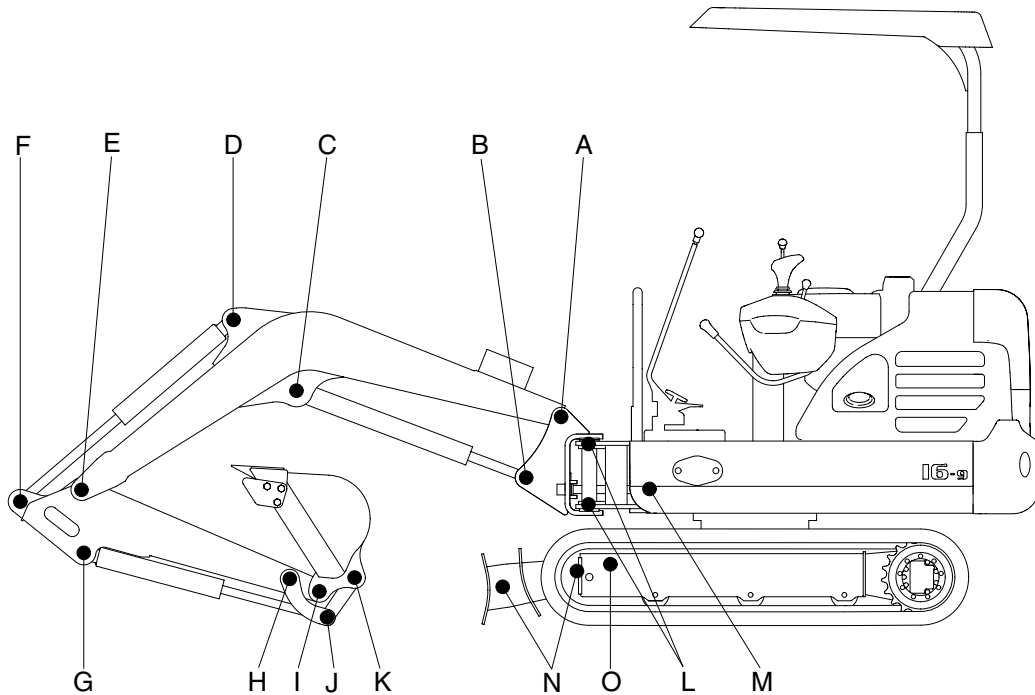


R27Z96MC22

Unit : mm

No	Check item	Criteria		Remedy
		Standard size	Repair limit	
1	Wear out of sprocket tooth lower side diameter	253	247	Rebuild or Replace
2	Wear out of sprocket tooth upper side diameter	292	-	
3	Wear out of sprocket tooth upper side width	16	-	
4	Wear out of sprocket tooth lower side width	22	16	

6. WORK EQUIPMENT



1696MS17

Unit : mm

Mark	Measuring point (Pin and Bushing)	Normal value	Pin		Bushing		Remedy & Remark
			Recomm. service limit	Limit of use	Recomm. service limit	Limit of use	
A	Boom rear	35	34	33.5	35.5	36	Replace
B	Boom cylinder head	30	29	28.5	30.5	31	"
C	Boom cylinder rod	30	29	28.5	30.5	31	"
D	Arm cylinder head	30	29	28.5	30.5	31	"
E	Boom front	30	29	28.5	30.5	31	"
F	Arm cylinder rod	30	29	28.5	30.5	31	"
G	Bucket cylinder head	30	29	28.5	30.5	31	"
H	Arm link	30	29	28.5	30.5	31	"
I	Bucket and arm link	30	29	28.5	30.5	31	"
J	Bucket cylinder rod	30	29	28.5	30.5	31	"
K	Bucket link	30	29	28.5	30.5	31	"
L	Boom swing post	45	44	43.5	45.5	46	"
M	Boom swing cylinder	30	29	28.5	30.5	31	"
N	Blade cylinder	30	29	28.5	30.5	31	"
O	Blade and frame link	30	29	28.5	30.5	31	"