

GROUP 5 CONNECTORS

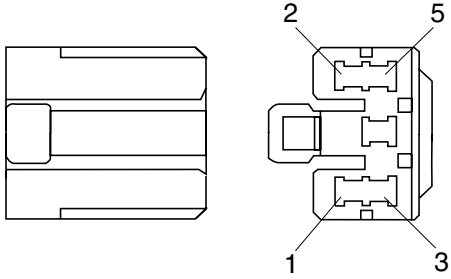
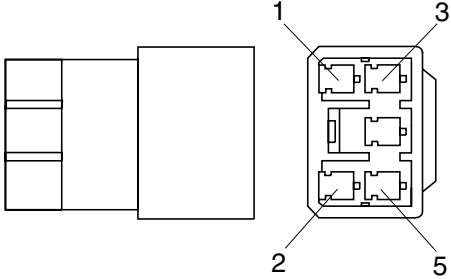
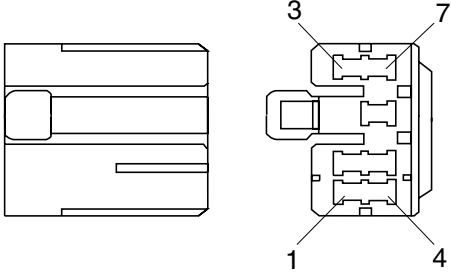
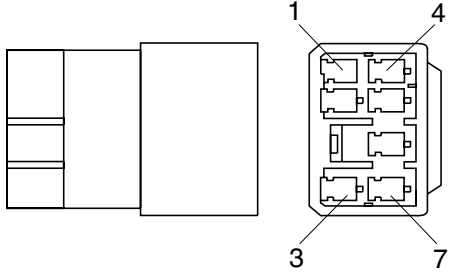
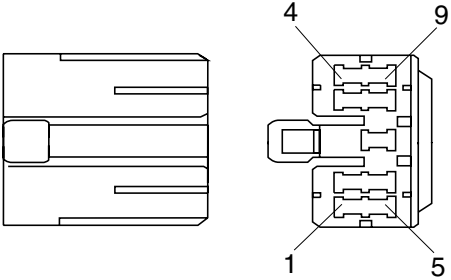
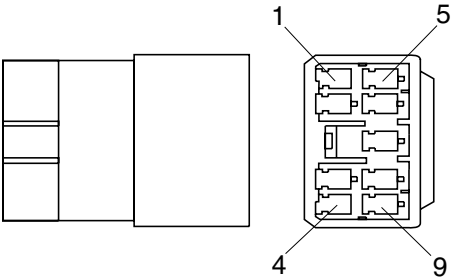
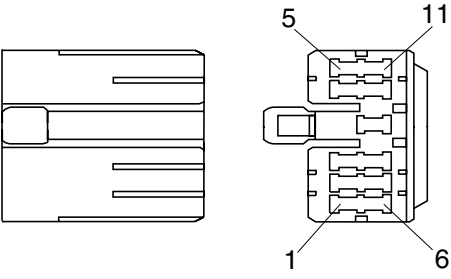
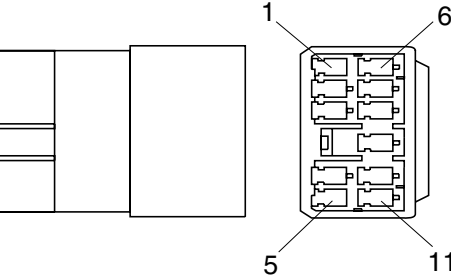
1. CONNECTOR DESTINATION

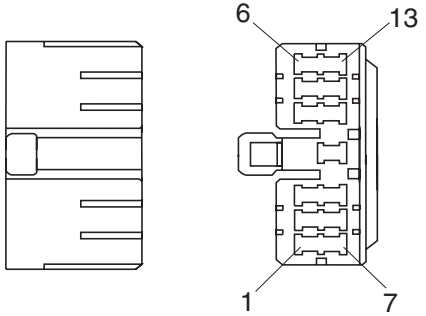
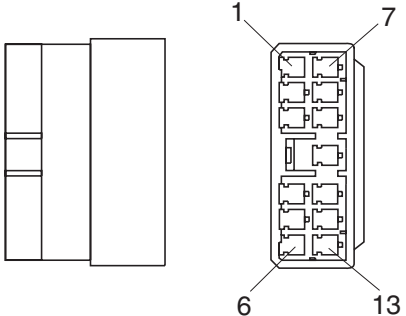
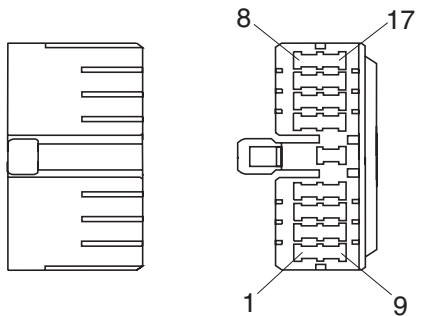
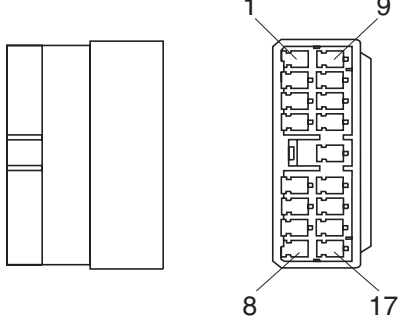
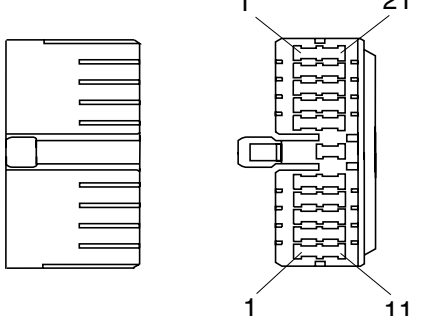
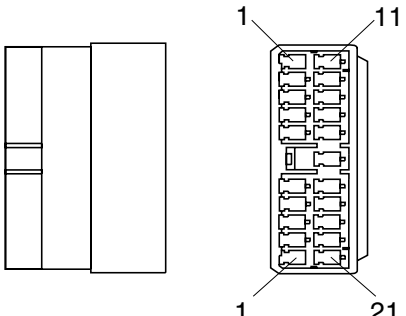
Connector number	Type	No. of pin	Destination	Connector part No.	
				Female	Male
CN-1	AMP	2	I/conn (RH console harness-main harness)	S813-030200	S813-130200
CN-2	AMP	15	I/conn (Main harness-RH console harness)	2-85262-1	368301-1
CN-3	AMP	15	I/conn (Main harness-LH console harness)	2-85262-1	368301-1
CN-4	AMP	4	I/conn (FR RH side harness-main harness)	S810-004202	S810-104202
CN-5	AMP	2	I/conn (Relay harness-main harness)	S813-030201	S813-130201
CN-20	DEUTSCH	2	Horn	DT06-2S-P012	-
CN-36	-	-	Fuse box body	F12890010	-
CN-45	RING TERM	1	Starter	ST710258-2	-
	KET	1	Starter	MG630063	-
CN-48	AMP	3	Hour meter	S810-003202	
CN-56	AMP	17	Cluster	172500-1	-
CN-60	AMP	2	Fusible link	-	S831-130200
CN-68	DEUTSCH	2	Safety solenoid	DT06-2S-P012	-
CN-70	DEUTSCH	2	Travel HI-LO solenoid	DT06-2S-P012	-
CN-74	AMP	2	Alternator	174298-1	-
	-	1		7123-2115	-
	RING TERM	1		S820-305002	-
CN-79	-	1	Fuel cut-off solenoid	S822-014000	-
CN-80	RING TERM	1	Pre heater	GP110021	-
CN-81	SWP	1	Travel buzzer	S822-014000	S822-114000
CN-140	DEUTSCH	2	Quick clamp	DT06-2S-EP06	DT04-2P-E005
CN-145	AMP	2	Fuel feed pump	174298-1	-
CN-165	KET	6	Safety relay	MG610049	-
CN-167	KET	8	Detector	S810-008202	-
CN-258	-	1	Extension valve	DT06-2S-P012	-
LAMP					
CL-2	AMP	3	Cigar light	S810-003202	-
CL-4	DEUTSCH	2	Head lamp	DT06-2S-P012	DT04-2P-E004
CL-5	DEUTSCH	2	Work lamp	DT06-2S-P012	DT04-2P-E004
RELAY					
CR-2	AMP	4	Horn relay	S810-004202	-
CR-23	KET	2	Start relay	MG610043	-
	YAZAKI			S810-001302	
CR-24	SUMITOMO	6	Safety relay	6195-0021	-
CR-35	KET	4	Power relay	MG612017-5	-

Connector number	Type	No. of pin	Destination	Connector part No.	
				Female	Male
CR-36	SUMITOMO	2	Safety relay	6195-0060	-
CR-77	KET	4	Control timer	MG620046	-
CR-79	KET	3	Control timer	MG620044	-
SENSOR					
CD-2	AMP	3	Fuel sender	S816-003002	S816-102002
CD-8	AMP	2	Water temp sender	85202-1	-
CD-9	-	1	Water temp switch	7123-2115	-
CD-10	-	1	Air cleaner	S823-025212	-
CD-11	KET	2	Travel pressure switch	MG640795	-
CD-12	KET	2	Travel pressure switch	MG640795	-
CD-18	-	1	Engine oil pressure	7123-2115	-
DO-1	-	2	Diode	S816-002002	21EA-50570
DO-6	-	2	Diode	S816-002002	21EA-50550
SWITCH					
CS-2	-	2	Start key switch	S813-030201	-
CS-4	AMP	3	Safety switch	-	S814-102001
CS-5	-	1	Horn switch	S822-014002	-
	-	1		-	S822-114002
CS-8	-	10	Travel speed switch	250-10PRG	-
CS-16	-	10	Travel alarm switch	250-10PRG	-
CS-21	-	10	Light switch	250-10PRG	-
CS-23	SWF	10	Spare	593757	-
CS-46	KET	4	Start switch	MG651926	-
CS-67	SWF	10	Quick clamp switch	593757	-
CS-74	RING TERM	1	Battery (+)	ST710287-2	-
CS-83	-	10	Extension valve switch	250-10PRG	-

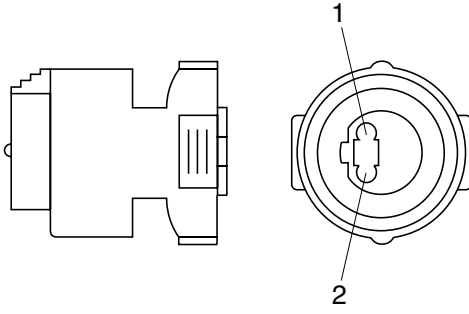
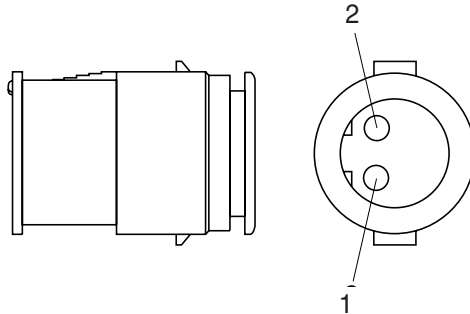
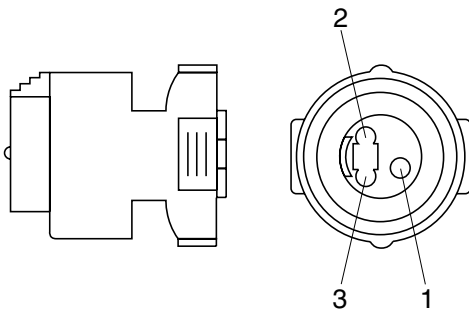
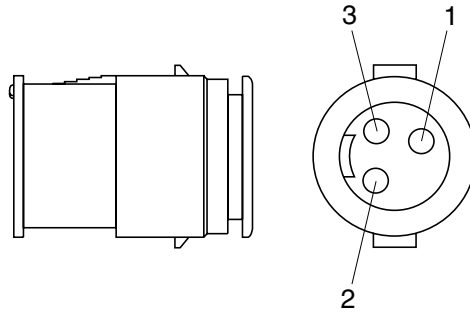
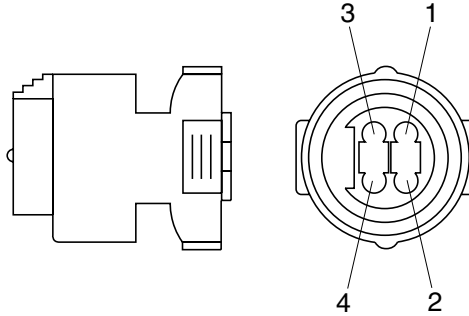
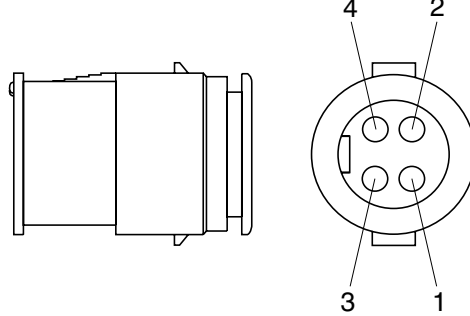
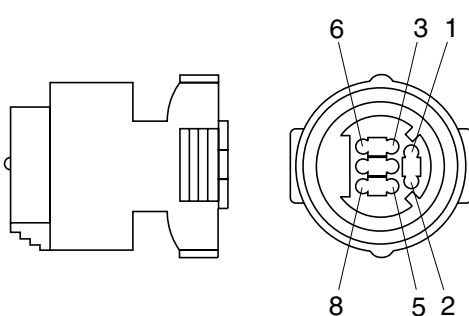
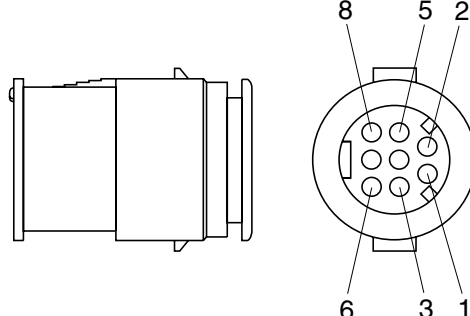
2. CONNECTION TABLE FOR CONNECTORS

1) PA TYPE CONNECTOR

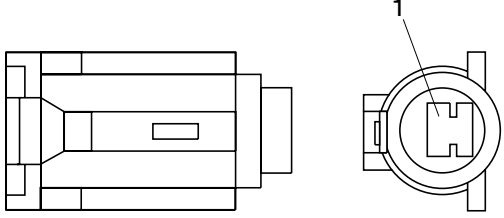
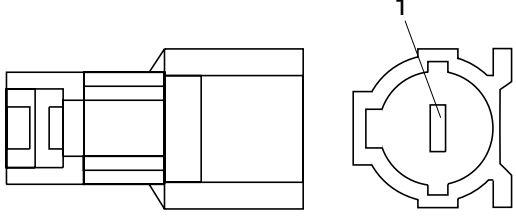
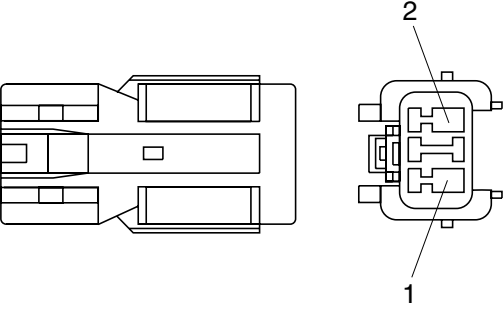
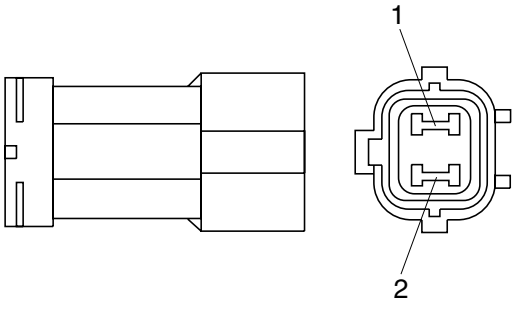
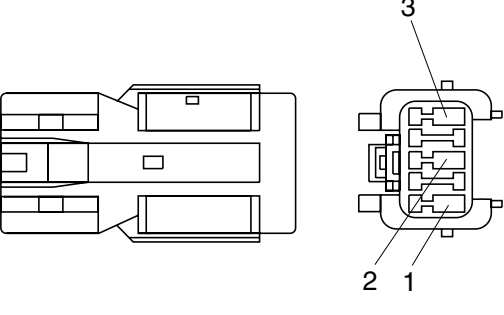
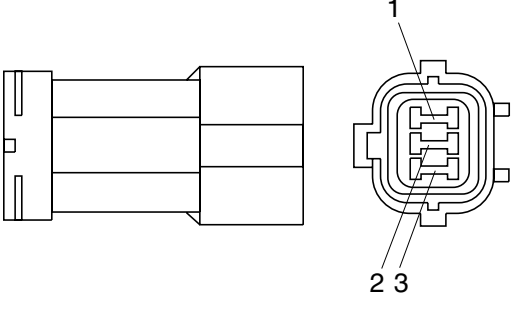
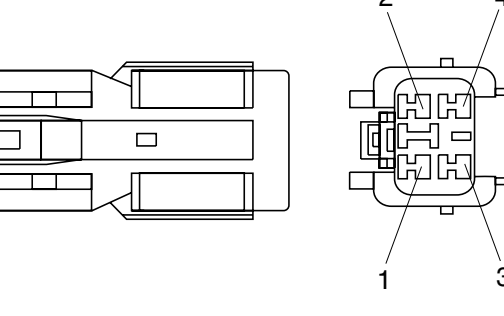
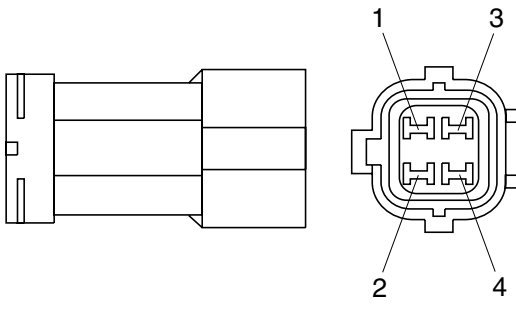
No. of pin	Receptacle connector (female)	Plug connector (male)
5	 <p style="text-align: center;">S811-005002</p>	 <p style="text-align: center;">S811-105002</p>
7	 <p style="text-align: center;">S811-007002</p>	 <p style="text-align: center;">S811-107002</p>
9	 <p style="text-align: center;">S811-009002</p>	 <p style="text-align: center;">3S811-109002</p>
11	 <p style="text-align: center;">S811-011002</p>	 <p style="text-align: center;">S811-111002</p>

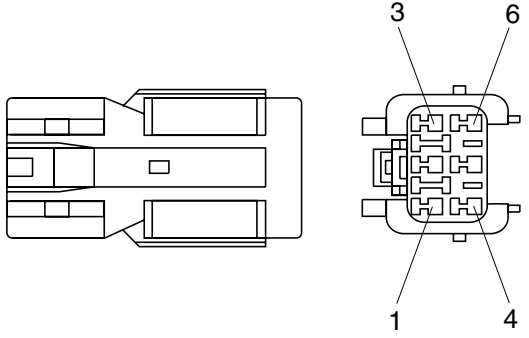
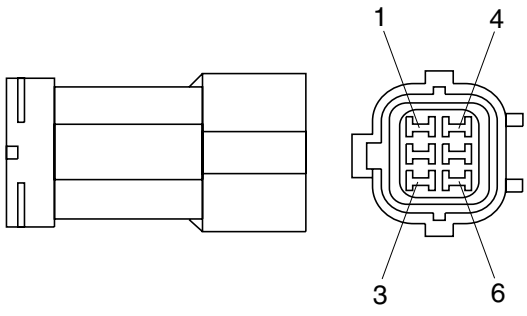
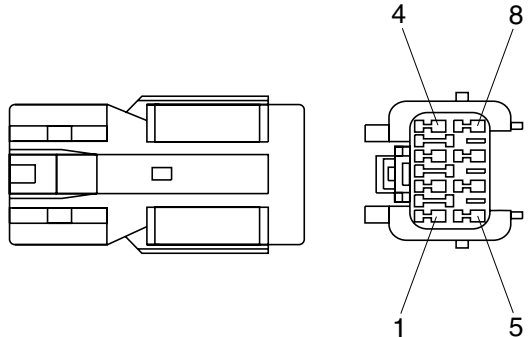
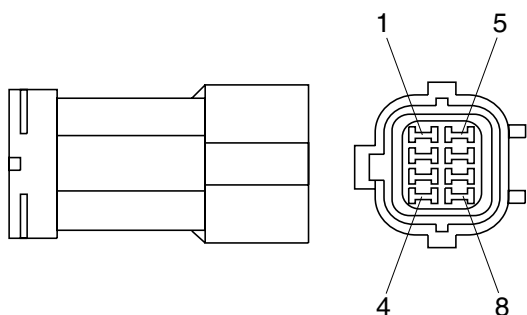
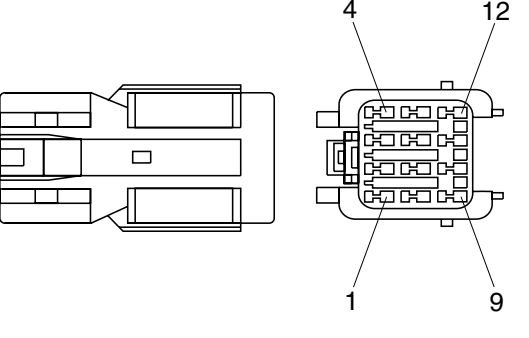
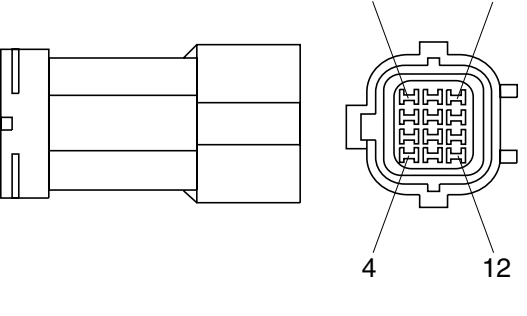
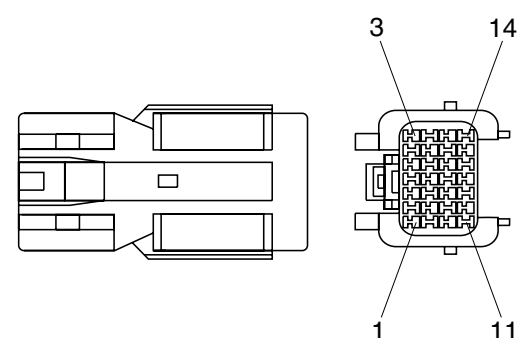
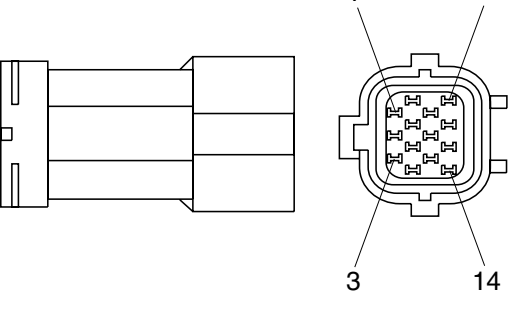
No. of pin	Receptacle connector (female)	Plug connector (male)
13	 <p data-bbox="686 638 837 672">S811-013002</p>	 <p data-bbox="1244 638 1396 672">S811-113002</p>
17	 <p data-bbox="686 1041 837 1075">S811-017002</p>	 <p data-bbox="1244 1041 1396 1075">S811-117002</p>
21	 <p data-bbox="686 1444 837 1478">S811-021002</p>	 <p data-bbox="1244 1444 1396 1478">S811-121002</p>

2) J TYPE CONNECTOR

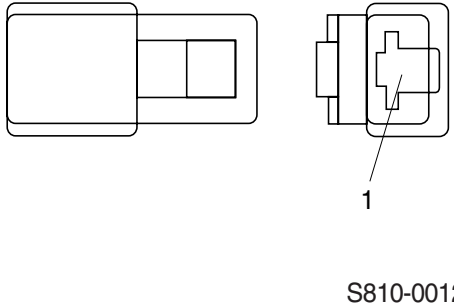
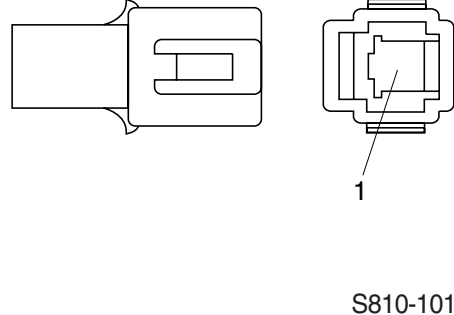
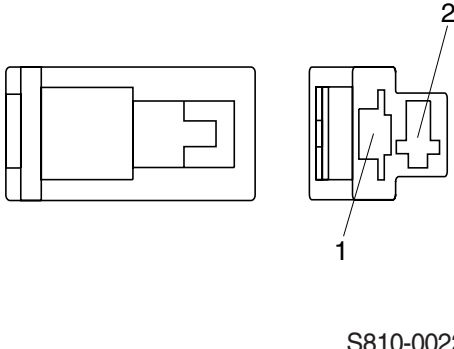
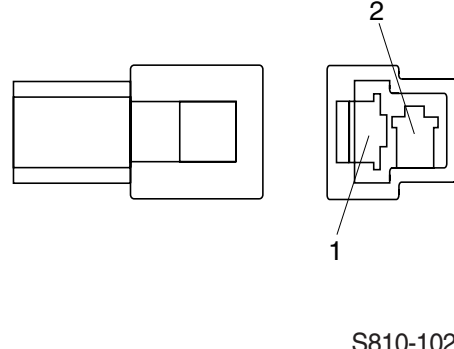
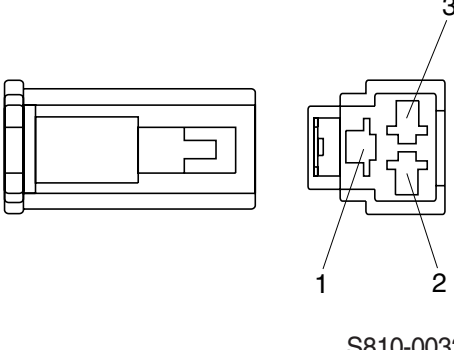
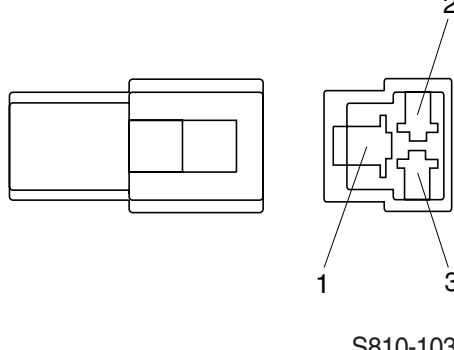
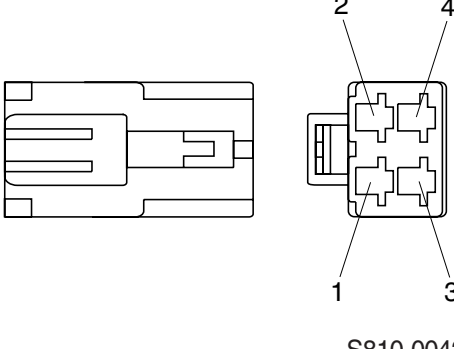
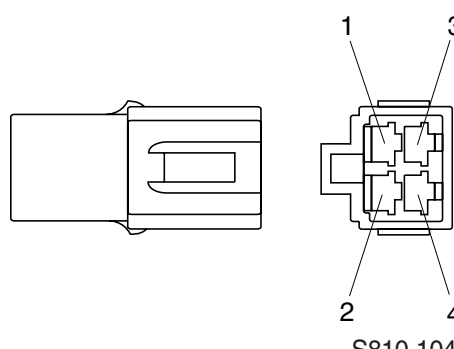
No. of pin	Receptacle connector (female)	Plug connector (male)
2	 <p style="text-align: center;">S816-002001</p>	 <p style="text-align: center;">S816-102001</p>
3	 <p style="text-align: center;">S816-003001</p>	 <p style="text-align: center;">S816-103001</p>
4	 <p style="text-align: center;">S816-004001</p>	 <p style="text-align: center;">S816-104001</p>
8	 <p style="text-align: center;">S816-008001</p>	 <p style="text-align: center;">S816-108001</p>

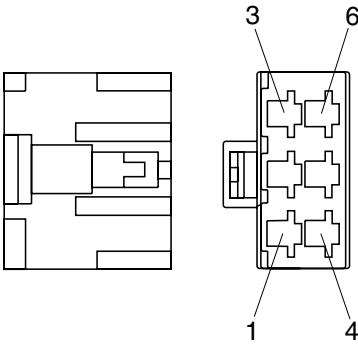
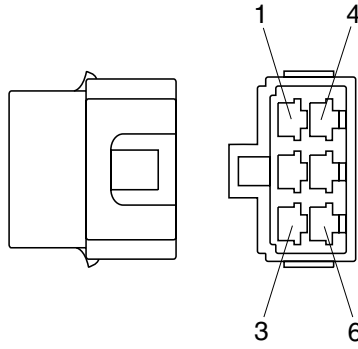
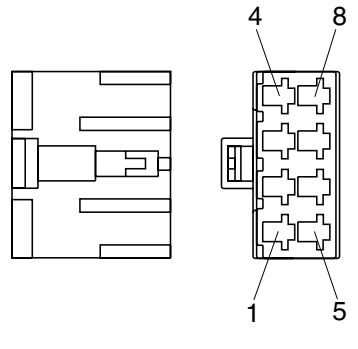
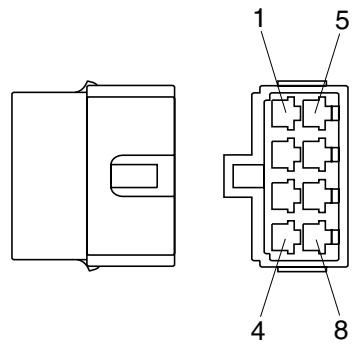
3) SWP TYPE CONNECTOR

No. of pin	Receptacle connector (female)	Plug connector (male)
1	 <p data-bbox="687 680 836 712">S814-001000</p>	 <p data-bbox="1241 680 1390 712">S814-101000</p>
2	 <p data-bbox="687 1088 836 1120">S814-002000</p>	 <p data-bbox="1241 1088 1390 1120">S814-102000</p>
3	 <p data-bbox="687 1498 836 1529">S814-003000</p>	 <p data-bbox="1241 1498 1390 1529">S814-103000</p>
4	 <p data-bbox="687 1908 836 1939">S814-004000</p>	 <p data-bbox="1241 1908 1390 1939">S814-104000</p>

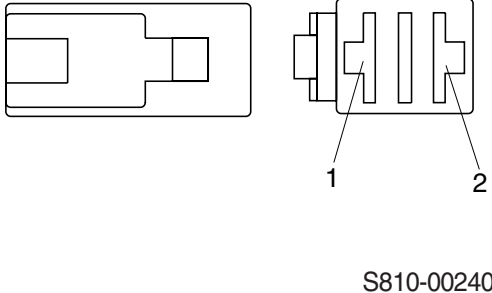
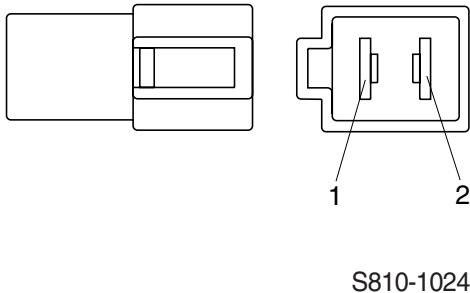
No. of pin	Receptacle connector (female)	Plug connector (male)
6	 <p data-bbox="686 638 837 672">S814-006000</p>	 <p data-bbox="1244 638 1396 672">S814-106000</p>
8	 <p data-bbox="686 1041 837 1075">S814-008000</p>	 <p data-bbox="1244 1041 1396 1075">S814-108000</p>
12	 <p data-bbox="686 1444 837 1478">S814-012000</p>	 <p data-bbox="1244 1444 1396 1478">S814-112000</p>
14	 <p data-bbox="686 1848 837 1881">S814-014000</p>	 <p data-bbox="1244 1848 1396 1881">S814-114000</p>

4) CN TYPE CONNECTOR

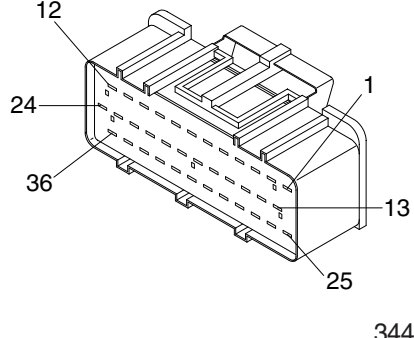
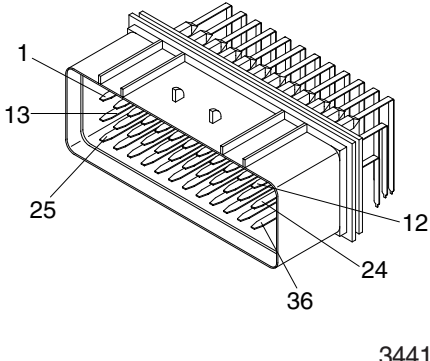
No. of pin	Receptacle connector (female)	Plug connector (male)
1	 <p style="text-align: center;">S810-001202</p>	 <p style="text-align: center;">S810-101202</p>
2	 <p style="text-align: center;">S810-002202</p>	 <p style="text-align: center;">S810-102202</p>
3	 <p style="text-align: center;">S810-003202</p>	 <p style="text-align: center;">S810-103202</p>
4	 <p style="text-align: center;">S810-004202</p>	 <p style="text-align: center;">S810-104202</p>

No. of pin	Receptacle connector (female)	Plug connector (male)
6	 <p data-bbox="686 638 837 672">S810-006202</p>	 <p data-bbox="1244 638 1396 672">S810-106202</p>
8	 <p data-bbox="686 1041 837 1075">S810-008202</p>	 <p data-bbox="1244 1041 1396 1075">S810-108202</p>

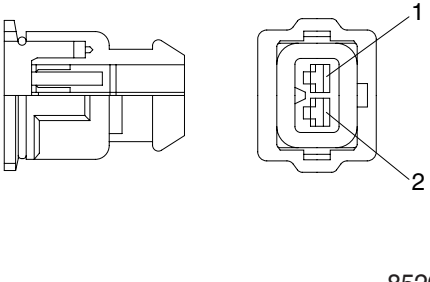
5) 375 FASTEN TYPE CONNECTOR

No. of pin	Receptacle connector (female)	Plug connector (male)
2	 <p style="text-align: center;">S810-002402</p>	 <p style="text-align: center;">S810-102402</p>

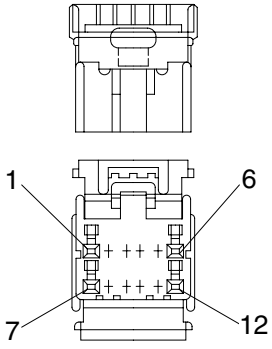
6) AMP ECONOSEAL CONNECTOR

No. of pin	Receptacle connector (female)	Plug connector (male)
36	 <p style="text-align: center;">344111-1</p>	 <p style="text-align: center;">344108-1</p>

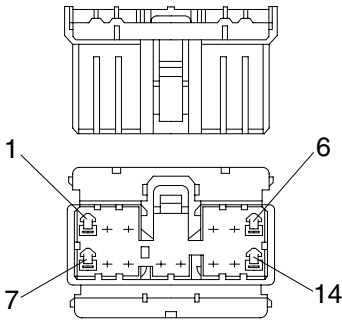
7) AMP TIMER CONNECTOR

No. of pin	Receptacle connector (female)	Plug connector (male)
2	 <p style="text-align: center;">85202-1</p>	

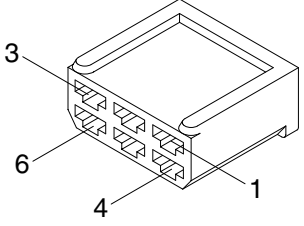
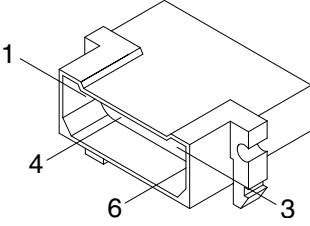
8) AMP 040 MULTILOCK CONNECTOR

No. of pin	Receptacle connector (female)	Plug connector (male)
12		

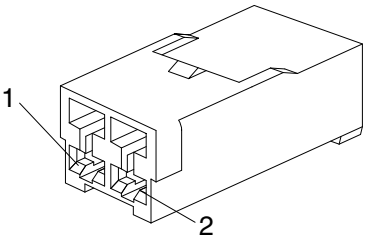
9) AMP 070 MULTILOCK CONNECTOR

No. of pin	Receptacle connector (female)	Plug connector (male)
14		

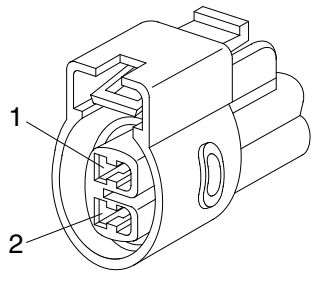
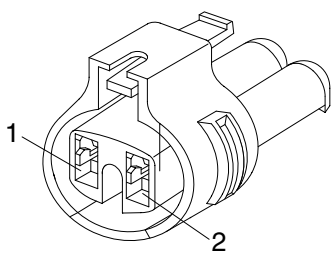
10) AMP FASTIN - FASTON CONNECTOR

No. of pin	Receptacle connector (female)	Plug connector (male)
6		

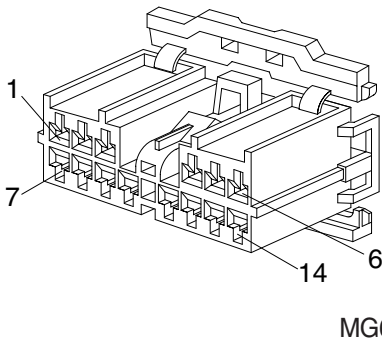
11) KET 090 CONNECTOR

No. of pin	Receptacle connector (female)	Plug connector (male)
2	 <p style="text-align: right;">MG610070</p>	

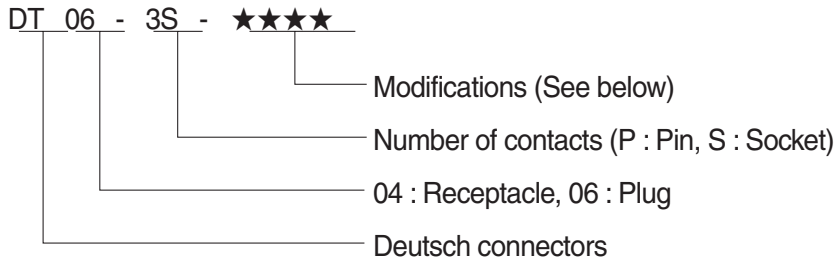
12) KET 090 WP CONNECTORS

No. of pin	Receptacle connector (female)	Plug connector (male)
2	 <p style="text-align: right;">MG640605</p>	
2	 <p style="text-align: right;">MG640795</p>	

13) KET SDL CONNECTOR

No. of pin	Receptacle connector (female)	Plug connector (male)
14	 <p style="text-align: right;">MG610406</p>	

14) DEUTSCH DT CONNECTORS



※ Modification

E003 : Standard end cap - gray

E004 : Color of connector to be black

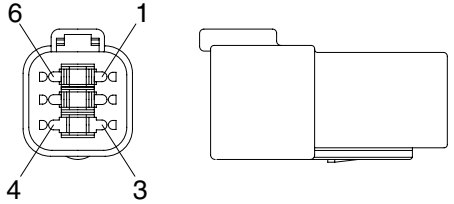
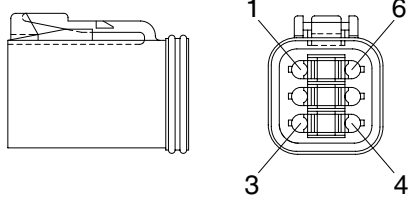
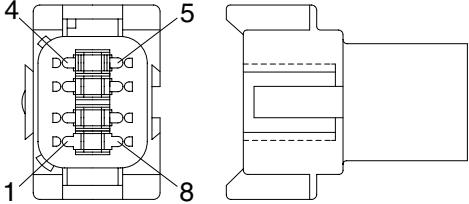
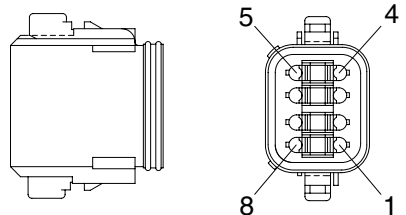
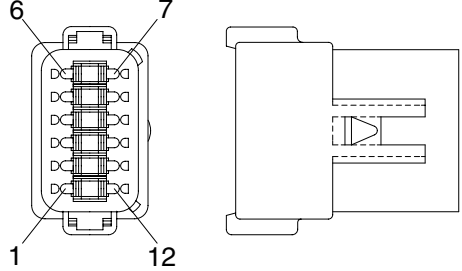
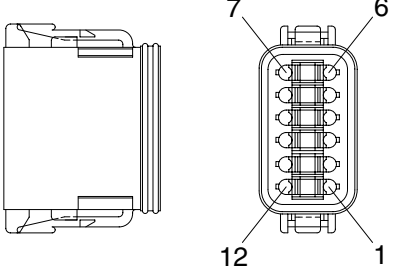
E005 : Combination - E004 & E003

EP04 : End cap

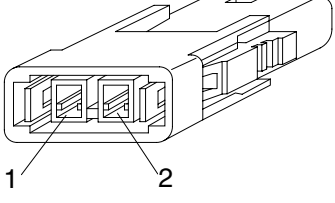
EP06 : Combination P012 & EP04

P012 : Front seal enhancement - connectors color to black for 2, 3, 4 & 6pin

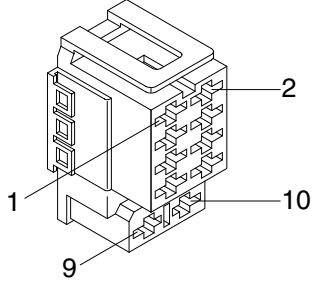
No. of pin	Receptacle connector (female)	Plug connector (male)
2	<p>DT06-2S</p>	<p>DT04-2P</p>
3	<p>DT06-3S</p>	<p>DT04-3P</p>
4	<p>DT06-4S</p>	<p>DT04-4P</p>

No. of pin	Receptacle connector (female)	Plug connector (male)
6	 <p style="text-align: right;">DT06-6S</p>	 <p style="text-align: right;">DT04-6P</p>
8	 <p style="text-align: right;">DT06-8S</p>	 <p style="text-align: right;">DT04-8P</p>
12	 <p style="text-align: right;">DT06-12S</p>	 <p style="text-align: right;">DT04-12P</p>

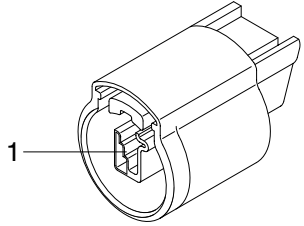
15) MOLEX 2CKTS CONNECTOR

No. of pin	Receptacle connector (female)	Plug connector (male)
2	 <p style="text-align: right;">35215-0200</p>	

16) ITT SWF CONNECTOR

No. of pin	Receptacle connector (female)	Plug connector (male)
10	 <p style="text-align: right;">SWF593757</p>	

17) MWP NMWP CONNECTOR

No. of pin	Receptacle connector (female)	Plug connector (male)
1	 <p style="text-align: right;">NMWP01F-B</p>	