

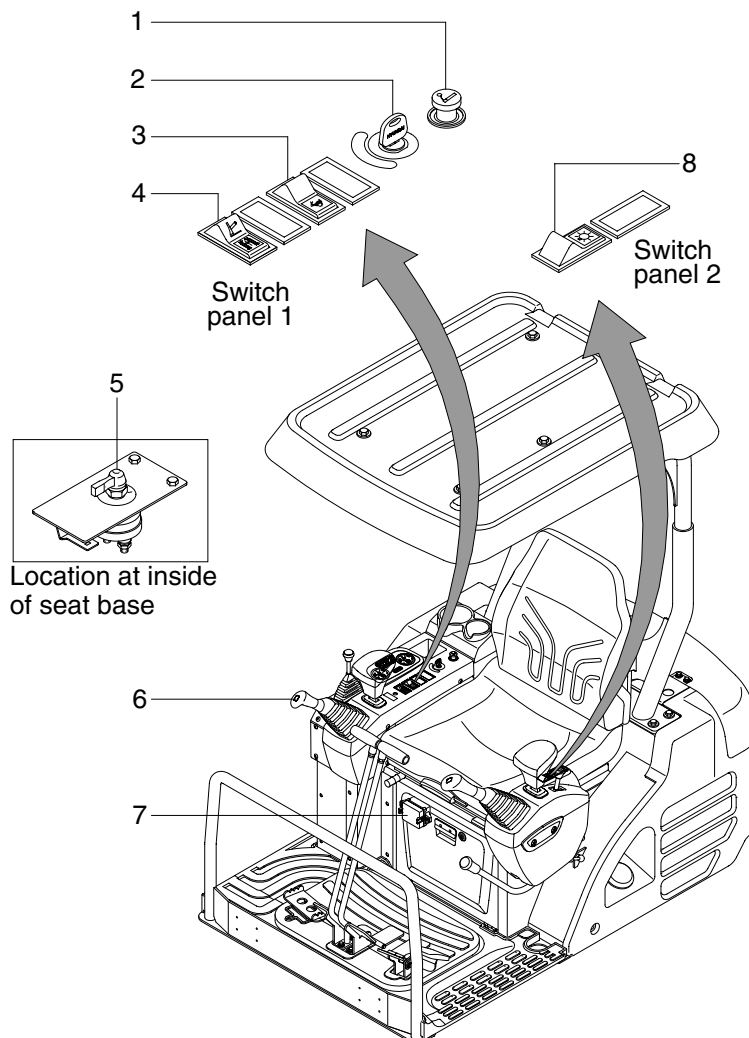
SECTION 4 ELECTRICAL SYSTEM

Group 1 Component Location	4-1
Group 2 Monitoring system	4-3
Group 3 Electrical Circuit	4-9
Group 4 Electrical Component Specification	4-21
Group 5 Connectors	4-27

SECTION 4 ELECTRICAL SYSTEM

GROUP 1 COMPONENT LOCATION

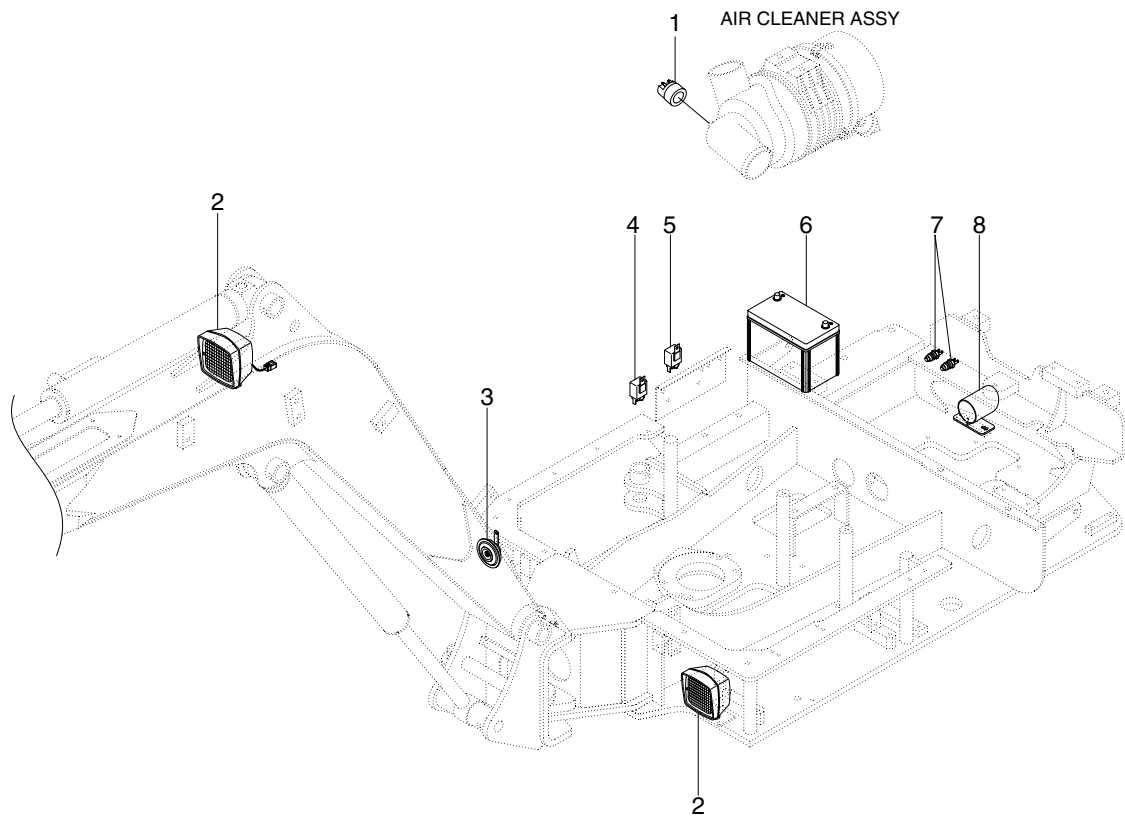
1. LOCATION 1



1694EL02

- | | | | | | |
|---|-----------------------------|---|--------------------------|---|-------------------|
| 1 | Cigar light | 4 | Extension crawler switch | 7 | Fuse box |
| 2 | Start switch | 5 | Master switch | 8 | Main light switch |
| 3 | Travel speed control switch | 6 | Horn switch | | |

2. LOCATION 2



1694EL01

- | | | | | | |
|---|-----------------------------|---|-------------|---|--------------------------|
| 1 | Air cleaner pressure switch | 4 | Relay | 7 | Water temperature sender |
| 2 | Work lamp | 5 | Power relay | 8 | Travel alarm buzzer |
| 3 | Horn | 6 | Battery | | |