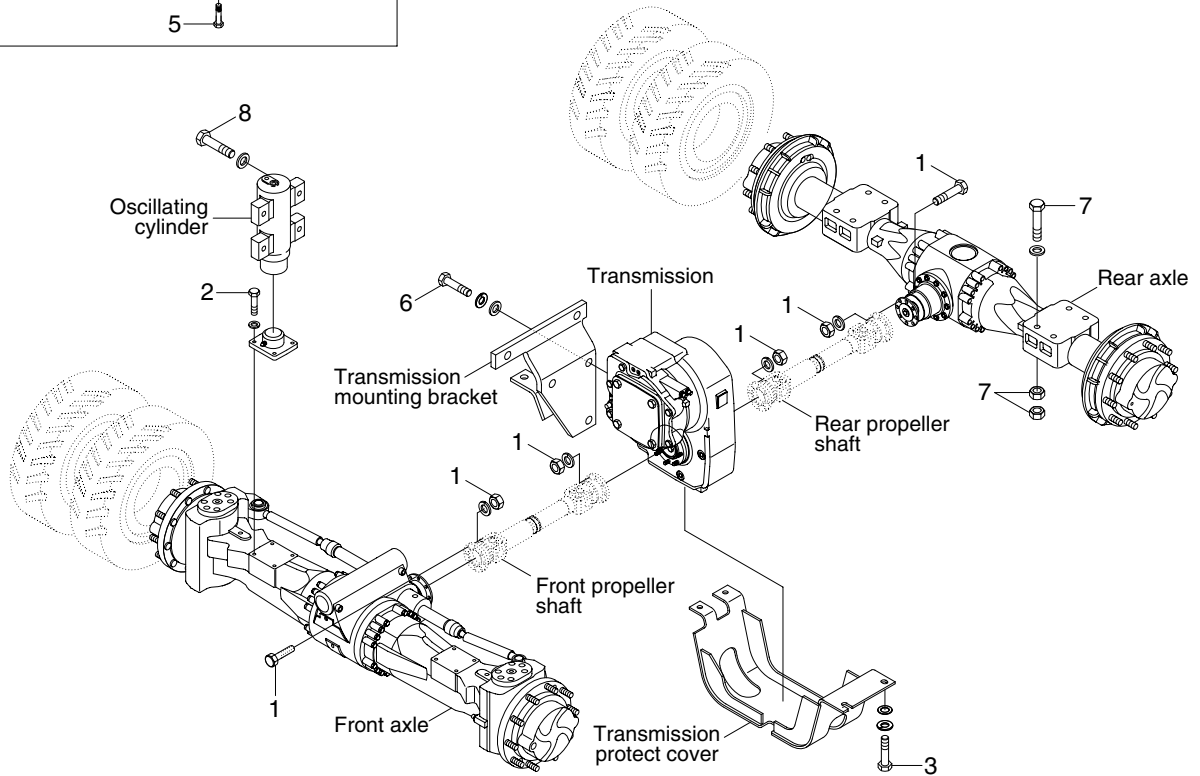
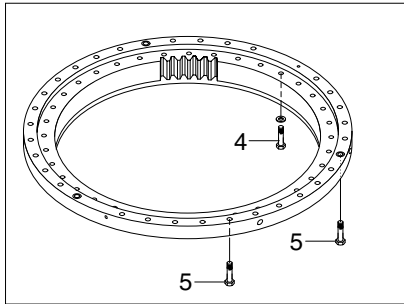


GROUP 5 POWER SYSTEM

1. POWER TRAIN MOUNTION

Swing bearing



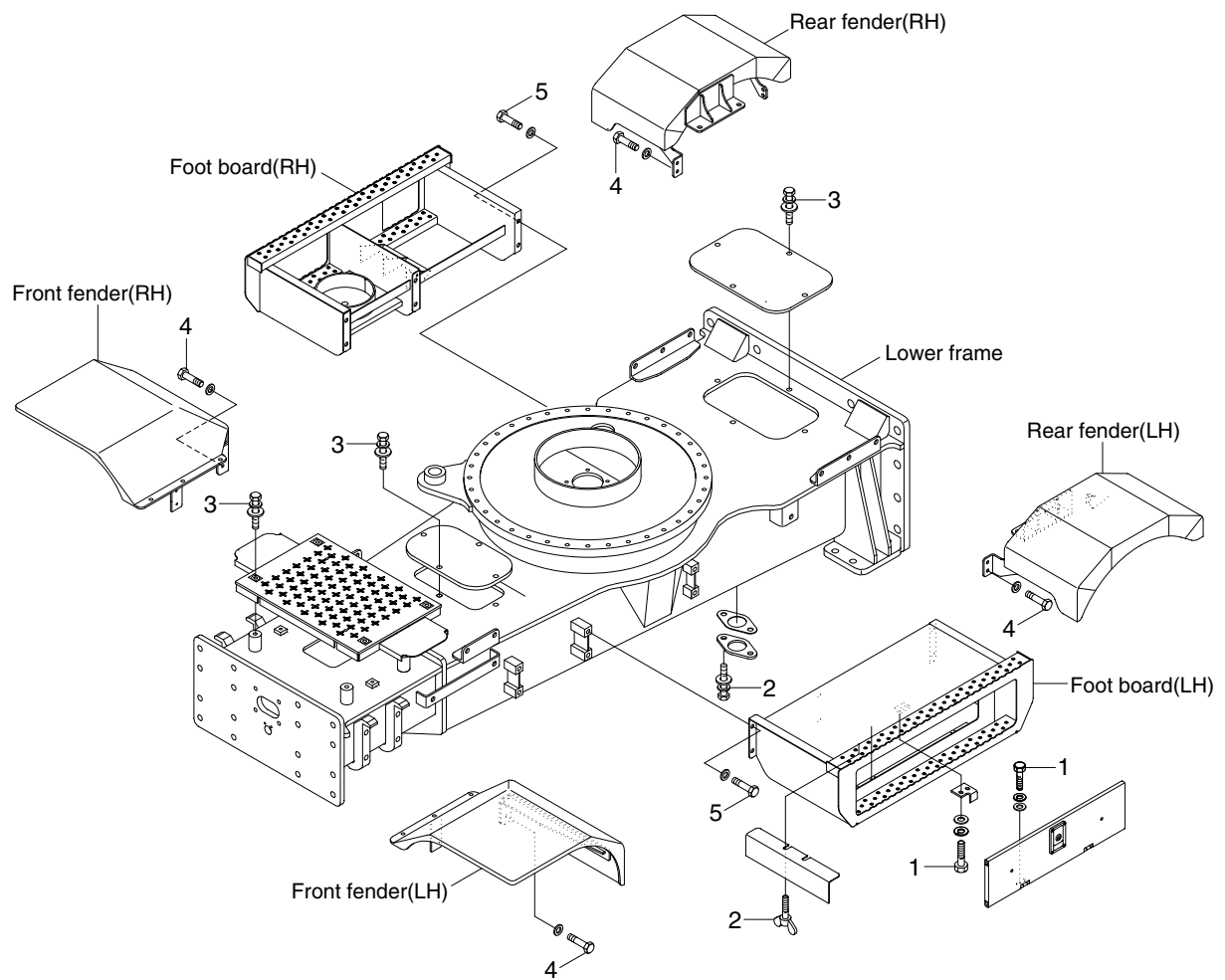
14W99CM08

· Tightening torque

Item	Size	kgf · m	kgf · m
1	M10×1.0	5.9±0.6	42.7±4.3
2	M12×1.75	12.3±2.5	89.0±18
3	M16×2.0	29.7±4.5	215±32.5
4	M16×1.5	31.3±3.2	226±23

Item	Size	kgf · m	kgf · m
5	M18×2.5	41.3±4.5	299±44.8
6	M20×2.5	58.4±6.4	422±46.3
7	M20×2.5	58±6.3	420±46
8	M22×1.5	83.2±9.2	602±66.5

2. COVER AND FOOT BOARD



14W99CM09

· Tightening torque

Item	Size	kgf · m	kgf · m
1	M 8×1.25	2.5±0.5	18.1±3.6
2	M10×1.5	6.9±1.4	49.9±10.1
3	M12×1.75	12.8±3.0	92.6±21.7

Item	Size	kgf · m	kgf · m
4	M16×2.0	29.7±4.5	215±32.5
5	M20×2.5	57.9±8.7	419±62.9
-	-	-	-