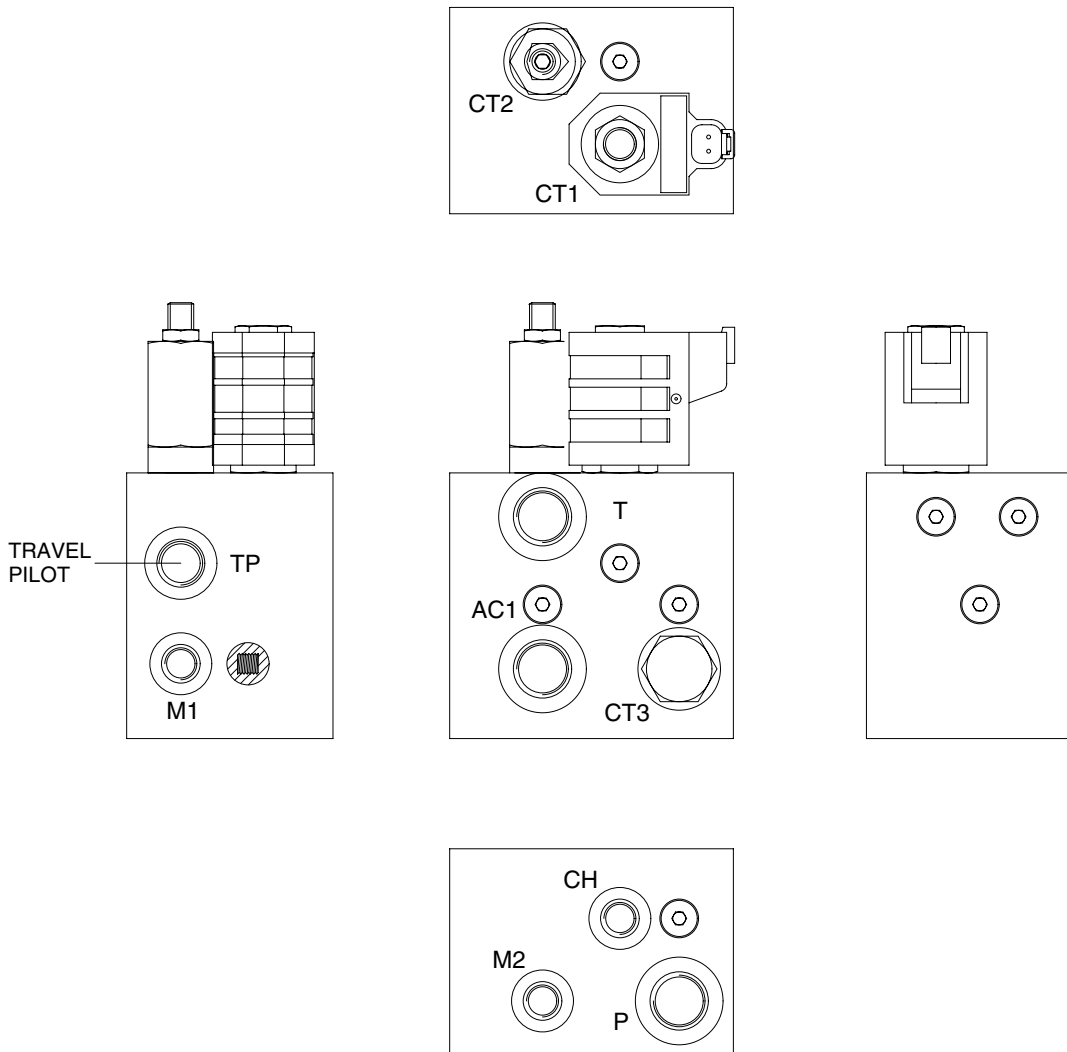
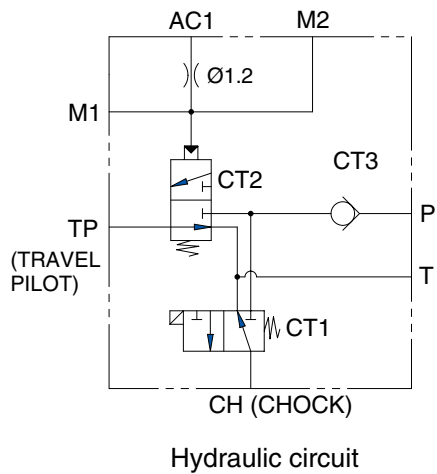


GROUP 9 TRAVEL CONTROL VALVE

1. STRUCTURE

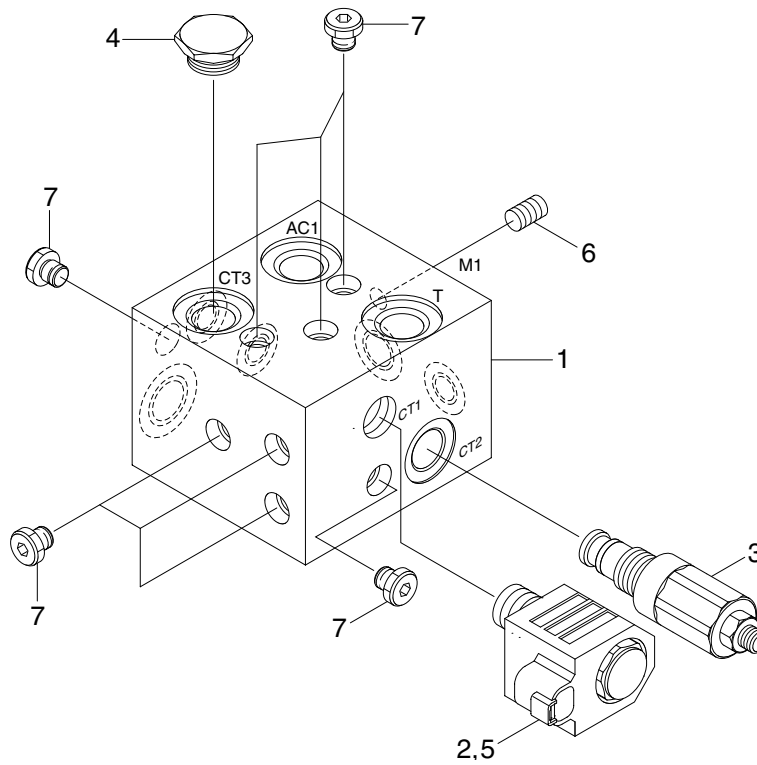


14W7A2TCV02



Port name	Port size
P, T, AC1	PF 1/2
TP	PF 3/8
M1, M2, CH	PF 1/4

2. COMPONENT



- 1 Body
- 2 Solenoid valve
- 3 POD valve
- 4 Check valve

- 5 Coil
- 6 Orifice
- 7 Plug

14W7A2TCV01