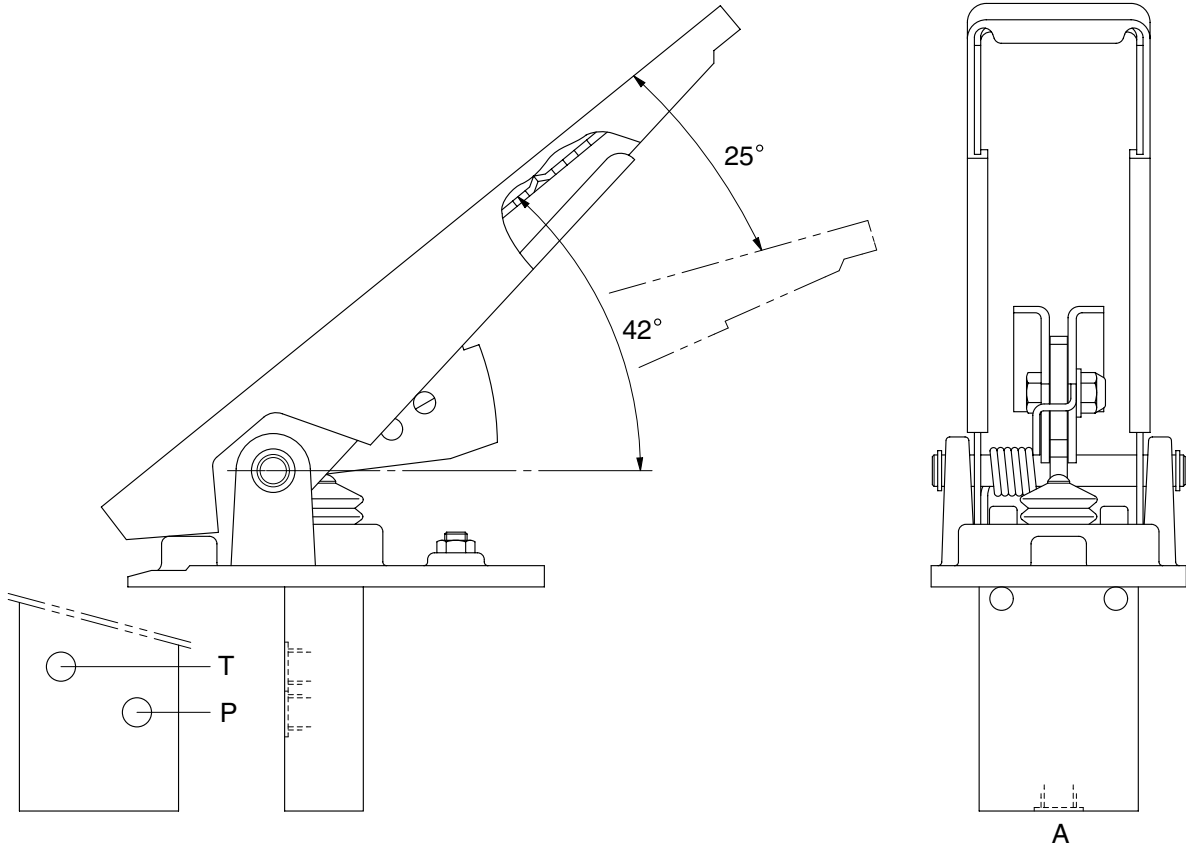


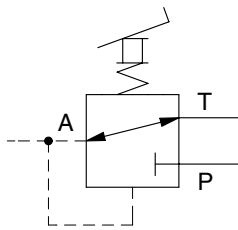
GROUP 6 ACCELERATOR PEDAL

1. STRUCTURE

The casing has the oil inlet port P (primary pressure), and the oil return port T (tank). In addition the secondary pressure is taken out through port A.



17032RP01



Hydraulic circuit

Port	Port name	Port size
P	Pilot oil inlet port	PF 1/4
T	Pilot oil return port	
A	Pilot oil output port	

17032RP01(2)