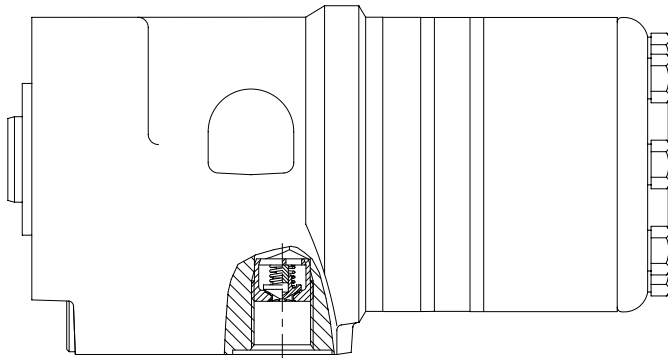
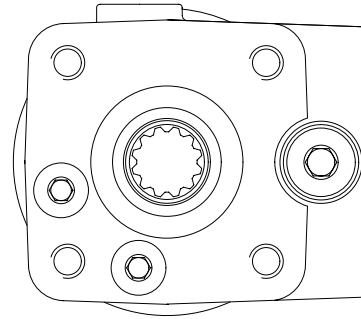
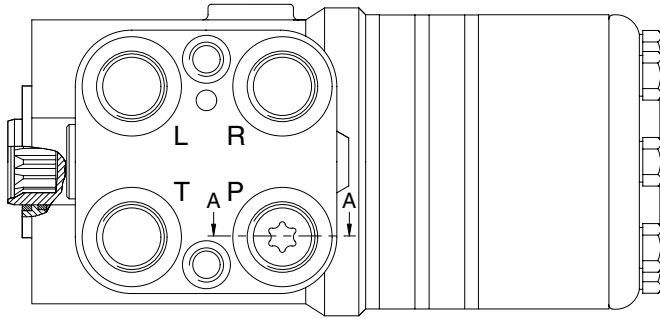
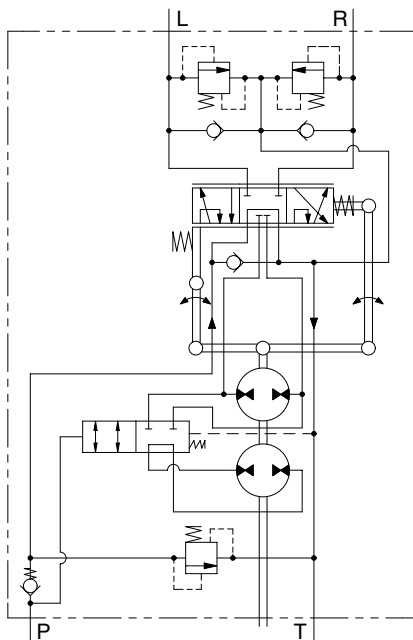


# GROUP 10 STEERING VALVE

## 1. STRUCTURE



SECTION A-A

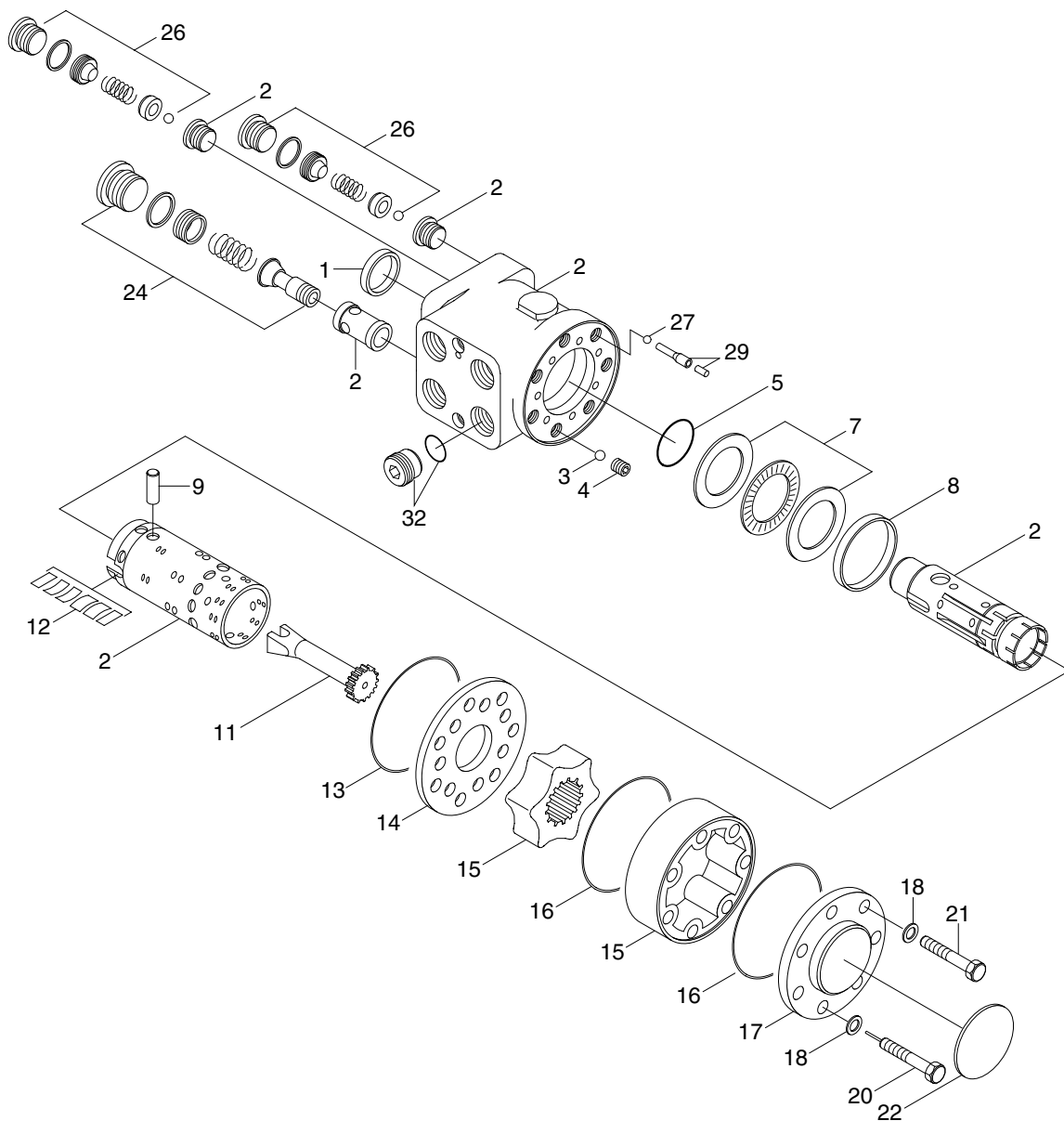


Hydraulic circuit

Port	Port name	Port size
L	Left port	3/4-16UNF
R	Right port	
T	Tank port	
P	Pump port	

14W92SV01

## 2. COMPONENTS



14W7A2STV01

- |   |                        |    |                   |    |                       |
|---|------------------------|----|-------------------|----|-----------------------|
| 1 | Dust seal              | 11 | Shaft             | 20 | Pin screw             |
| 2 | Housing, spool, sleeve | 12 | Spring set        | 21 | Screw                 |
| 3 | Ball                   | 13 | O-ring            | 22 | Name plate            |
| 4 | Bushing                | 14 | Distributor plate | 24 | Pressure relief valve |
| 5 | O-ring                 | 15 | Gear wheel set    | 26 | Shock valve           |
| 7 | Bearing assy           | 16 | O-ring            | 27 | Ball                  |
| 8 | Ring                   | 17 | End cover         | 29 | Bushing               |
| 9 | Cross pin              | 18 | Washer            | 32 | Check valve           |