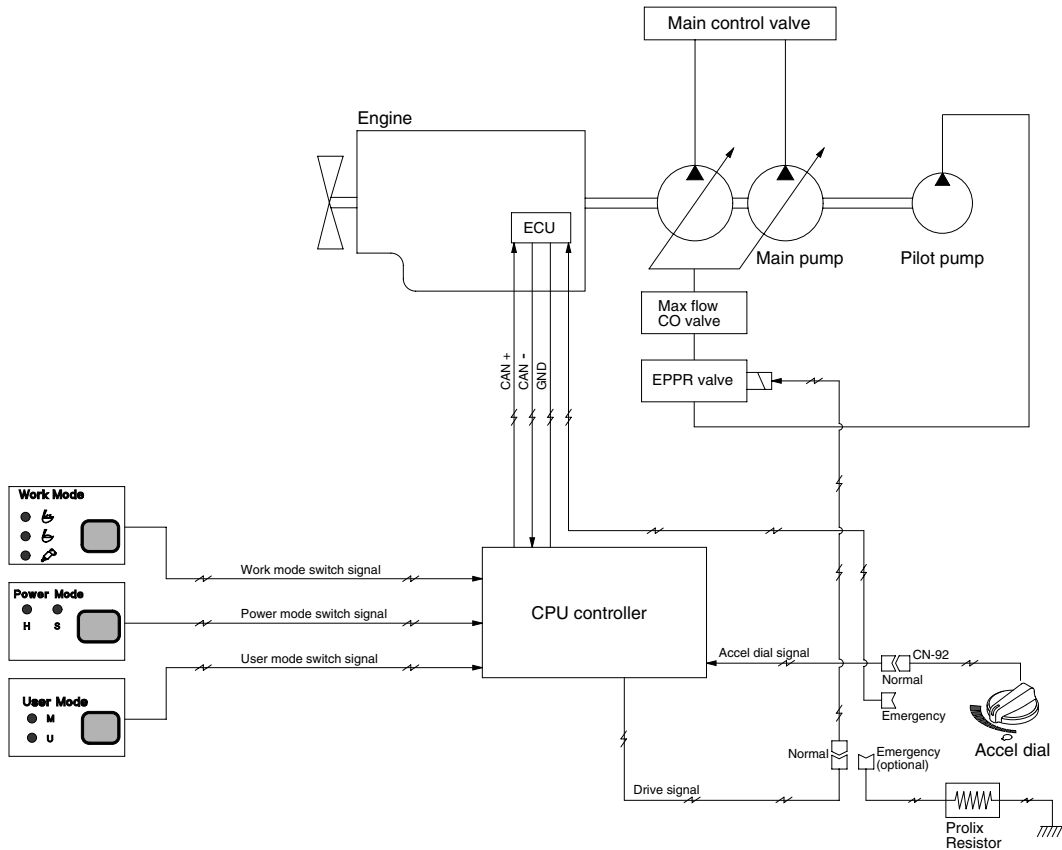


GROUP 2 MODE SELECTION SYSTEM

1. POWER MODE SELECTION SYSTEM



2107A5MS02

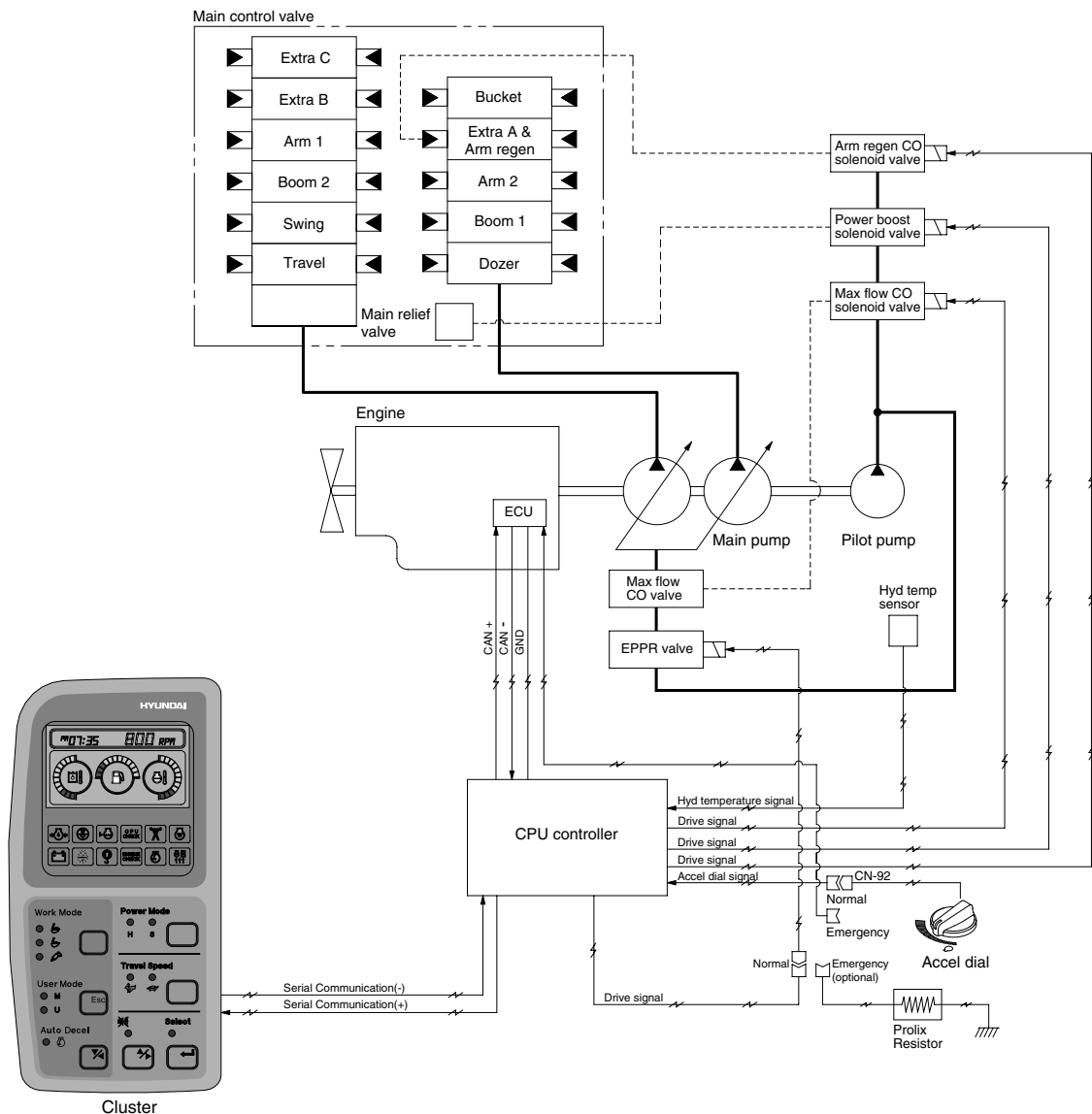
Mode selection system(Micro computer based electro-hydraulic pump and engine mutual control system) optimizes the engine and pump performance.

The combination of 2 power modes(H, S) and accel dial position(10 set) makes it possible to use the engine and pump power more effectively corresponding to the work conditions from a heavy and great power requesting work to a light and precise work.

Mode	Application	Engine rpm				Power shift by EPPR valve			
		Ver 5.1 (STD)		Ver 6.1 (OPT)		Ver 5.1 (STD)		Ver 6.1 (OPT)	
		Unload	Load	Unload	Load	Current (mA)	Pressure (kgf/cm ²)	Current (mA)	Pressure (kgf/cm ²)
M	Maximum power	2000±50	1900	2000±50	1900	235±30	5	160	0
H	High power	1900±50	1800	1900	1800	322±30	10	235	5
S	Standard power	1800±50	1700	1800	1700	322±30	10	322	10
AUTO DECEL	Engine deceleration	1000±100	-	1000±100	-	700±30	35	700±30	35
One touch decel	Engine quick deceleration	850±100	-	850±100	-	700±30	35	700±30	35
KEY START	Key switch start position	850±100	-	850±100	-	700±30	35	700±30	35

2. WORK MODE SELECTION SYSTEM

3 work modes can be selected for the optional work speed of the machine operation.



14W7A5MS03

1) HEAVY DUTY WORK MODE

The arm regeneration cut off solenoid is deactivated to make the arm operation speed faster.

2) GENERAL WORK MODE

When key switch is turned ON, this mode is selected and controllability is better than heavy duty work mode.

3) BREAKER OPERATION MODE

It sets the pump flow to the optimal operation of breaker by activating the max flow cut-off solenoid.

Work mode	Arm regeneration cut off solenoid	Max flow cut-off solenoid
Heavy duty	OFF	OFF
General	ON	OFF
Breaker	OFF	ON

3. USER MODE SELECTION SYSTEM

An operator can change the engine and pump power and memorize it for his preference.

Mode	Operation
U	High idle rpm, auto decel rpm EPPR pressure can be modulated and memorized separately

HOW TO MODULATE THE MEMORY SET

- 1) Each memory mode has a initial set which are mid-range of max engine speed, auto decel rpm, and EPPR valve input current.
- 2) High idle rpm, auto decel rpm, EPPR pressure can be modulated and memorized separately in the U-mode.

※ Refer to the page 5-30 for set of user mode.

· LCD segment vs parameter setting

Segment ()	ACCEL (rpm)	DECEL (rpm)	EPPR (mA)
1	1650	800	137
2	1700	Low idle (850)	192
3	1750	900	235
4	1800	950	281
5	1850	Decel rpm (1000)	329
6	1900	1050	379
7	1950	1100	428
8	2000	1150	478
9	2050	1200	528
10	2100	1250	638

