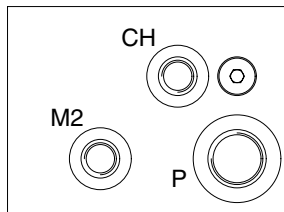
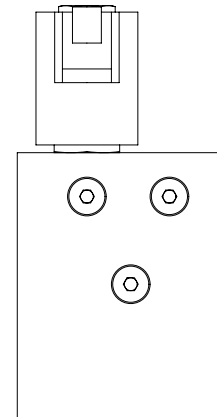
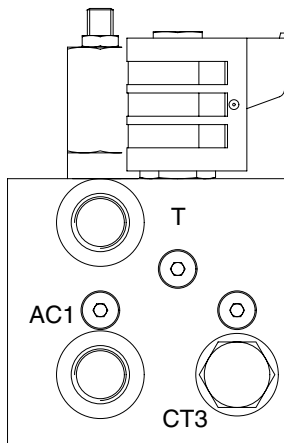
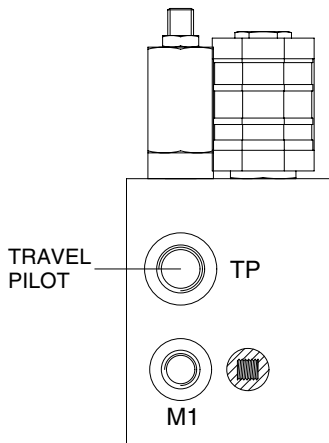
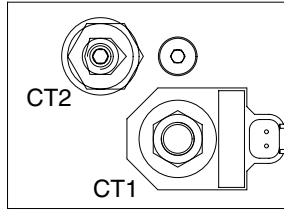
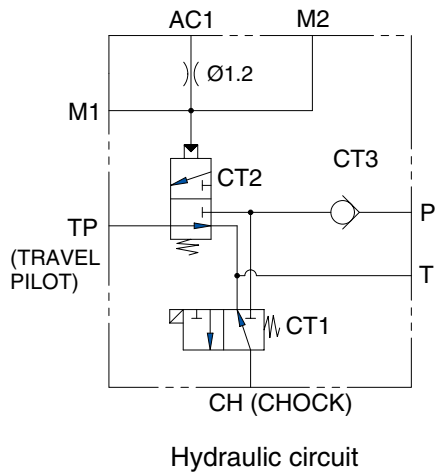


# GROUP 9 TRAVEL CONTROL VALVE

## 1. STRUCTURE

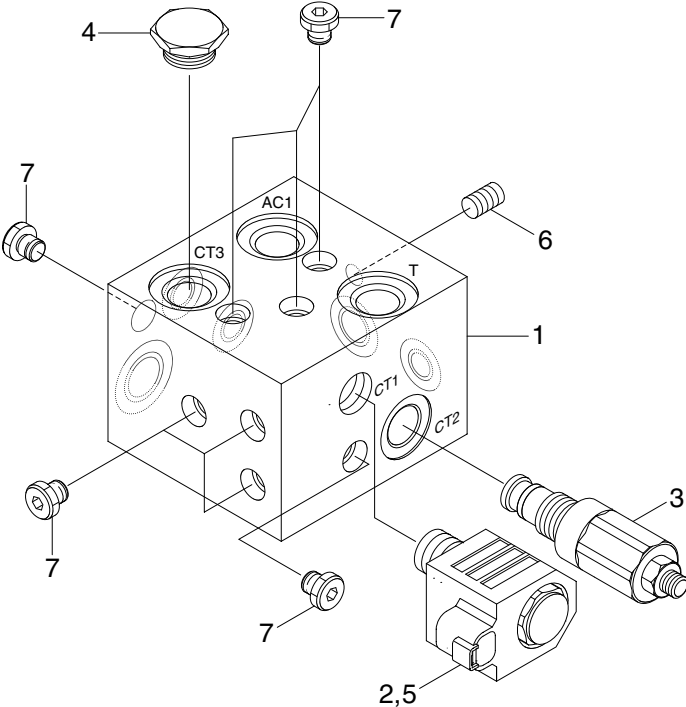


14W7A2TCV02



Port name	Port size
P, T, AC1	PF 1/2
TP	PF 3/8
M1, M2, CH	PF 1/4

## 2. COMPONENT



14W7A2TCV01

- |   |                |   |         |
|---|----------------|---|---------|
| 1 | Body           | 5 | Coil    |
| 2 | Solenoid valve | 6 | Orifice |
| 3 | POD valve      | 7 | Plug    |
| 4 | Check valve    |   |         |