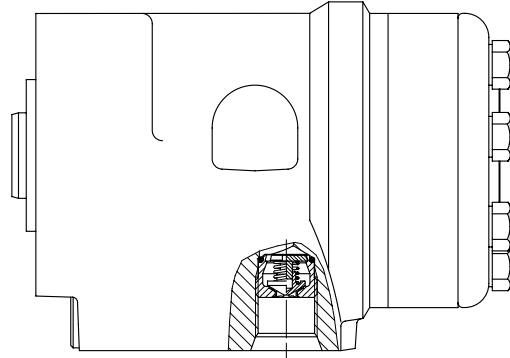
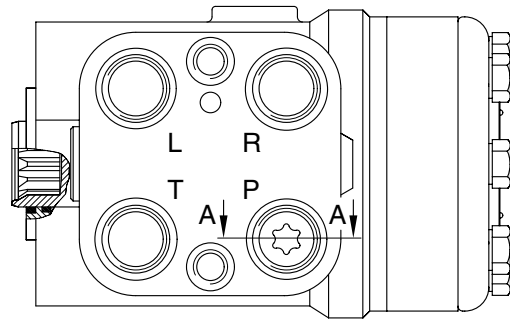
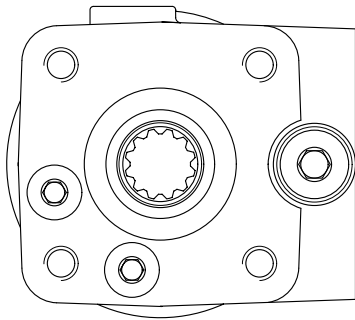


GROUP 10 STEERING VALVE

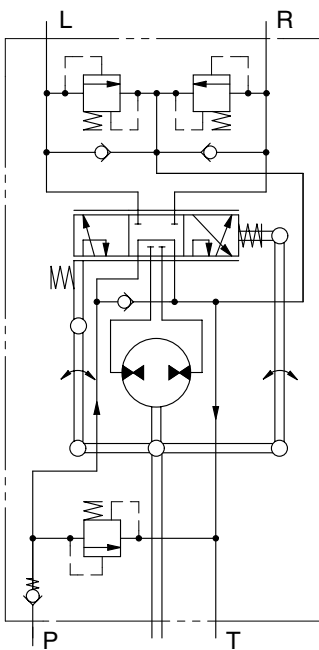
1. STRUCTURE



Section A-A



17032SV01

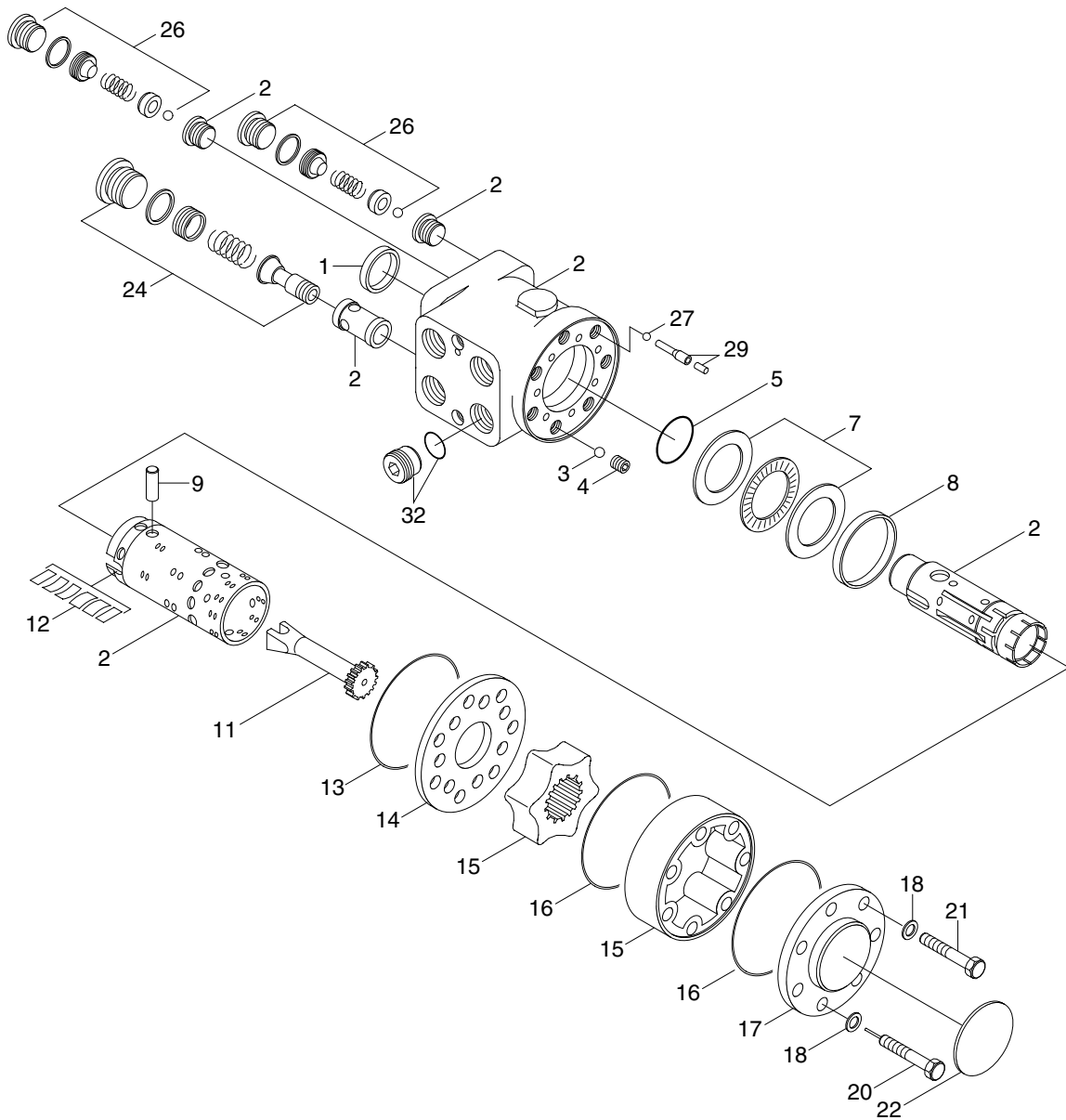


Hydraulic circuit

17032SV01

Port	Port name	Port size
L	Left port	3/4-16UNF
R	Right port	
T	Tank port	
P	Pump port	

2. COMPONENTS



14W7A2STV02

1	Dust seal	11	Shaft	20	Pin screw
2	Housing, spool, sleeve	12	Spring set	21	Screw
3	Ball	13	O-ring	22	Name plate
4	Bushing	14	Distributor plate	24	Pressure relief valve
5	O-ring	15	Gear wheel set	26	Shock valve
7	Bearing assy	16	O-ring	27	Ball
8	Ring	17	End cover	29	Bushing
9	Cross pin	18	Washer	32	Check valve