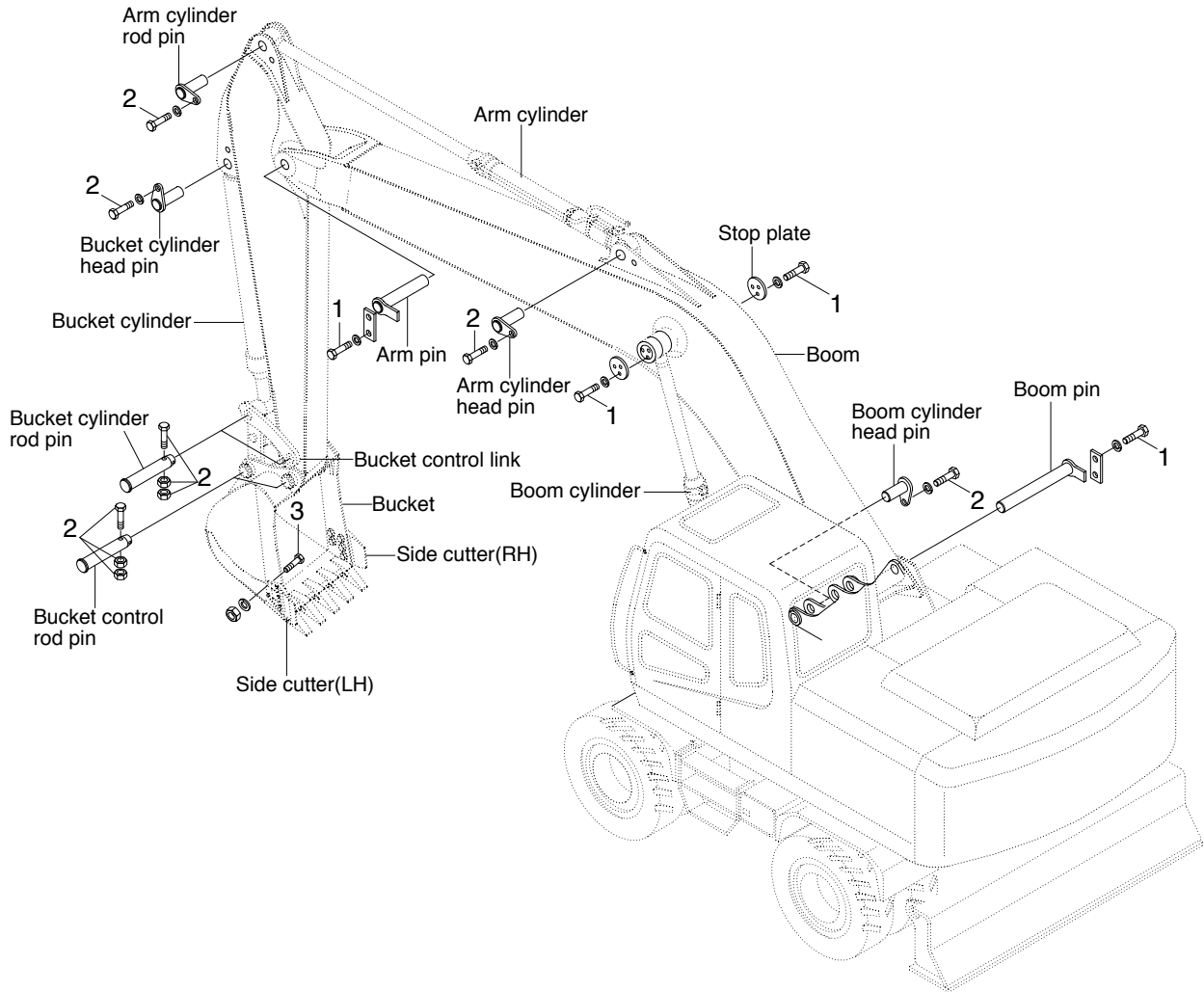


GROUP 7 WORK EQUIPMENT



14W79CM13

· Tightening torque

| Item | Size | kgf · m | lbf · ft |
|------|------------|------------|-------------|
| 1 | M12 × 1.75 | 12.8 ± 3.0 | 92.6 ± 21.7 |
| 2 | M16 × 2.0 | 29.7 ± 4.5 | 215 ± 32.5 |

| Item | Size | kgf · m | lbf · ft |
|------|-----------|------------|------------|
| 3 | M20 × 2.5 | 57.9 ± 8.7 | 419 ± 62.9 |
| 4 | M22 × 2.5 | 55.8 ± 7.5 | 404 ± 54.2 |