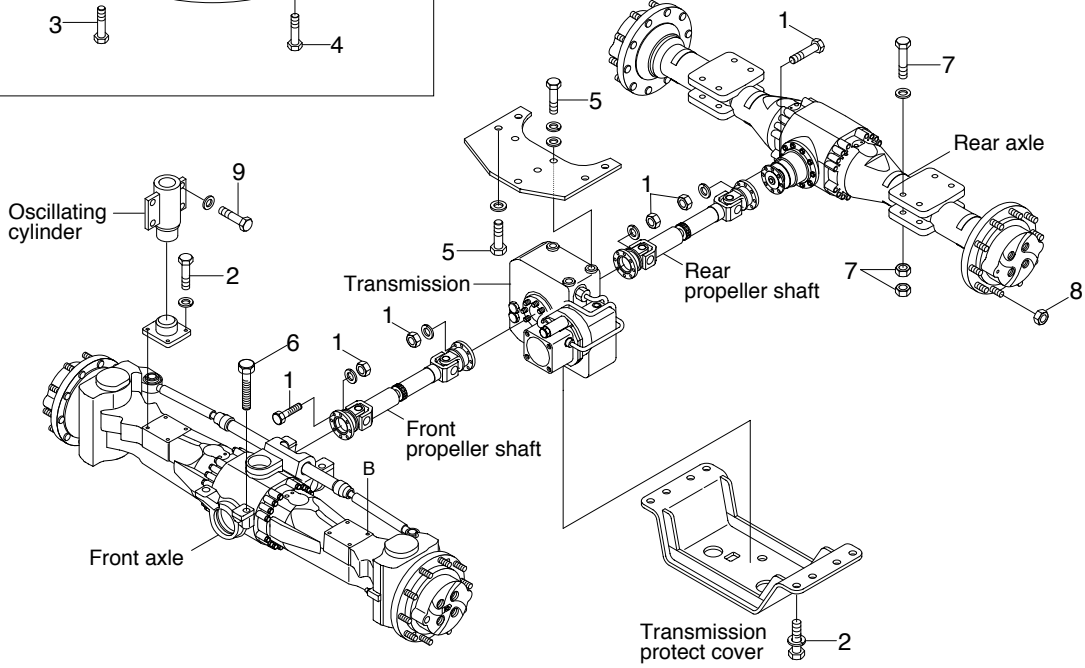
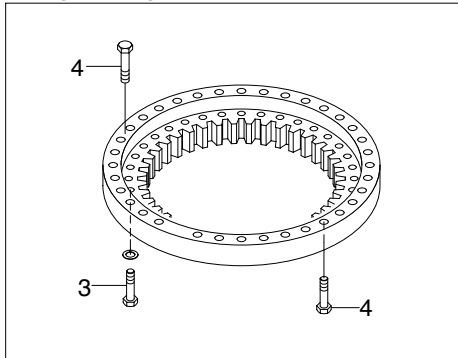


GROUP 5 POWER TRAIN SYSTEM

Swing bearing



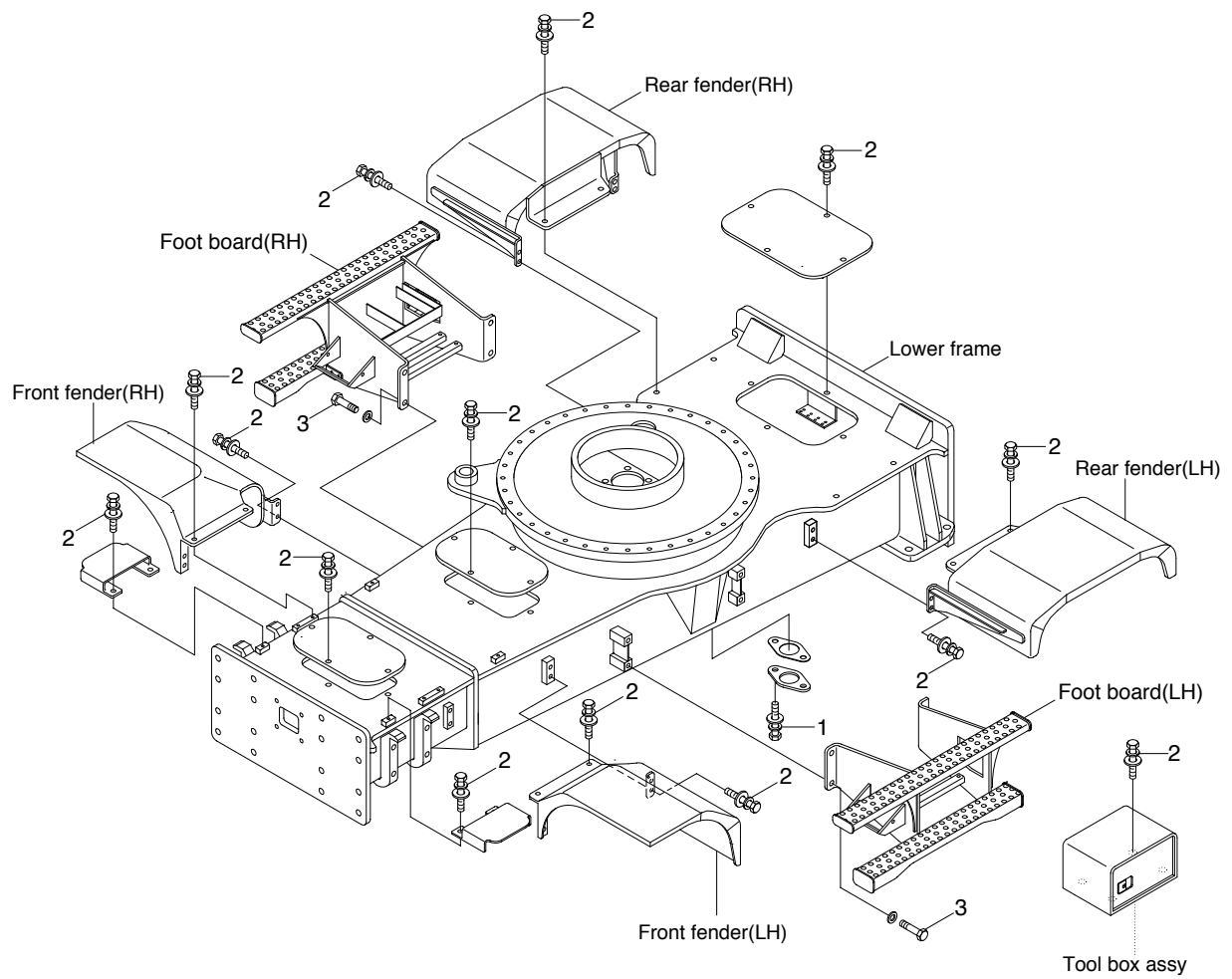
14W79CM08

· Tightening torque

Item	Size	kgf · m	lbf · ft
1	M10 × 1.0	5.9 ± 0.6	42.7 ± 4.3
2	M12 × 1.75	12.3 ± 2.5	89.0 ± 18
3	M16 × 1.5	31.3 ± 3.2	226 ± 23
4	M18 × 2.5	41.3 ± 4.5	299 ± 44.8
5	M20 × 2.5	44 ± 2.0	318 ± 14.4

Item	Size	kgf · m	lbf · ft
6	M20 × 2.5	57.9 ± 8.7	419 ± 63
7	M20 × 2.5	58 ± 6.3	420 ± 46
8	M22 × 1.5	62 ± 3.0	448 ± 21.7
9	M22 × 1.5	83.2 ± 9.2	602 ± 66.5
-	-	-	-

COVER AND FOOT BOARD



14W79CM09

· Tightening torque

Item	Size	kgf · m	lbf · ft
1	M10 × 1.5	6.9 ± 1.4	49.9 ± 10.1
2	M12 × 1.75	12.8 ± 3.0	92.6 ± 21.7

Item	Size	kgf · m	lbf · ft
3	M20 × 2.5	57.9 ± 8.7	419 ± 62.9
-	-	-	-