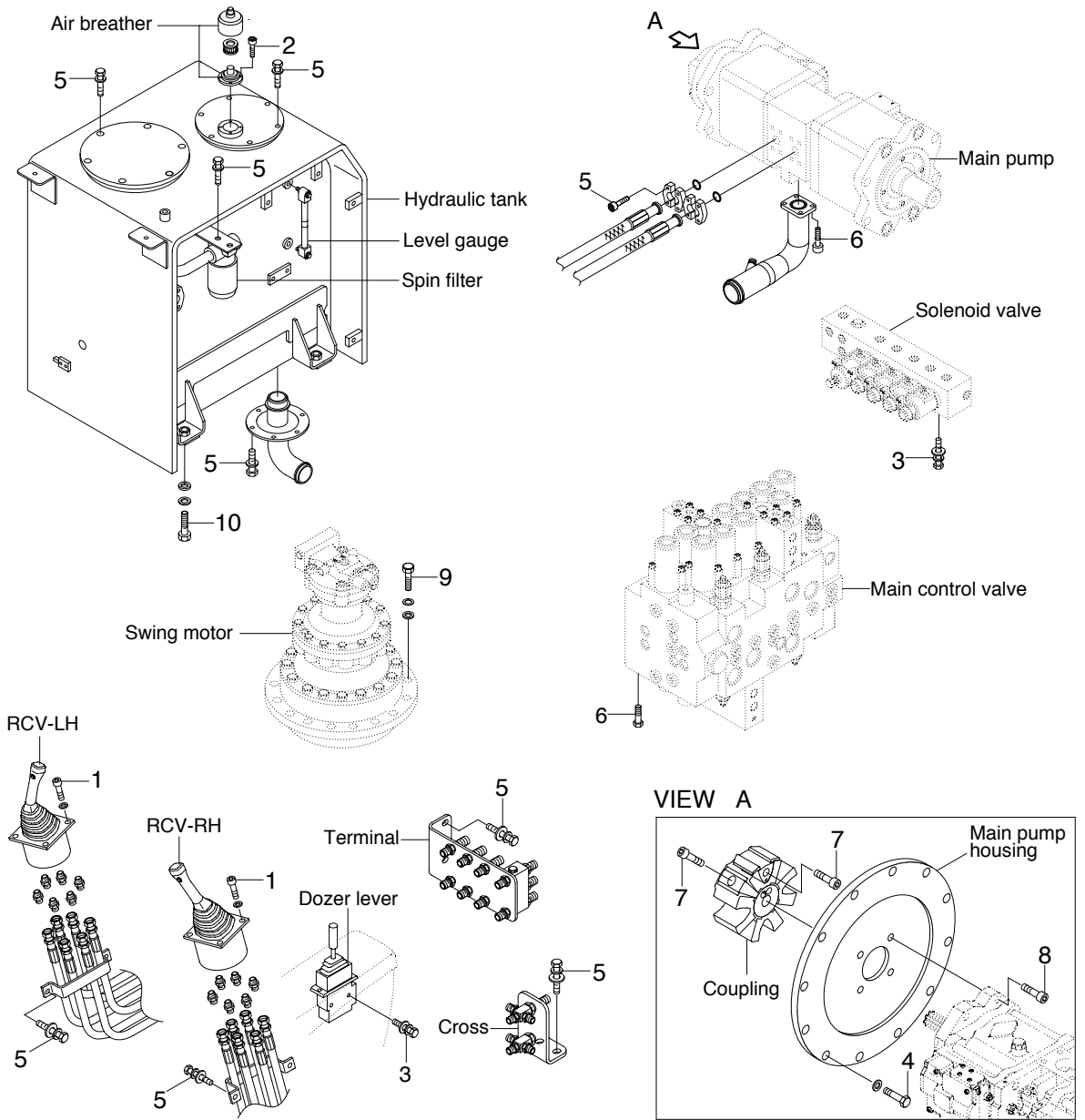


# GROUP 4 HYDRAULIC SYSTEM

## HYDRAULIC COMPONENTS MOUNTING 1



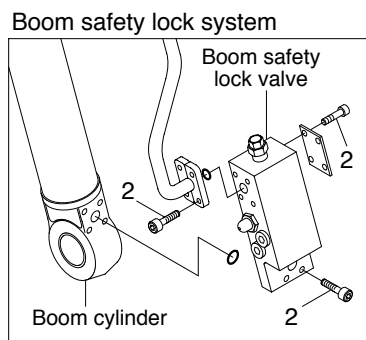
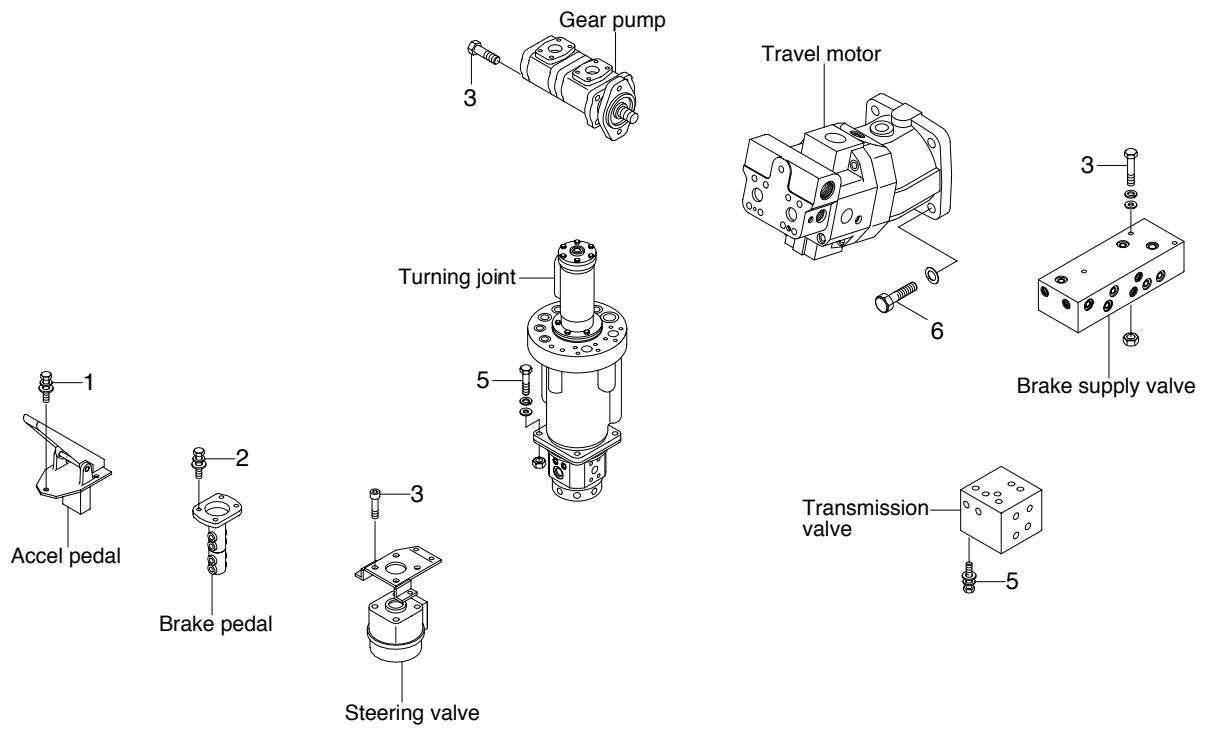
14W79CM05

### · Tightening torque

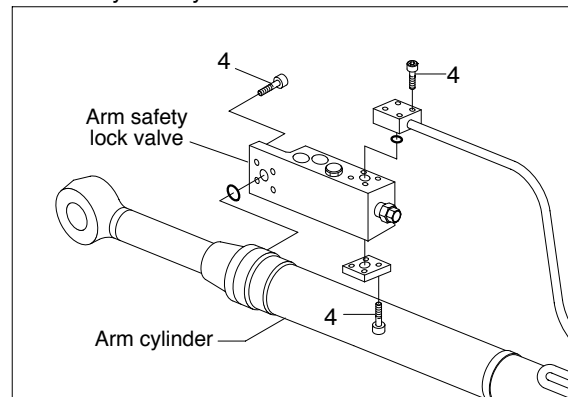
Item	Size	kgf · m	lbf · ft
1	M 6 × 1.0	1.05 ± 0.2	7.6 ± 1.45
2	M 6 × 1.0	1.44 ± 0.3	10.4 ± 2.2
3	M 8 × 1.25	2.5 ± 0.5	18.1 ± 3.6
4	M10 × 1.5	4.8 ± 0.3	34.7 ± 2.2
5	M10 × 1.5	6.9 ± 1.4	49.9 ± 10.1

Item	Size	kgf · m	lbf · ft
6	M12 × 1.75	12.2 ± 1.3	88.2 ± 9.4
7	M16 × 2.0	22.0 ± 1.0	159 ± 7.2
8	M16 × 2.0	22.1 ± 2.4	160 ± 17.4
9	M16 × 2.0	29.7 ± 4.5	215 ± 32.5
10	M20 × 2.5	46 ± 5.1	333 ± 36.9

## HYDRAULIC COMPONENTS MOUNTING 2



### Arm safety lock system



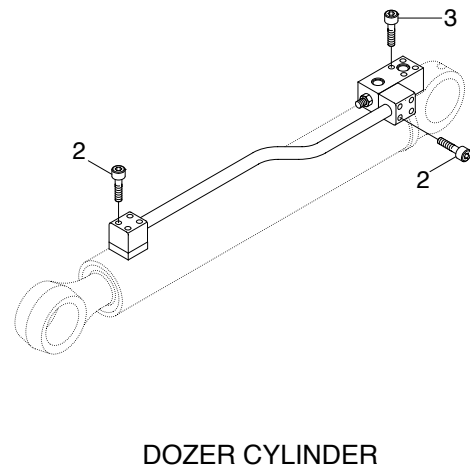
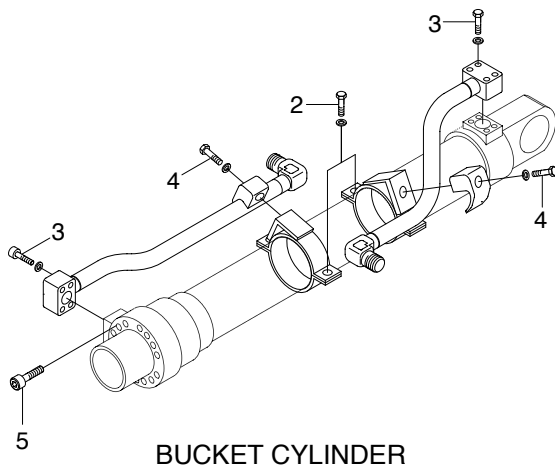
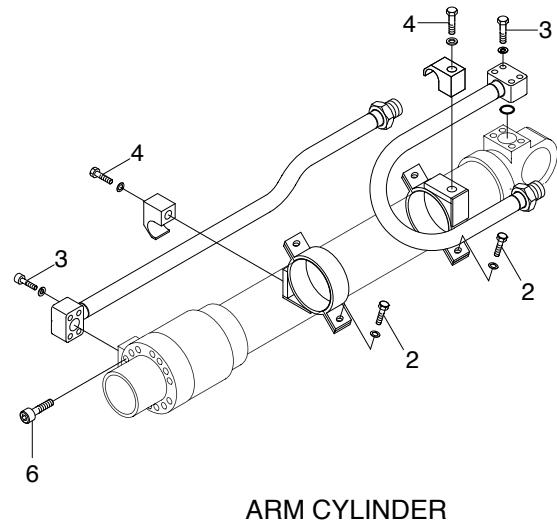
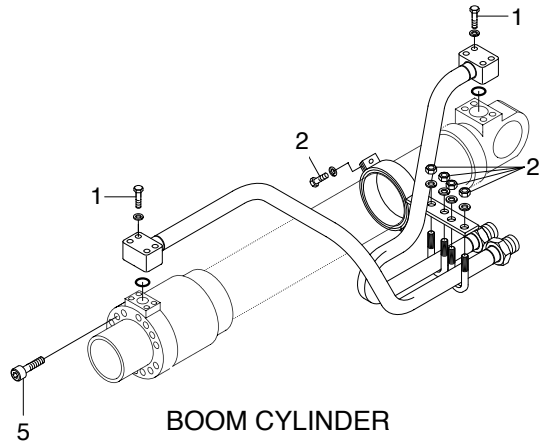
14W79CM06

### · Tightening torque

Item	Size	kgf · m	lbf · ft
1	M 6 × 1.0	1.05 ± 0.2	7.6 ± 1.4
2	M 8 × 1.25	2.5 ± 0.5	18.1 ± 3.6
3	M10 × 1.5	6.9 ± 1.4	49.9 ± 10.1

Item	Size	kgf · m	lbf · ft
4	M10 × 1.5	8.27 ± 1.7	59.8 ± 12.3
5	M12 × 1.75	12.0 ± 1.3	86.8 ± 9.4
6	M16 × 2.0	29.6 ± 3.2	214 ± 23.1

## HYDRAULIC COMPONENTS MOUNTING 3



14W79CM07

### · Tightening torque

Item	Size	kgf · m	lbf · ft
1	M8 × 1.25	2.7 ± 0.3	19.5 ± 2.2
2	M10 × 1.5	3.2 ± 0.3	23.1 ± 2.2
3	M10 × 1.5	5.4 ± 0.5	39.1 ± 3.6

Item	Size	kgf · m	lbf · ft
4	M12 × 1.75	5.5 ± 0.6	39.8 ± 4.3
5	M16 × 2.0	23 ± 2.0	166 ± 14.5
6	M18 × 2.5	32 ± 3.0	232 ± 21.7