

GROUP 4 CONNECTORS

1. CONNECTOR DESTINATION

Connector number	Type	No. of pin	Destination	Connector part No.	
				Female	Male
CN-1	AMP	6	l/conn(Engine harness 2-frame harness)	S816-006002	S816-106002
CN-2	AMP	12	l/conn(Engine harness 2-frame harness)	S816-012002	S816-112002
CN-3	AMP	8	l/conn(Engine harness 1-frame harness)	S816-008002	S816-108002
CN-4	AMP	8	l/conn(Console harness LH-frame harness)	S816-008002	S816-108002
CN-5	Econoseal J	15	l/conn(Side harness RH-frame harness)	2-85262-1	368301-1
CN-6	AMP	12	l/conn(Side harness RH-frame harness)	S816-012002	S816-112002
CN-7	AMP	15	l/conn(Console harness RH-frame harness)	2-85262-1	368301-1
CN-8	AMP	12	l/conn(Console harness RH-frame harness)	A816-012002	S816-112002
CN-9	AMP	8	l/conn(Console harness RH-frame harness)	S816-008002	S816-108002
CN-10	DEUTSCH	12	l/conn(Cab harness-frame harness)	DT06S-12S	DT04-12P
CN-11	DEUTSCH	8	Air-con harness	DT06-8S	-
CN-12	DEUTSCH	2	Work lamp harness	DT06-2S-P012	DT04-2P-P012
CN-15	KET	2	2pcs auto idle pressure	S814-002100	S814-102100
CN-17	DEUTSCH	8	l/conn(Side harness RH-wiper harness)	DT06-8S	DT04-8P
CN-20	MOLEX	2	Horn	35825-0211	-
CN-21	AMP	6	Wiper motor	925276-0	-
CN-22	KET	2	Washer tank	MG640605	-
CN-23	KET	2	Speaker-LH	MG610070	-
CN-24	KET	2	Speaker-RH	MG610070	-
CN-25	MOLEX	2	Horn	35825-0211	-
CN-27	AMP	14	Cassette radio	173852	-
CN-28	MWP	1	AC compressor	MWP01F-B	-
CN-29	KET	2	Receiver dryer	MG640795	-
CN-36	DEUTSCH	3	Fuse box body	21N8-20041	-
CN-45	RING-TERM	-	Start motor B+	ST710264-2	-
CN-47	AMP	2	Resistor	S810-002202	-
CN-48	AMP	2	Hour meter	GP-890469	-
CN-50	AMP	36	CPU controller	3441110	-
CN-51	AMP	36	CPU controller	3441110	-
CN-56	DEUTSCH	4	Cluster	-	DT04-4P-E004
CN-60	YAZAKI	2	Fusible link	7122-4125-50	-
CN-61	DEUTSCH	2	Fuel filler pump	DT06-2S-P012	-
CN-65	KET	2	Back up buzzer	DT06-2S	-
CN-66	DEUTSCH	2	Breaker solenoid	DT06-2S-P012	DT04-2P-P012
CN-68	DEUTSCH	2	Safety solenoid	DT06-2S-P012	DT04-2P-P012

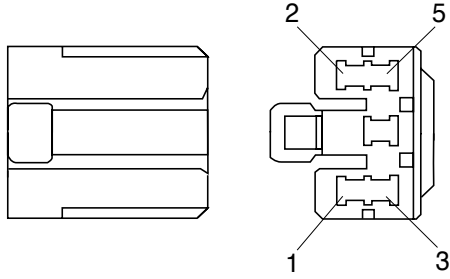
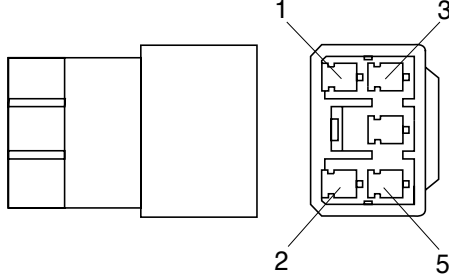
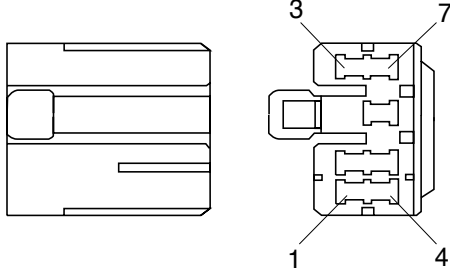
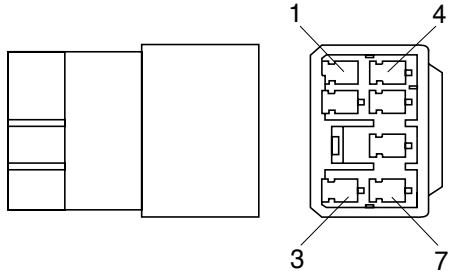
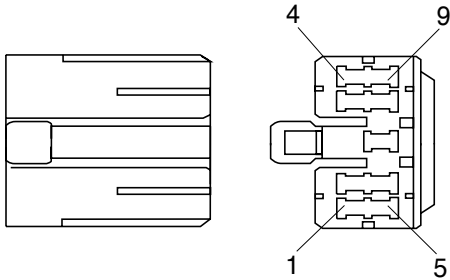
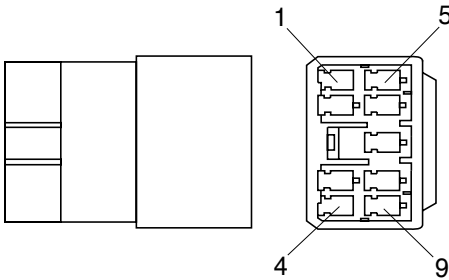
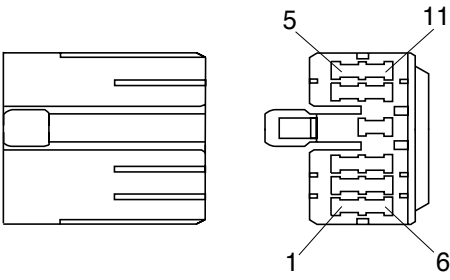
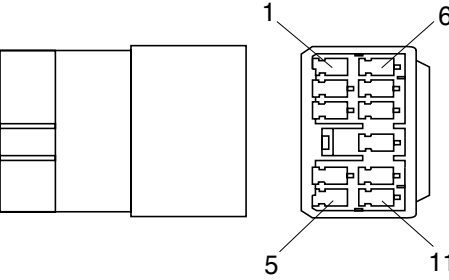
Connector number	Type	No. of pin	Destination	Connector part No.	
				Female	Male
CN-69	KET	2	Ram lock solenoid	S814-002100	-
CN-70	KET	2	Travel solenoid	S814-002100	-
CN-71	KET	2	Parking solenoid	S814-002100	-
CN-73	DEUTSCH	2	Dozer & Outrigger	DT06-2S-P012	DT04-2P-P012
CN-74	RING-TERM	-	Alternator "I" term	S820-105000	-
CN-75	AMP	2	EPPR valve	S816-002002	-
CN-76	DEUTSCH	6	DC motor	DT06-6S-EP06	-
CN-79	PACKARD	3	Fuel cut off	S818-020311	-
CN-81	DEUTSCH	2	Travel buzzer solenoid	DT06-2S-P012	-
CN-88	DEUTSCH	2	Power max solenoid	DT06-2S-P012	-
CN-95	YAZAKI	2	Fusible link	-	S813-130201
CN-97	AMP	12	Mutifunction switch	-	S816-112002
CN-98	AMP	10	Mutifunction switch	-	S816-110002
CN-99	AMP	8	Mutifunction switch	-	S816-108002
CN-116	PA	17	Switch panel	S811-017002	-
CN-122	DEUTSCH	2	FWD	DT06-2S-P012	DT04-2P-P012
CN-123	DEUTSCH	2	REV	DT06-2S-P012	DT04-2P-P012
CN-126	DEUTSCH	4	RS 232 connector	DT06-4S-P012	DT04-4P-E004
CN-131	AMP	4	Pressur switch	S816-002002	S816-102002
CN-133	DEUTSCH	2	Boom prioity solenoid	DT06-2S-P012	-
CN-137	DEUTSCH	2	Max flow sclenoid	DT06-2S-P012	-
CN-138	DEUTSCH	3	DC/DC converter	DT06-3S-P012	-
CN-139	DEUTSCH	2	12V socket	-	DT04-2P-E004
CN-140	DEUTSCH	2	Quick clamp	DT06-2S	-
CN-141	AMP	13	Wiper motor controller	142176-2	-
CN-142	DEUTSCH	3	Accel dial	DT06-3S-P012	-
CN-143	KET	12	Cassette radio(With remocon)	MG610406	-
CN-144	AMP	12	Remocon-cassette radio	174045-2	-
· Relay					
CR-1	RING-TERN	-	Battery relay	-	S820-208002
CR-3	AMP	4	Work lamp relay	S810-004202	-
CR-23	RING-TERM	2	Start relay	-	S814-102001
CR-24	RING-TERM	1	Pre-heater relay	S822-014000	-
CR-29	AMP	4	Fwd relay	S810-004202	-
CR-30	AMP	4	Rev relay	S810-004202	-
CR-47	AMP	6	Safety relay	S810-006202	-

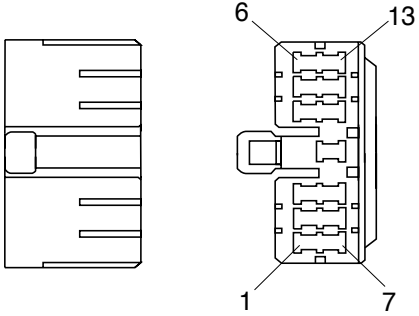
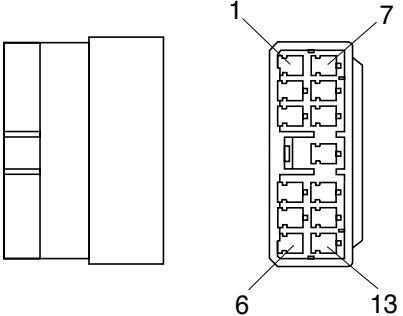
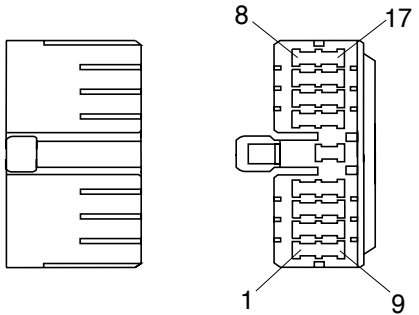
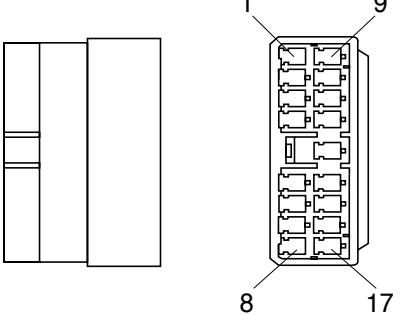
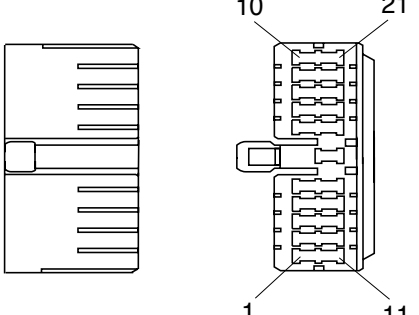
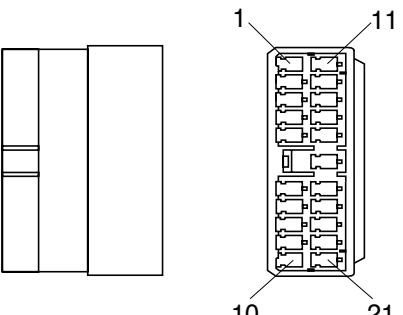
Connector number	Type	No. of pin	Destination	Connector part No.	
				Female	Male
· Switch					
CS-1	SHUR	1	Door switch	S822-014004	-
CS-2	SWP	6	Start key switch	S814-006000	-
CS-4	DEUTSCH	3	Safety switch	DT06-3S-P012	-
CS-5	DEUTSCH	1	Horn switch	-	DT04-2P-E004
CS-19	DEUTSCH	2	One touch decel	-	DT04-2P-E004
CS-20	AMP	1	Safety switch	S822-014002	-
CS-23	SWF	10	Beacon lamp switch	SWF593757	-
CS-26	DEUTSCH	1	Breaker switch	DT06-2S-P012	-
CS-27	SWF	10	Breaker switch	SWF593757	-
CS-29	DEUTSCH	2	Powe max switch	DT06-2S-P012	-
CS-50	SWF	10	Overload switch	SWF593757	-
CS-53	SHUR	1	Wiper cut switch	S822-014002	-
CS-54	SWF	10	Spare switch	SWF593757	-
· Light					
CL-1	KET	2	Room lamp	MG 610406	-
CL-2	AMP	1	Cigar light	S822-014002	-
CL-3	AMP	3	Head lamp	S810-003702	-
CL-4	AMP	3	Head lamp	S810-003702	-
CL-5	DEUTSCH	2	Work lamp-LH	-	DT04-2P
CL-6	DEUTSCH	2	Work lamp-RH	-	DT04-2P
CL-7	SHUR	1	Beacon lamp	S822-014004	S822-114004
CL-8	DEUTSCH	2	Cab light-LH	-	DT04-2P
CL-9	DEUTSCH	2	Cab light-RH	-	DT04-2P
CL-15	KET	6	Rear combination lamp-LH	S814-006000	-
CL-16	KET	6	Rear combination lamp-RH	S814-006000	-
CL-21	KET	2	Numberplate lamp	S814-002100	-
CL-24	KET	3	Front combination lamp-LH	S814-003000	-
CL-25	KET	3	Front combination lamp-RH	S814-003000	-
· Sensor, sendor					
CD-1	AMP	2	Hydraulic oil temp sender	85202-1	-
CD-2	DEUTSCH	2	Fuel sender	DT06-2S-P012	-
CD-7	KET	2	Auto idle pressure switch	21EA-00310	-
CD-8	AMP	2	Water temp sender	85202-1	-
CD-10	RING-TERM	-	Air cleaner switch	-	S820-104002
CD-17	PACKARD	2	Tachosensor	-	S818-120221
CD-18	RING-TERM	1	Engine oil pressure switch	-	S820-104000
CD-31	DEUTSCH	2	Overload pressure switch	DT06-2S-P012	DT04-2P-P012

Connector number	Type	No. of pin	Destination	Connector part No.	
				Female	Male
CD-42	AMP	3	Pump pressure 1	S816-003002	-
CD-43	AMP	3	Pump pressure 2	S816-003002	-
CD-44	AMP	3	Pump pressure 3	S816-003002	-

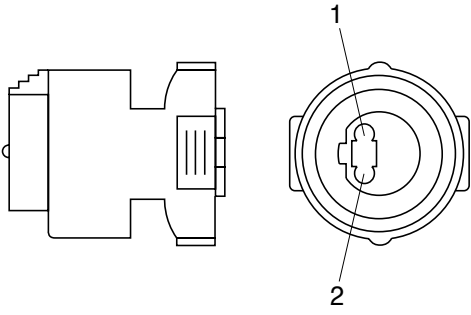
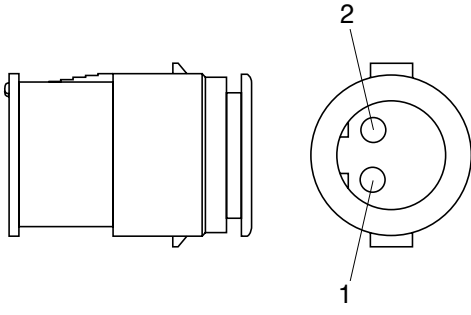
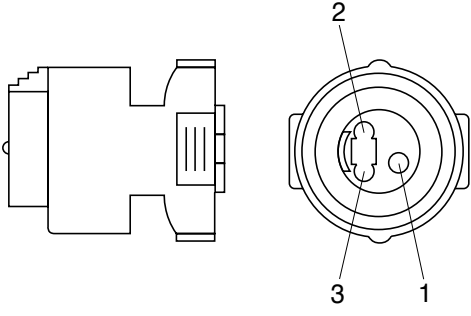
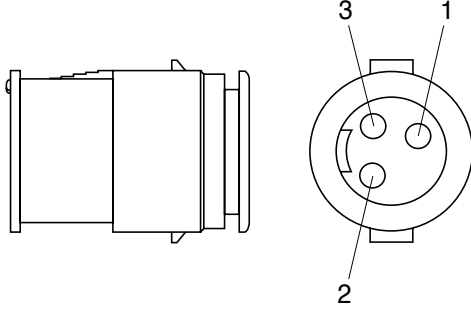
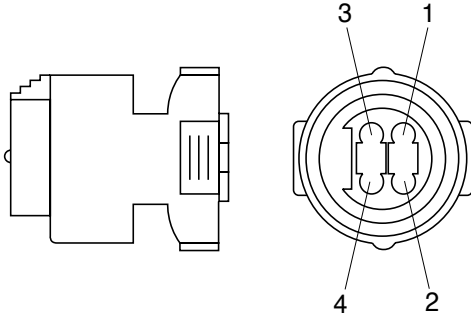
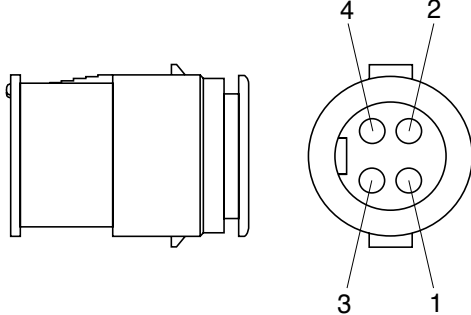
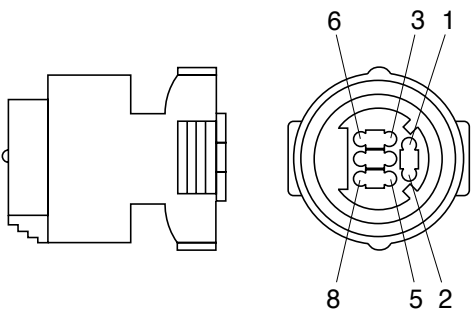
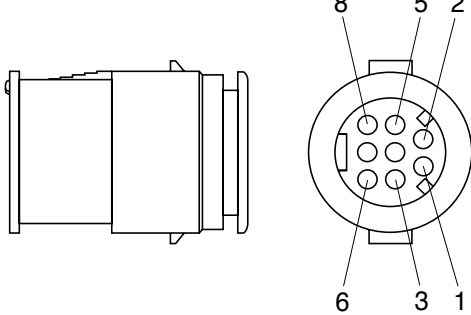
2. CONNECTION TABLE FOR CONNECTORS

1) PA TYPE CONNECTOR

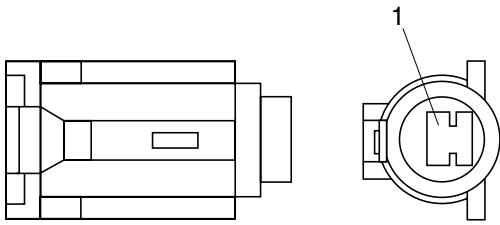
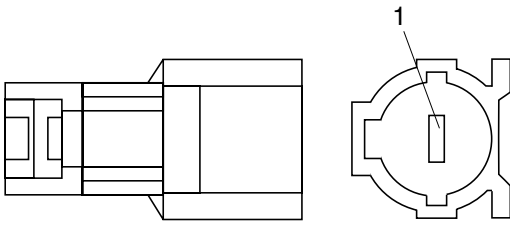
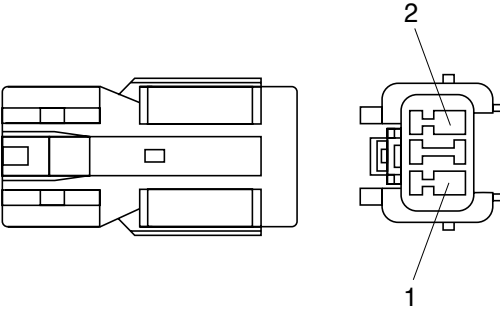
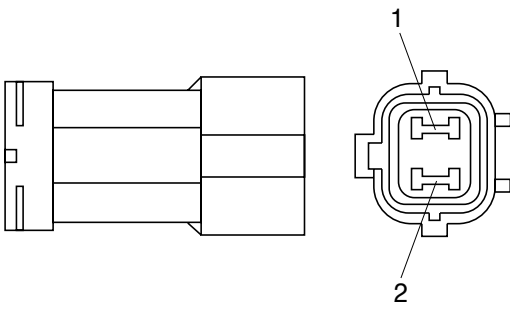
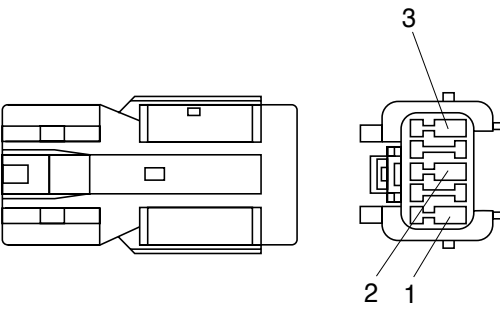
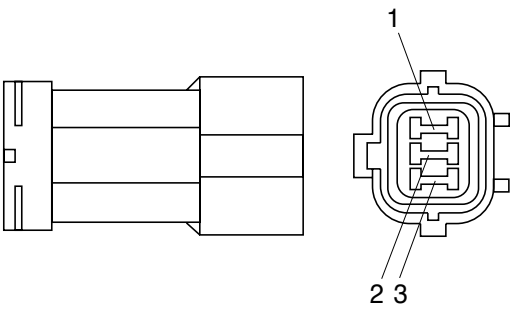
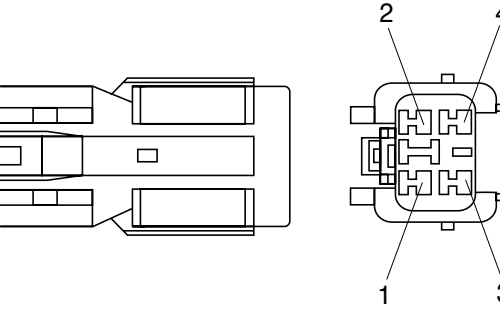
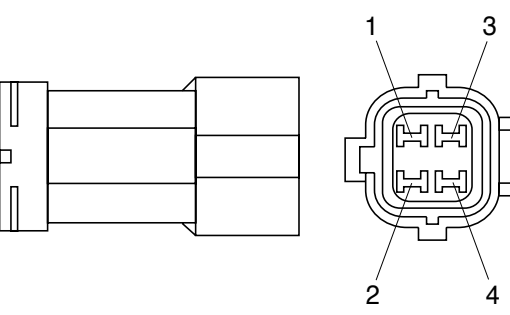
No. of pin	Receptacle connector(Female)	Plug connector(Male)
5	 <p style="text-align: center;">S811-005002</p>	 <p style="text-align: center;">S811-105002</p>
7	 <p style="text-align: center;">S811-007002</p>	 <p style="text-align: center;">S811-107002</p>
9	 <p style="text-align: center;">S811-009002</p>	 <p style="text-align: center;">3S811-109002</p>
11	 <p style="text-align: center;">S811-011002</p>	 <p style="text-align: center;">S811-111002</p>

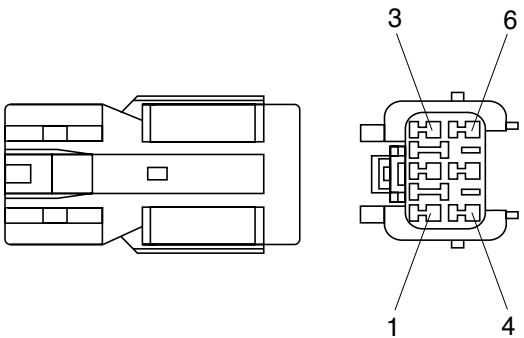
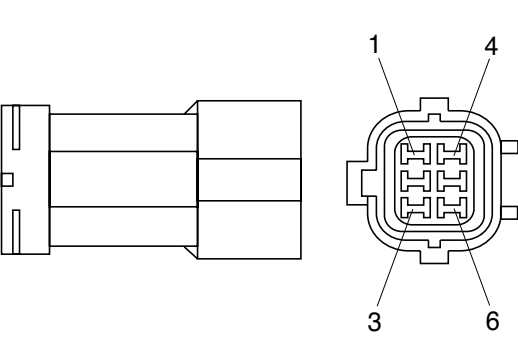
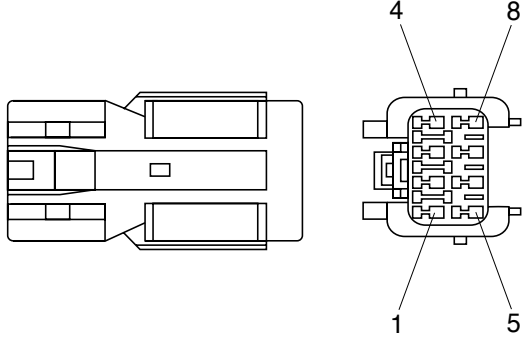
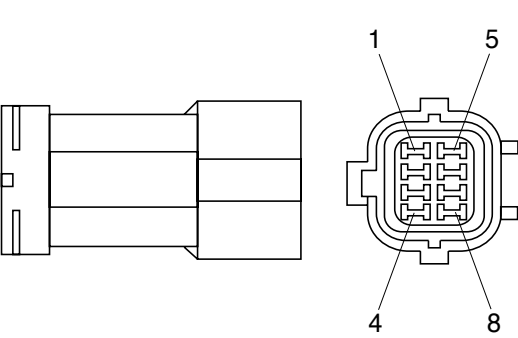
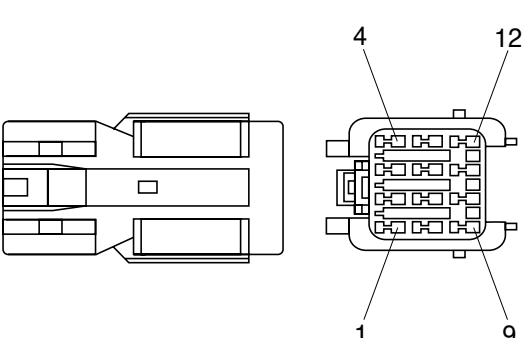
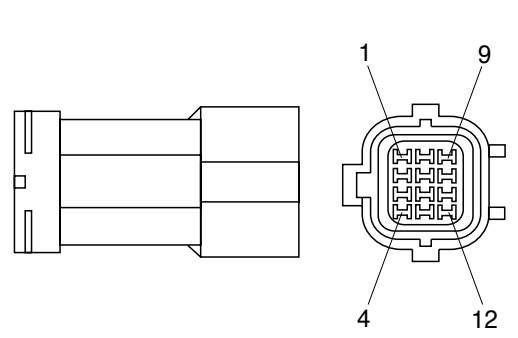
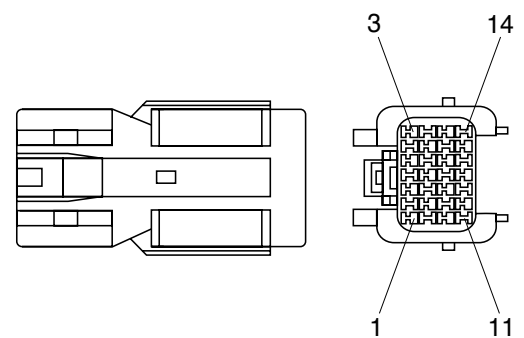
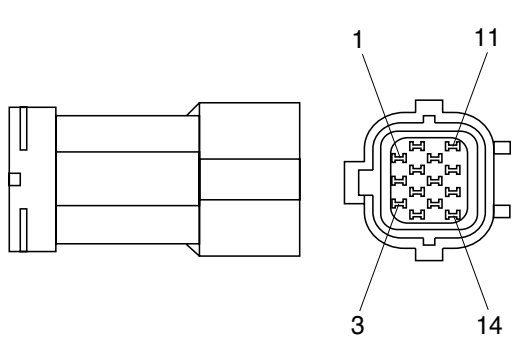
No. of pin	Receptacle connector(Female)	Plug connector(Male)
13	 <p style="text-align: center;">S811-013002</p>	 <p style="text-align: center;">S811-113002</p>
17	 <p style="text-align: center;">S811-017002</p>	 <p style="text-align: center;">S811-117002</p>
21	 <p style="text-align: center;">S811-021002</p>	 <p style="text-align: center;">S811-121002</p>

2) J TYPE CONNECTOR

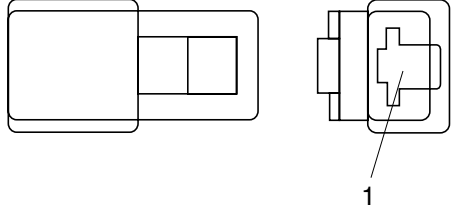
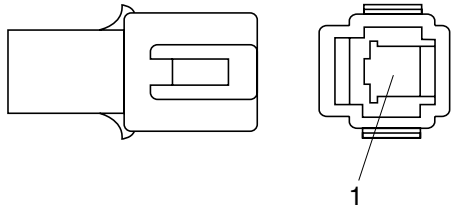
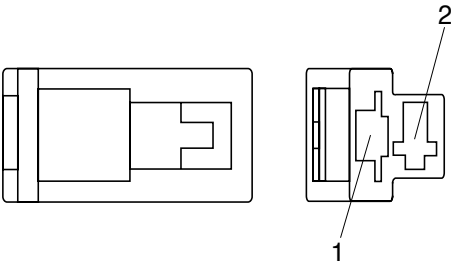
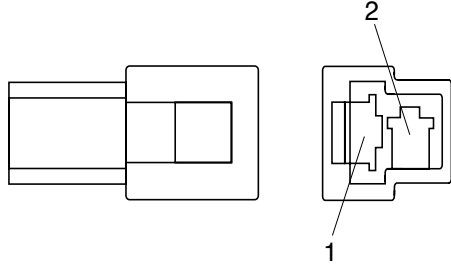
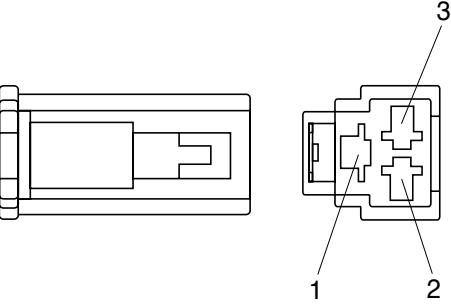
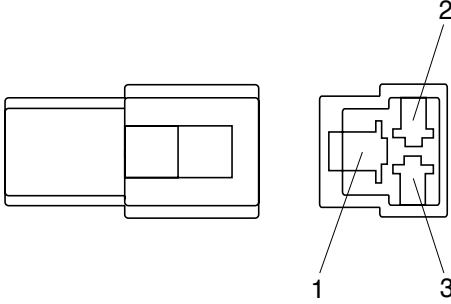
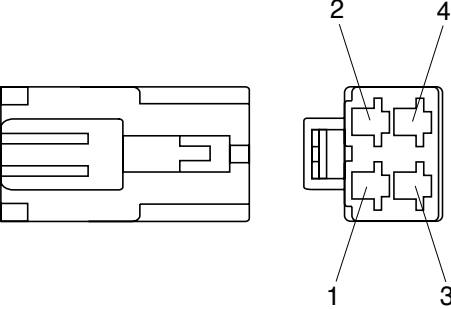
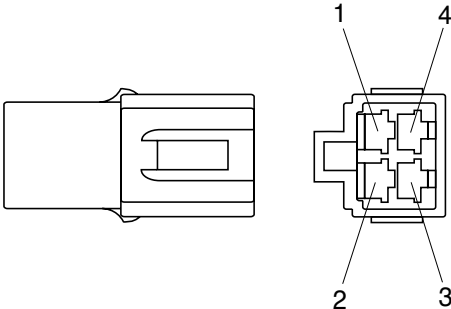
No. of pin	Receptacle connector(Female)	Plug connector(Male)
2	 <p style="text-align: center;">S816-002001</p>	 <p style="text-align: center;">S816-102001</p>
3	 <p style="text-align: center;">S816-003001</p>	 <p style="text-align: center;">S816-103001</p>
4	 <p style="text-align: center;">S816-004001</p>	 <p style="text-align: center;">S816-104001</p>
8	 <p style="text-align: center;">S816-008001</p>	 <p style="text-align: center;">S816-108001</p>

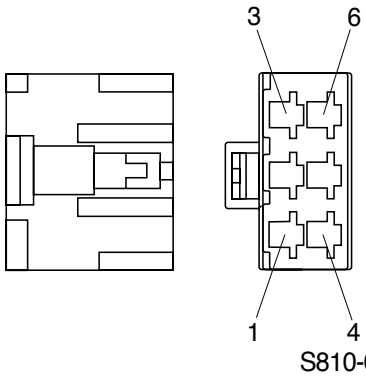
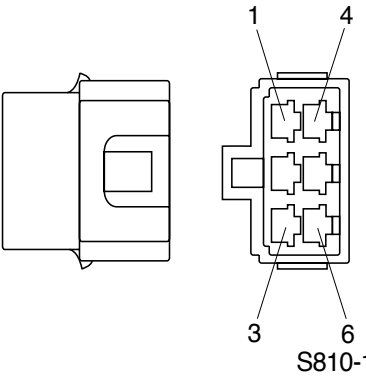
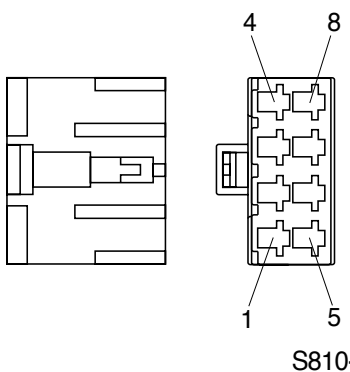
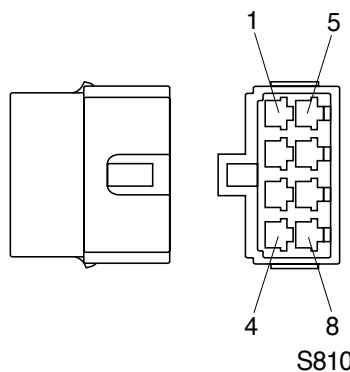
3) SWP TYPE CONNECTOR

No. of pin	Receptacle connector(Female)	Plug connector(Male)
1	 <p data-bbox="686 672 837 705">S814-001000</p>	 <p data-bbox="1236 672 1388 705">S814-101000</p>
2	 <p data-bbox="686 1075 837 1108">S814-002000</p>	 <p data-bbox="1236 1075 1388 1108">S814-102000</p>
3	 <p data-bbox="686 1478 837 1512">S814-003000</p>	 <p data-bbox="1236 1478 1388 1512">S814-103000</p>
4	 <p data-bbox="686 1881 837 1915">S814-004000</p>	 <p data-bbox="1236 1881 1388 1915">S814-104000</p>

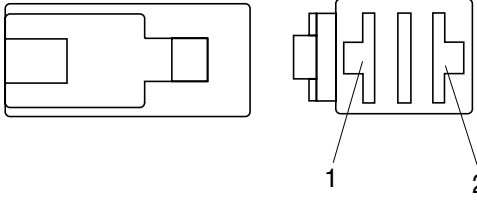
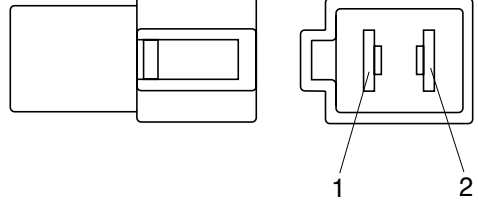
No. of pin	Receptacle connector(Female)	Plug connector(Male)
6	 <p data-bbox="686 627 837 660">S814-006000</p>	 <p data-bbox="1244 627 1396 660">S814-106000</p>
8	 <p data-bbox="686 1041 837 1075">S814-008000</p>	 <p data-bbox="1244 1041 1396 1075">S814-108000</p>
12	 <p data-bbox="686 1444 837 1478">S814-012000</p>	 <p data-bbox="1244 1444 1396 1478">S814-112000</p>
14	 <p data-bbox="686 1848 837 1881">S814-014000</p>	 <p data-bbox="1244 1848 1396 1881">S814-114000</p>

4) CN TYPE CONNECTOR

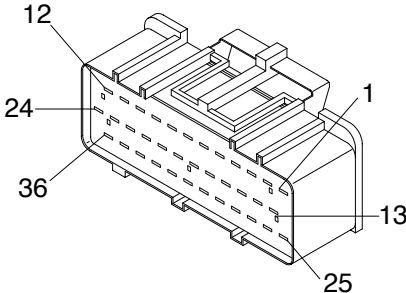
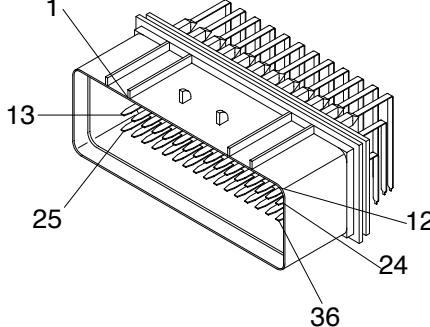
No. of pin	Receptacle connector(Female)	Plug connector(Male)
1	 <p style="text-align: center;">S810-001202</p>	 <p style="text-align: center;">S810-101202</p>
2	 <p style="text-align: center;">S810-002202</p>	 <p style="text-align: center;">S810-102202</p>
3	 <p style="text-align: center;">S810-003202</p>	 <p style="text-align: center;">S810-103202</p>
4	 <p style="text-align: center;">S810-004202</p>	 <p style="text-align: center;">S810-104202</p>

No. of pin	Receptacle connector(Female)	Plug connector(Male)
6	 <p data-bbox="686 627 837 660">S810-006202</p>	 <p data-bbox="1244 627 1396 660">S810-106202</p>
8	 <p data-bbox="686 1030 837 1064">S810-008202</p>	 <p data-bbox="1244 1030 1396 1064">S810-108202</p>

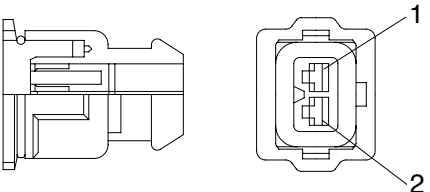
5) 375 FASTEN TYPE CONNECTOR

No. of pin	Receptacle connector(Female)	Plug connector(Male)
2	 <p style="text-align: center;">S810-002402</p>	 <p style="text-align: center;">S810-102402</p>

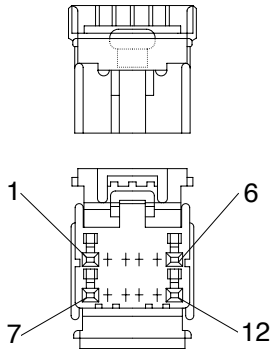
6) AMP ECONOSEAL CONNECTOR

No. of pin	Receptacle connector(Female)	Plug connector(Male)
36	 <p style="text-align: center;">344111-1</p>	 <p style="text-align: center;">344108-1</p>

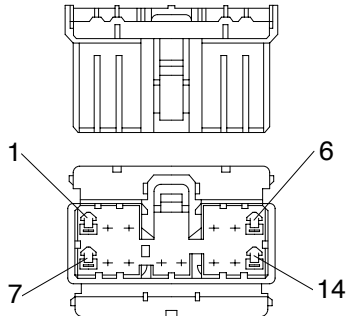
7) AMP TIMER CONNECTOR

No. of pin	Receptacle connector(Female)	Plug connector(Male)
2	 <p style="text-align: center;">85202-1</p>	

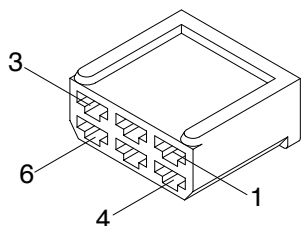
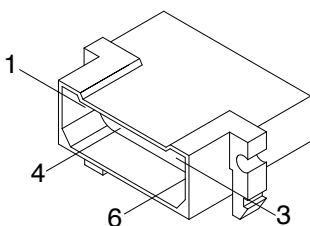
8) AMP 040 MULTILOCK CONNECTOR

No. of pin	Receptacle connector(Female)	Plug connector(Male)
12	 <p style="text-align: right;">174045-2</p>	

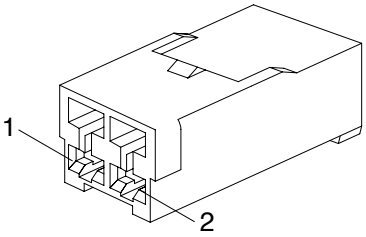
9) AMP 070 MULTILOCK CONNECTOR

No. of pin	Receptacle connector(Female)	Plug connector(Male)
14	 <p style="text-align: right;">173852</p>	

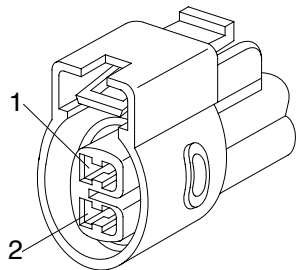
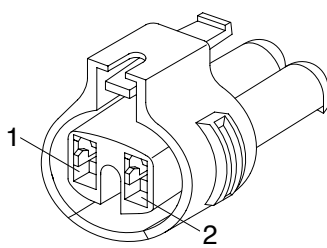
10) AMP FASTIN - FASTON CONNECTOR

No. of pin	Receptacle connector(Female)	Plug connector(Male)
6	 <p style="text-align: right;">925276-0</p>	 <p style="text-align: right;">480003-9</p>

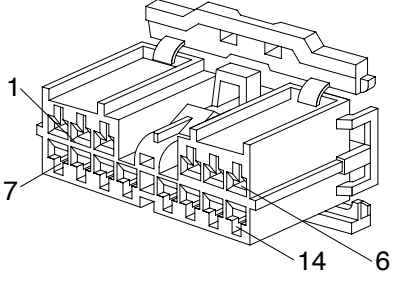
11) KET 090 CONNECTOR

No. of pin	Receptacle connector(Female)	Plug connector(Male)
2	 <p style="text-align: right;">MG610070</p>	

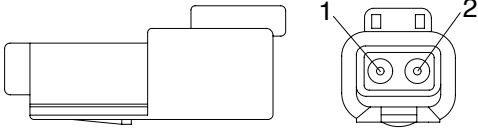
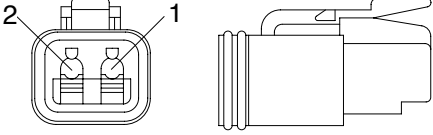
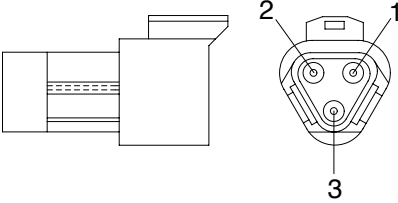
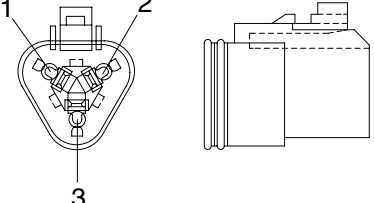
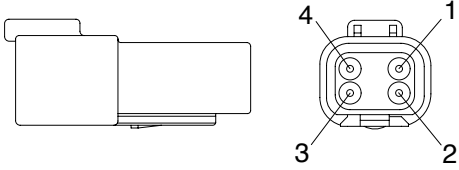
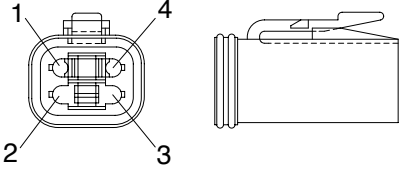
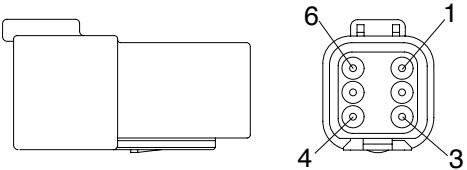
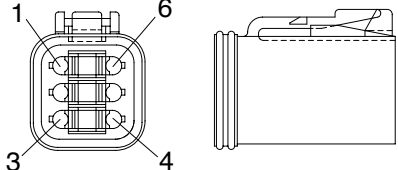
12) KET 090 WP CONNECTORS

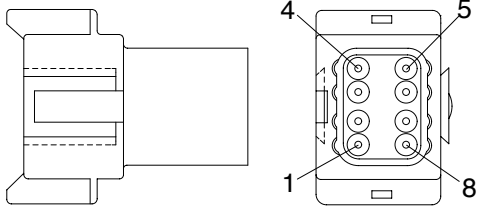
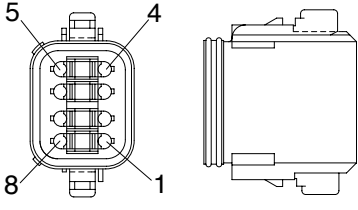
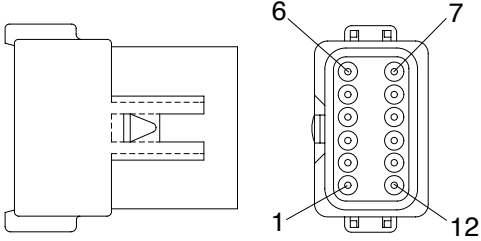
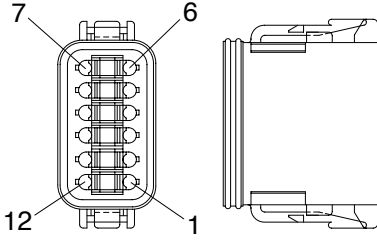
No. of pin	Receptacle connector(Female)	Plug connector(Male)
2	 <p style="text-align: right;">MG640605</p>	
2	 <p style="text-align: right;">MG640795</p>	

13)KET SDL CONNECTOR

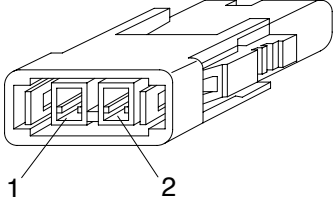
No. of pin	Receptacle connector(Female)	Plug connector(Male)
14	 <p style="text-align: right;">MG610406</p>	

14) DEUTSCH DT CONNECTORS

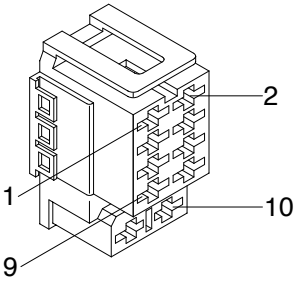
No. of pin	Receptacle connector(Female)	Plug connector(Male)
2	 <p style="text-align: center;">DT06-2S</p>	 <p style="text-align: center;">DT04-2P</p>
3	 <p style="text-align: center;">DT06-3S</p>	 <p style="text-align: center;">DT04-3P</p>
4	 <p style="text-align: center;">DT06-4S</p>	 <p style="text-align: center;">DT04-4P</p>
6	 <p style="text-align: center;">DT06-6S</p>	 <p style="text-align: center;">DT04-6P</p>

No. of pin	Receptacle connector(Female)	Plug connector(Male)
8	 <p data-bbox="734 627 837 660">DT06-8S</p>	 <p data-bbox="1284 627 1388 660">DT04-8P</p>
12	 <p data-bbox="718 1041 837 1075">DT06-12S</p>	 <p data-bbox="1276 1041 1396 1075">DT04-12P</p>

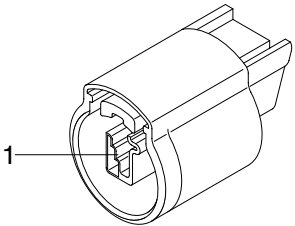
15) MOLEX 2CKTS CONNECTOR

No. of pin	Receptacle connector(Female)	Plug connector(Male)
2	 <p data-bbox="703 678 836 707">35215-0200</p>	

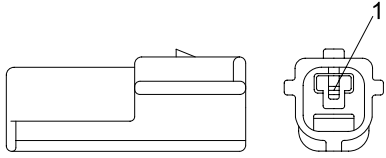
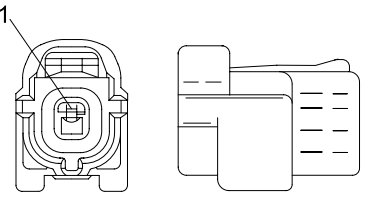
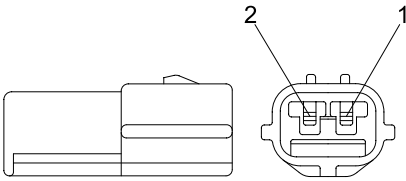
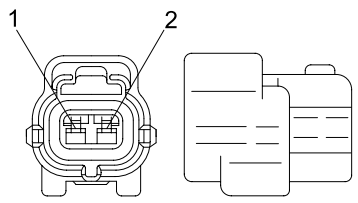
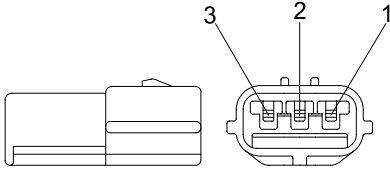
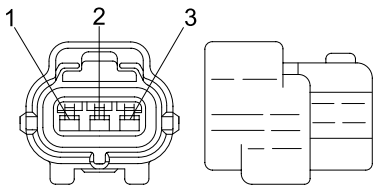
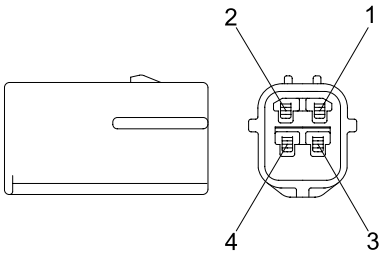
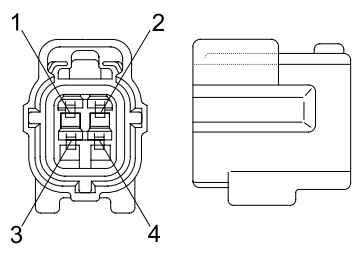
16)ITT SWF CONNECTOR

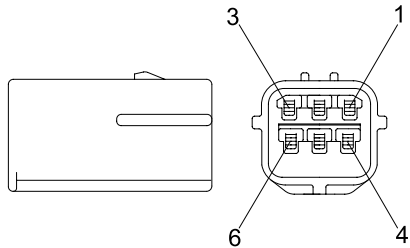
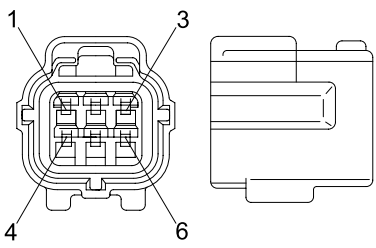
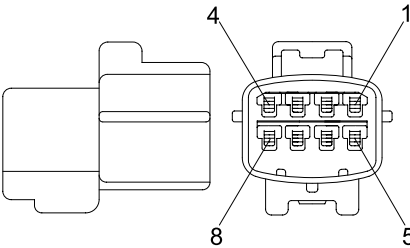
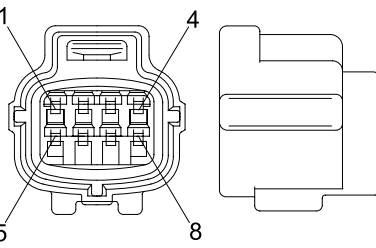
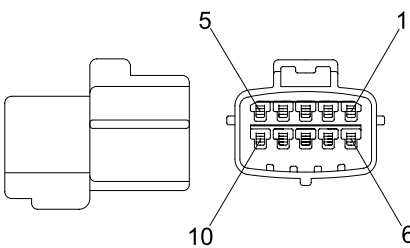
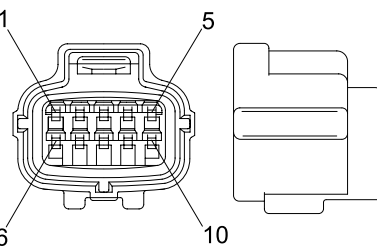
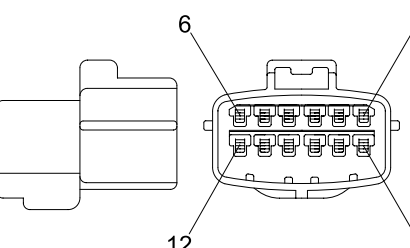
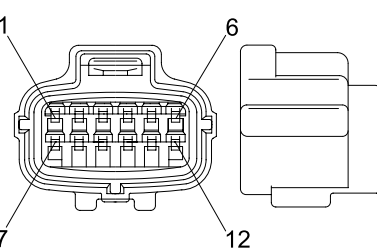
No. of pin	Receptacle connector(Female)	Plug connector(Male)
10	 <p data-bbox="699 1261 836 1290">SWF593757</p>	

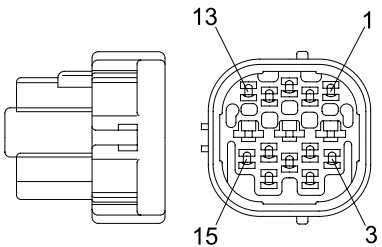
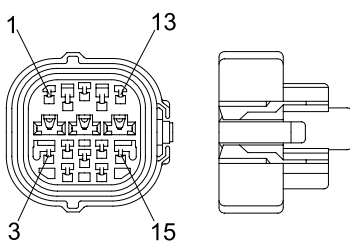
17)MWP NMWP CONNECTOR

No. of pin	Receptacle connector(Female)	Plug connector(Male)
1	 <p data-bbox="687 1850 836 1879">NMWP01F-B</p>	

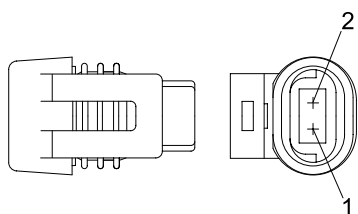
18) ECONOSEAL J TYPE CONNECTORS

No. of pin	Receptacle connector(Female)	Plug connector(Male)
1	 <p data-bbox="687 678 839 707">S816-001002</p>	 <p data-bbox="1243 678 1394 707">S816-101002</p>
2	 <p data-bbox="687 1081 839 1111">S816-002002</p>	 <p data-bbox="1243 1081 1394 1111">S816-102002</p>
3	 <p data-bbox="687 1491 839 1520">S816-003002</p>	 <p data-bbox="1243 1491 1394 1520">S816-103002</p>
4	 <p data-bbox="687 1899 839 1928">S816-004002</p>	 <p data-bbox="1243 1899 1394 1928">S816-104002</p>

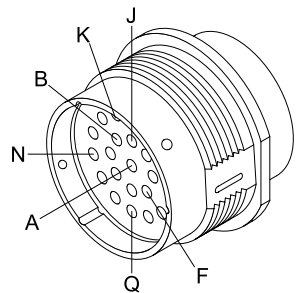
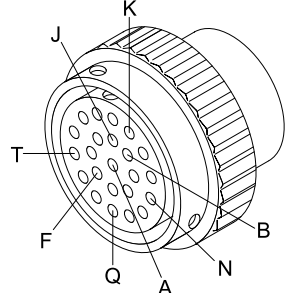
No. of pin	Receptacle connector(Female)	Plug connector(Male)
6	 <p data-bbox="687 633 836 663">S816-006002</p>	 <p data-bbox="1243 633 1391 663">S816-106002</p>
8	 <p data-bbox="687 1037 836 1066">S816-008002</p>	 <p data-bbox="1243 1037 1391 1066">S816-108002</p>
10	 <p data-bbox="687 1440 836 1469">S816-010002</p>	 <p data-bbox="1243 1440 1391 1469">S816-110002</p>
12	 <p data-bbox="687 1843 836 1872">S816-012002</p>	 <p data-bbox="1243 1843 1391 1872">S816-112002</p>

No. of pin	Receptacle connector(Female)	Plug connector(Male)
15	 <p data-bbox="730 631 836 658">368301-1</p>	 <p data-bbox="1278 631 1383 658">2-85262-1</p>

19) METRI-PACK TYPE CONNECTOR

No. of pin	Receptacle connector(Female)	Plug connector(Male)
2	 <p data-bbox="726 1234 831 1261">12040753</p>	

20) DEUTSCH HD30 CONNECTOR

No. of pin	Receptacle connector(Female)	Plug connector(Male)
23	 <p data-bbox="667 1839 836 1865">HD36-24-23SN</p>	 <p data-bbox="1222 1839 1391 1865">HD34-24-23PN</p>