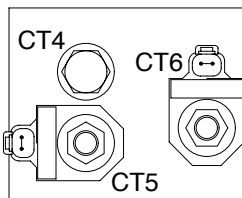
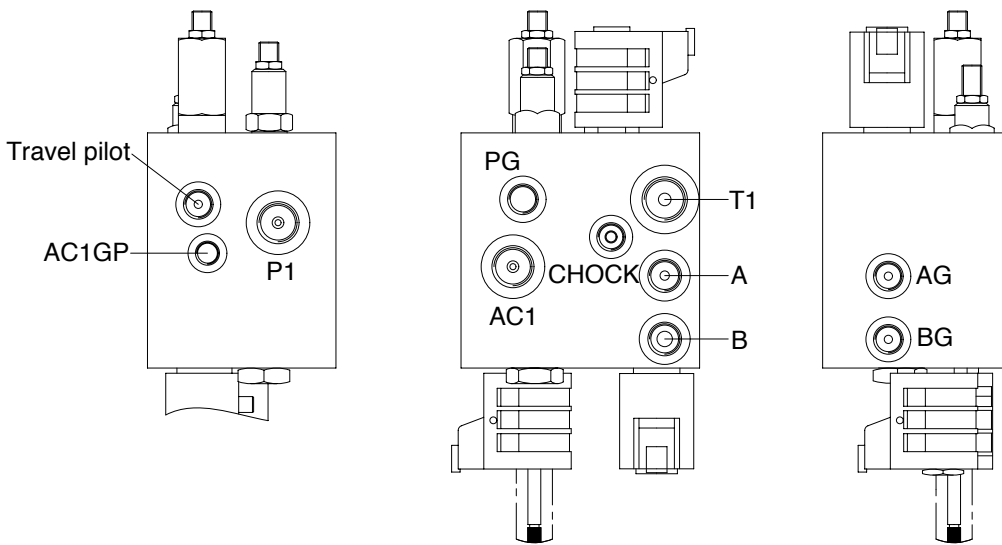
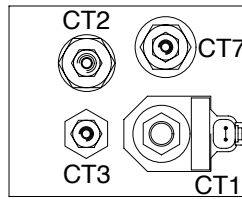
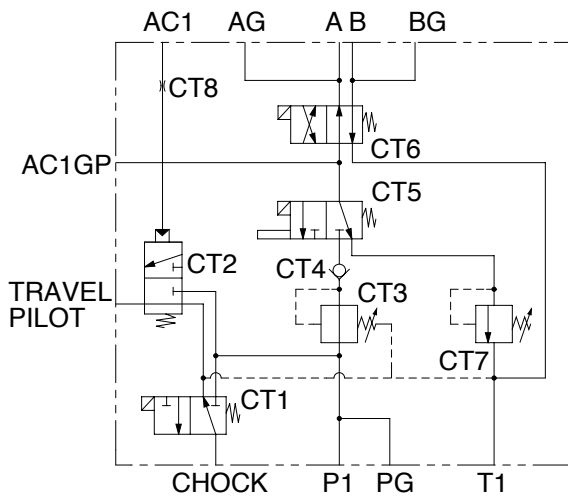


# GROUP 9 TRANSMISSION CONTROL VALVE

## 1. STRUCTURE



20W72TCV02

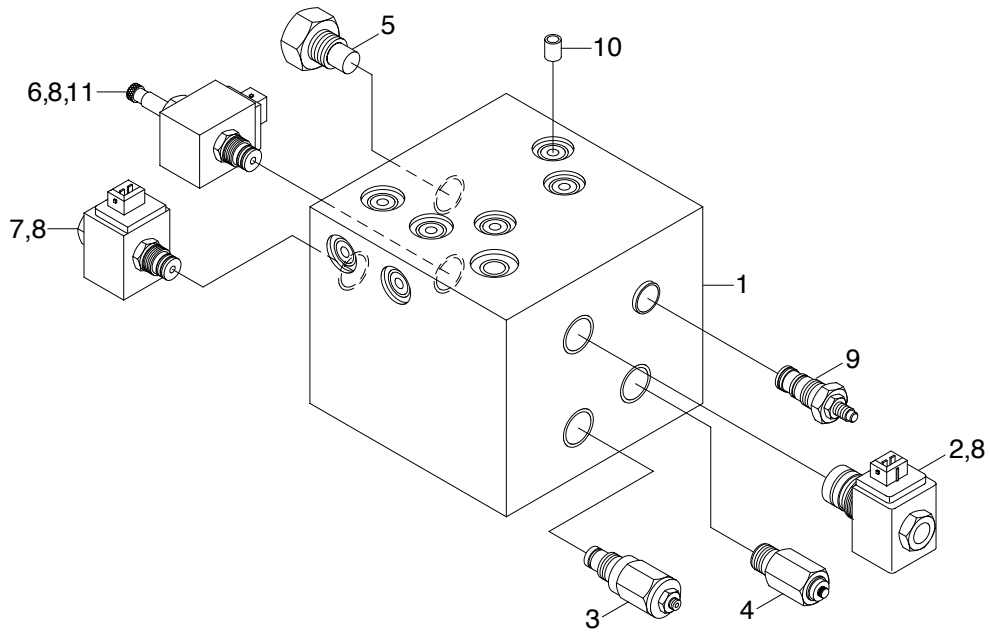


Hydraulic circuit

Port name	Port size
P1, T1, AC1	PF 1/2
Travel pilot, A, B	PF 3/8
AG, BG, PG, CHOCK	PF 1/4

20W72TCV03

## 2. COMPONENT



20W72TCV01

- |   |                |    |                |
|---|----------------|----|----------------|
| 1 | Body           | 7  | Solenoid valve |
| 2 | Solenoid valve | 8  | Coil           |
| 3 | POD valve      | 9  | Relief valve   |
| 4 | Reducing valve | 10 | Orifice        |
| 5 | Check valve    | 11 | Lock nut       |
| 6 | Solenoid valve |    |                |