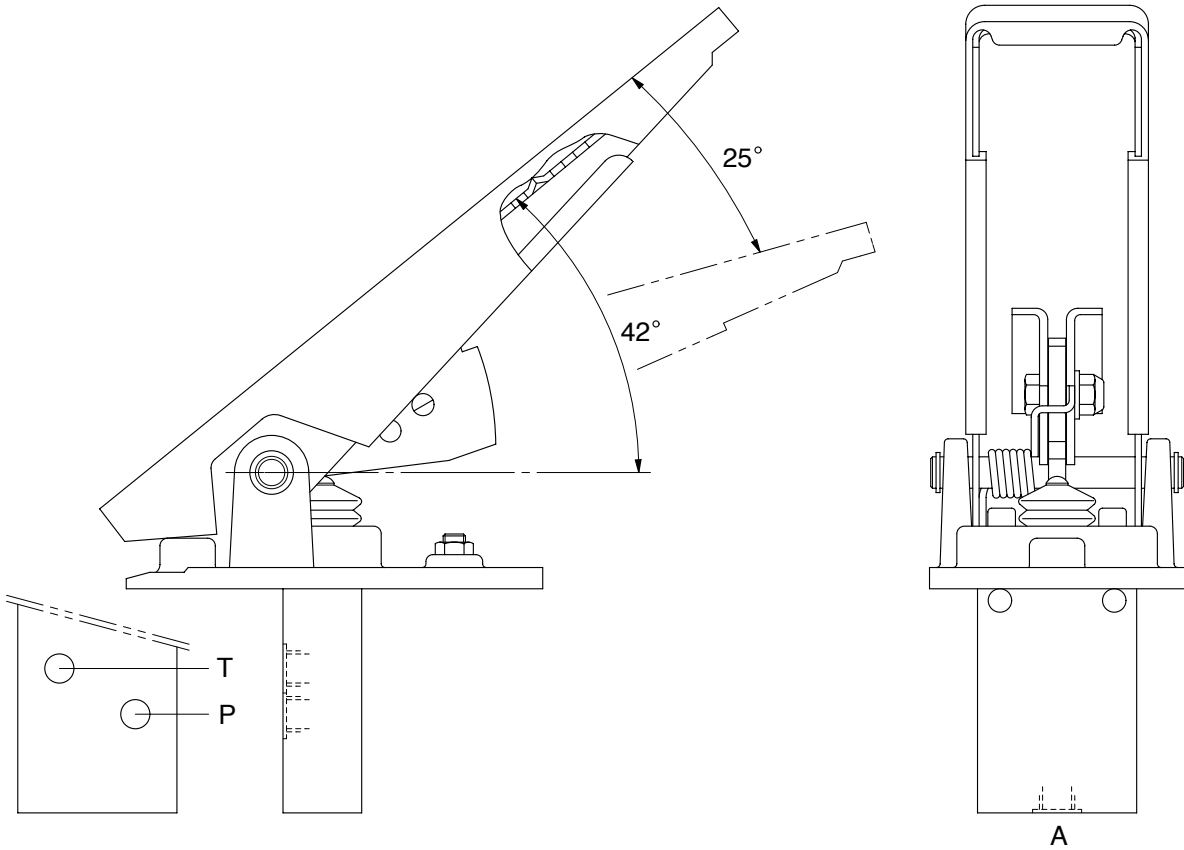


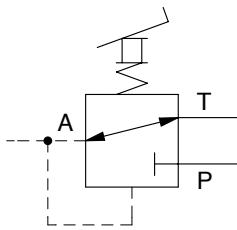
GROUP 6 ACCELERATOR PEDAL

1. STRUCTURE

The casing has the oil inlet port A(Primary pressure), and the oil return port T(Tank). In addition the secondary pressure is taken out through port P.



17032RP01



Hydraulic circuit

Port	Port name	Port size
A	Pilot oil inlet port	G 1/4
T	Pilot oil return port	
P	Pilot oil output port	

17032RP01(2)