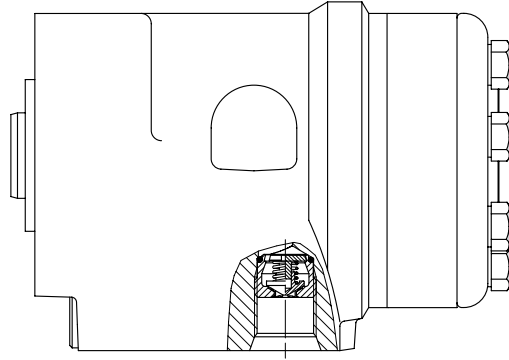
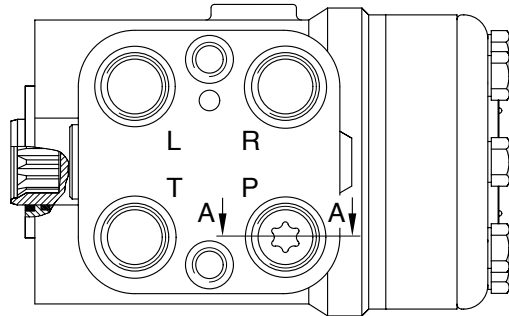
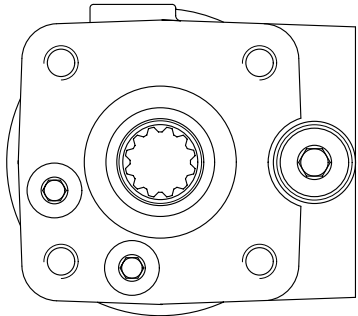


# GROUP 10 STEERING VALVE

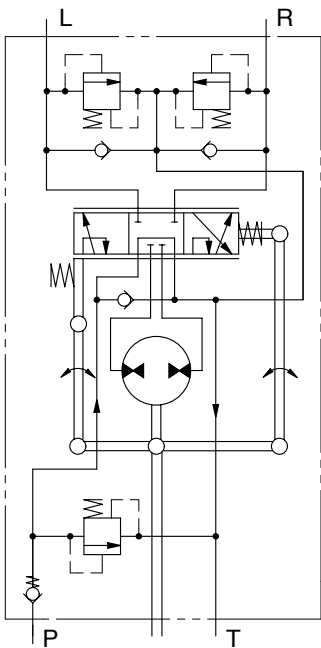
## 1. STRUCTURE



Section A-A



17032SV01

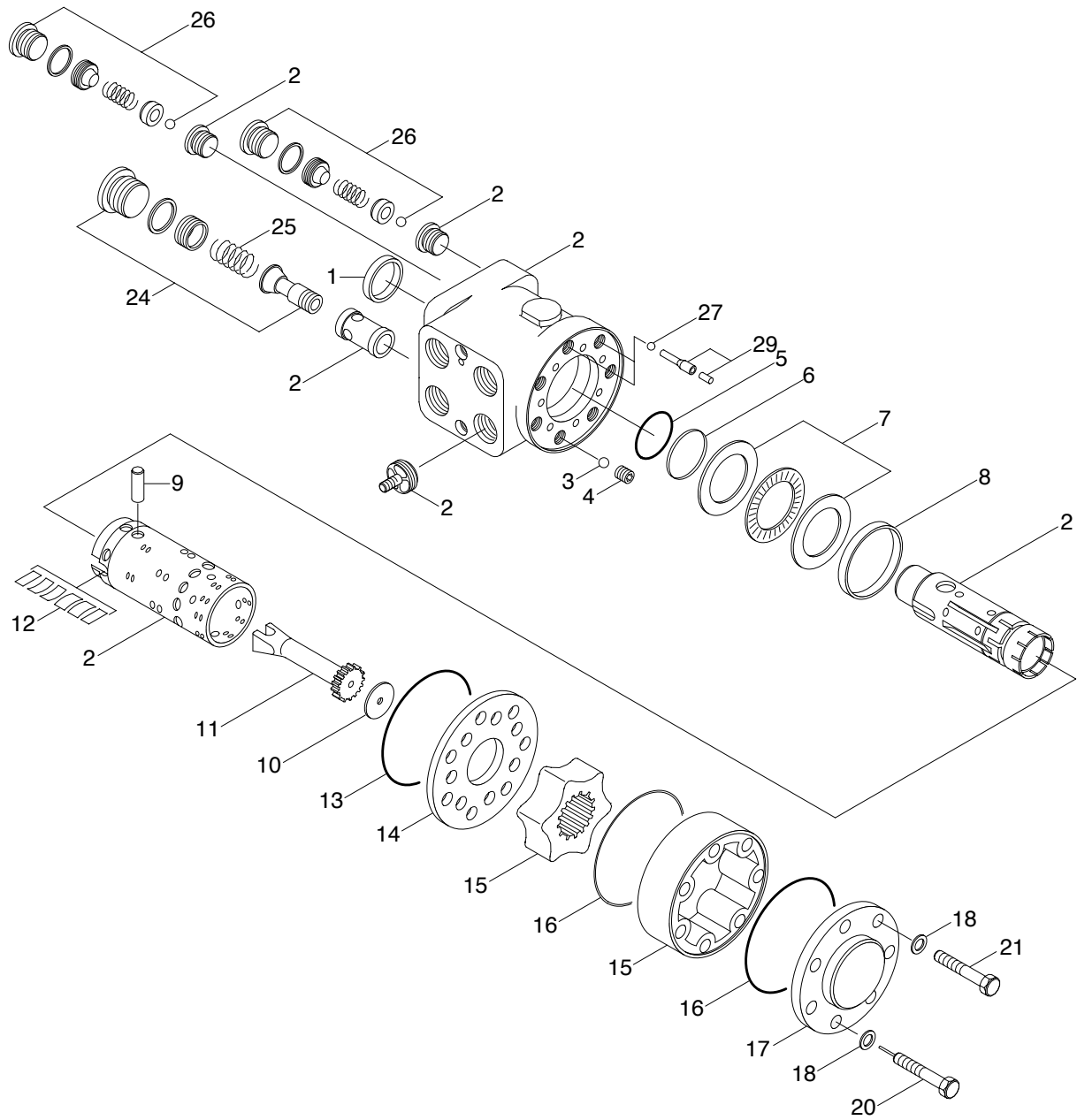


Hydraulic circuit

17032SV01

Port	Port name	Port size
L	Left port	3/4- 16UNF
R	Right port	
T	Tank port	
P	Pump port	

## 2. COMPONENTS



20W72STV01

- |   |                |    |                   |    |                       |
|---|----------------|----|-------------------|----|-----------------------|
| 1 | Dust seal ring | 10 | Spacer            | 18 | Washer                |
| 2 | *Housing assy  | 11 | Shaft             | 20 | Pin screw             |
| 3 | Ball           | 12 | Spring set        | 21 | Screw                 |
| 4 | Bushing        | 13 | O-ring            | 24 | Pressure relief valve |
| 5 | O-ring         | 14 | Distributor plate | 25 | Wire spring           |
| 6 | Kin-ring       | 15 | Gear wheel set    | 26 | Shock valve           |
| 7 | Bearing assy   | 16 | O-ring            | 27 | Ball                  |
| 8 | Ring           | 17 | End cover         | 29 | Bushing               |
| 9 | Cross pin      |    |                   |    |                       |