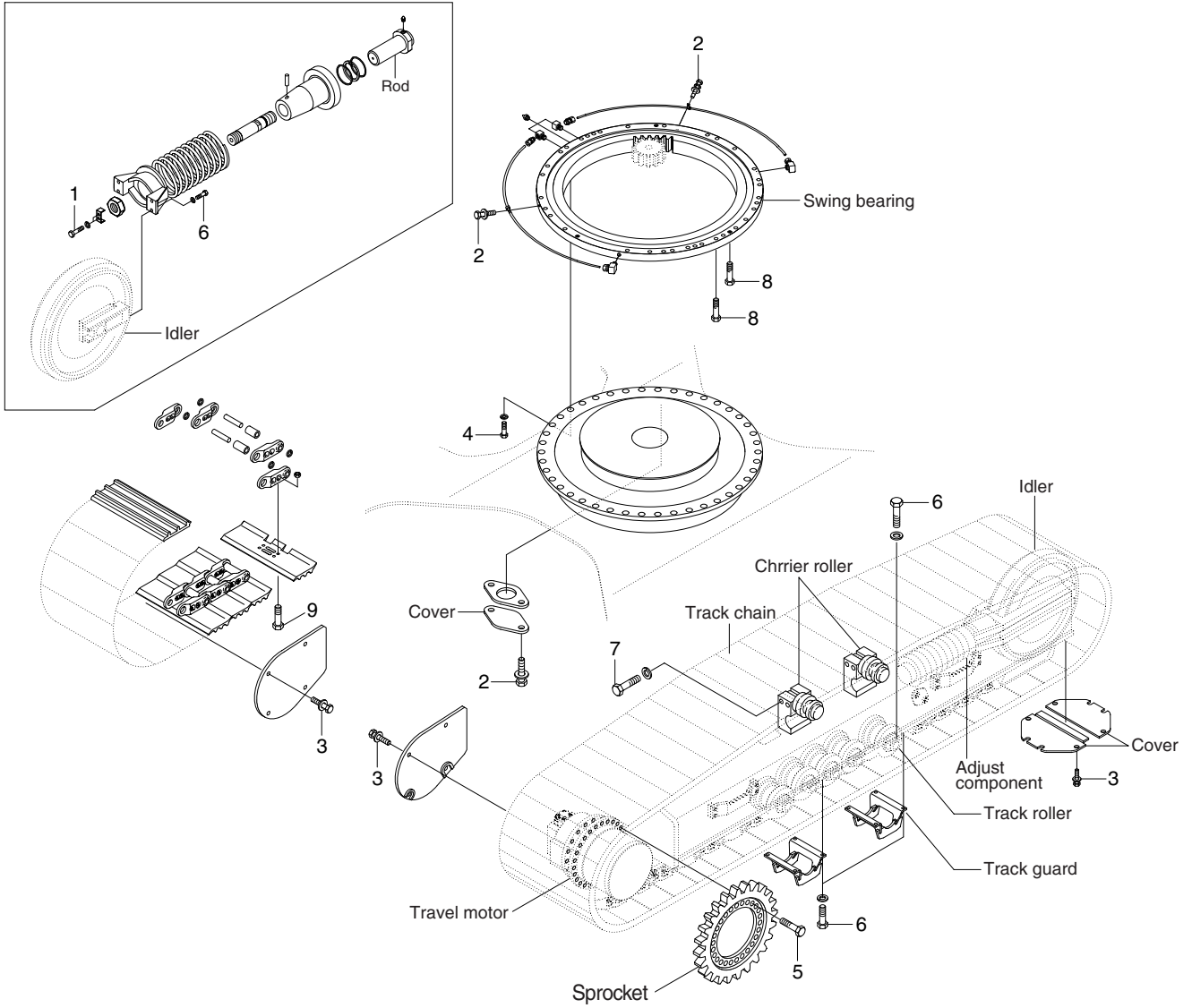


# GROUP 5 UNDERCARRIAGE

## ADJUST COMPONENT



14099CM08

### • Tightening torque

Item	Size	kgf · m	lbf · ft
1	M 8×1.0	3.74±0.7	27.1±5.1
2	M10×1.5	6.9±1.4	49.9±10.1
3	M12×1.75	12.8±3.0	92.6±21.7
4	M16×1.5	31.3±3.2	226±23.1
5	M16×2.0	23±2.5	166±18.1

Item	Size	kgf · m	lbf · ft
6	M16×2.0	29.6±3.2	214±23.1
7	M16×2.0	29.7±4.4	215±31.8
8	M18×2.5	41.3±4.5	299±32.5
9	5/8" UNF	42±4.0	304±29