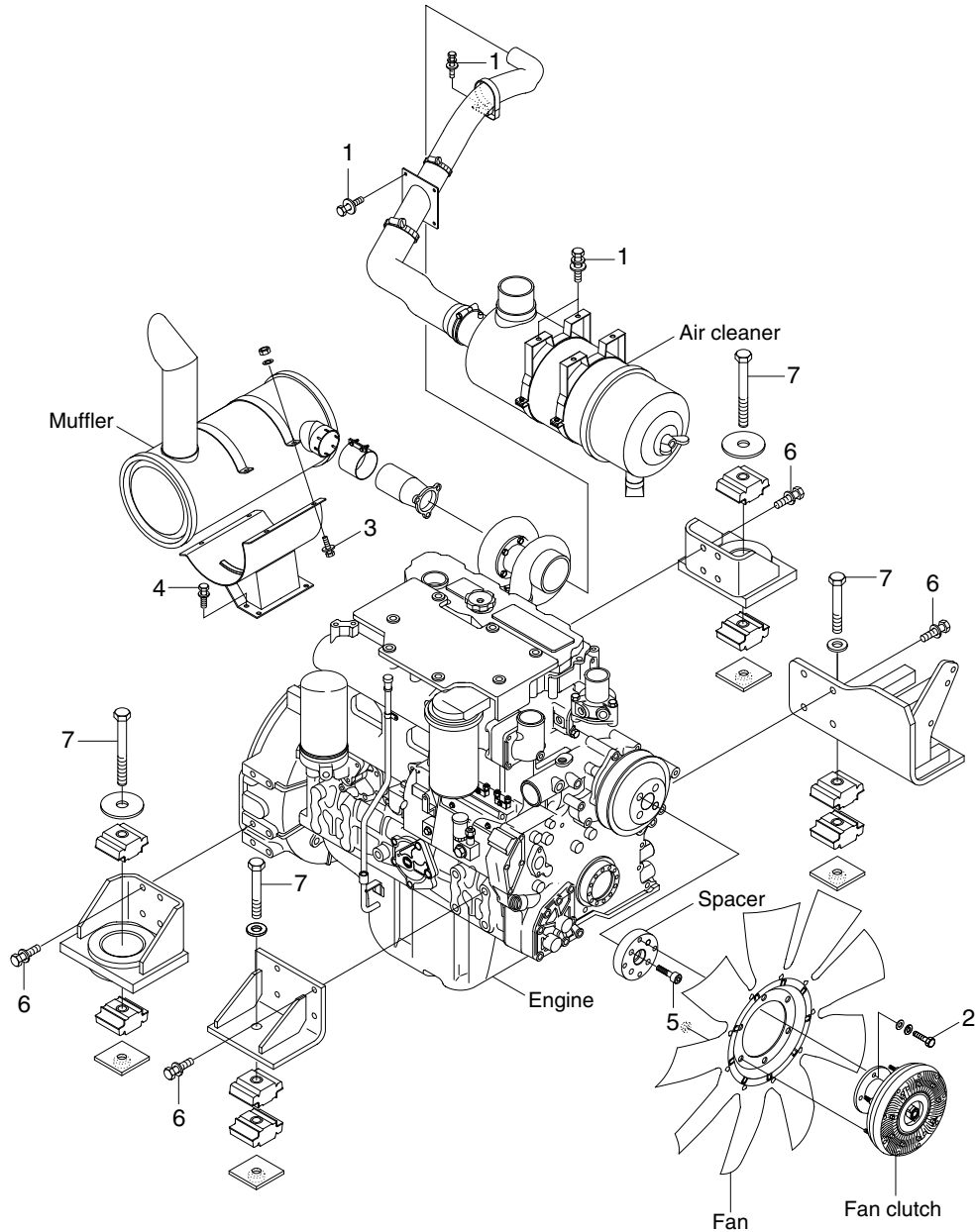


GROUP 2 ENGINE SYSTEM

1. ENGINE AND ACCESSORIES MOUNTING



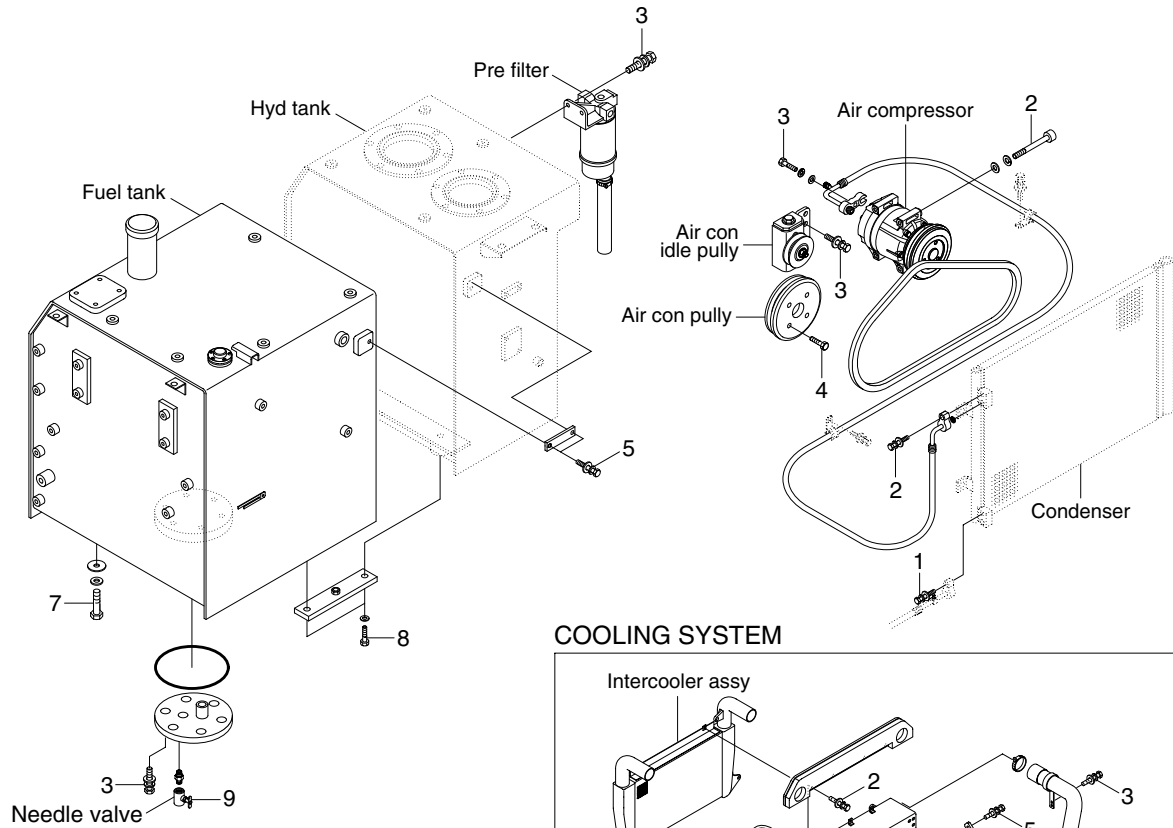
14099CM01

• Tightening torque

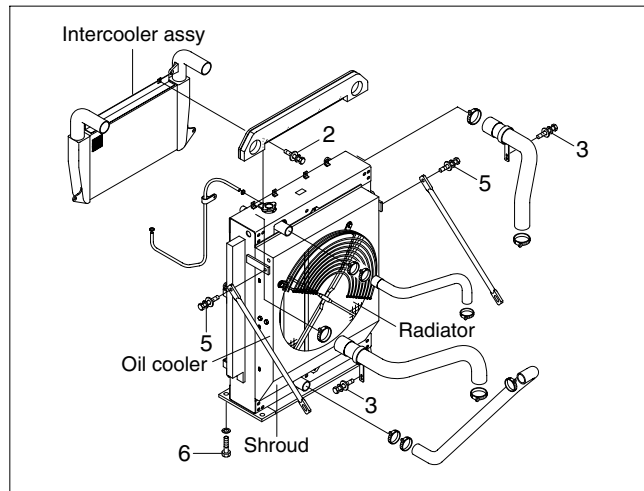
Item	Size	kgf · m	lbf · ft
1	M 8×1.25	2.5±0.5	18.1±3.6
2	M10×1.5	4.4±0.9	31.8±6.5
3	M10×1.5	5.0±1.0	36.2±7.2
4	M10×1.5	6.9±1.4	49.9±10.1

Item	Size	kgf · m	lbf · ft
5	M10×1.5	8.27±1.7	59.8±12.3
6	M12×1.75	10.0±1.0	72.3±7.2
7	M20×2.5	55±3.5	398±25.3

2. COOLING SYSTEM AND FUEL TANK MOUNTING



COOLING SYSTEM



14W99CM02

· Tightening torque

Item	Size	kgf · m	lbf · ft
1	M 6×1.0	1.05±0.2	7.6±1.45
2	M 8×1.25	2.5±0.5	18.1±3.6
3	M10×1.5	6.9±1.4	49.9±10.1
4	M10×1.5	8.3±1.7	60.0±12.3
5	M12×1.75	12.8±3.0	92.6±21.7

Item	Size	kgf · m	lbf · ft
6	M16×2.0	29.7±4.5	215±32.5
7	M20×2.5	46±5.1	333±36.9
8	M20×2.5	57.9±8.7	419±62.9
9	-	2.3±0.6	16.6±4.3