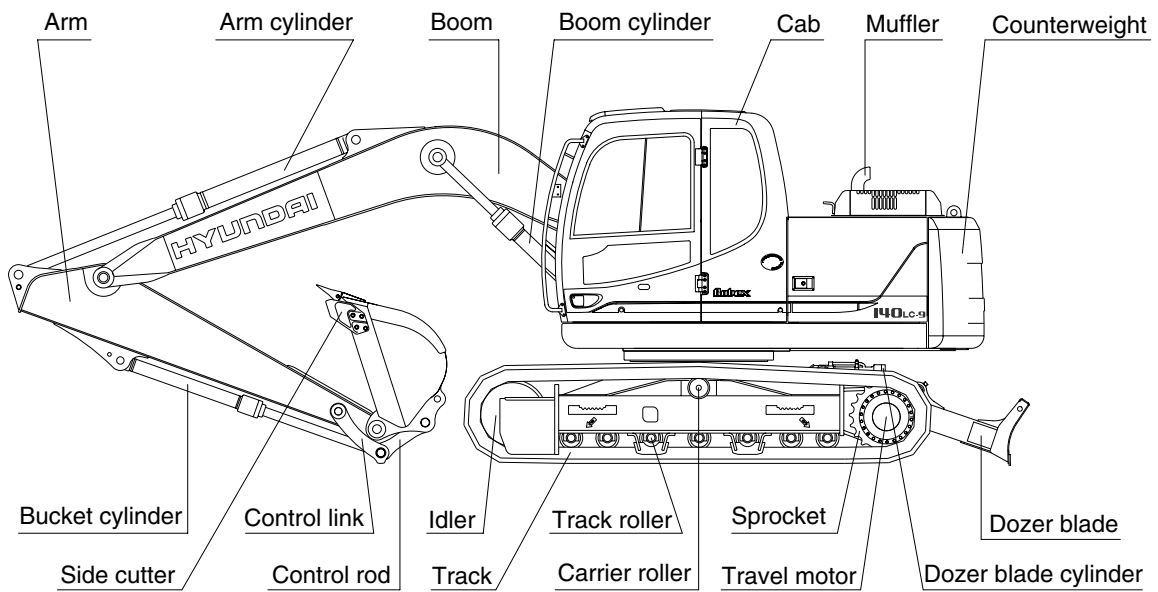
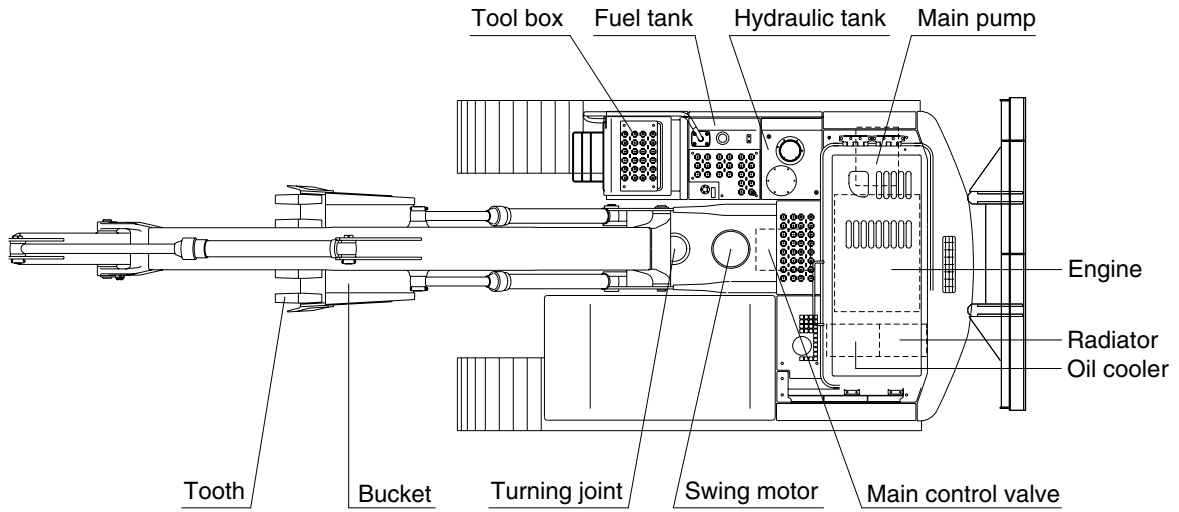


GROUP 2 SPECIFICATIONS

1. MAJOR COMPONENT

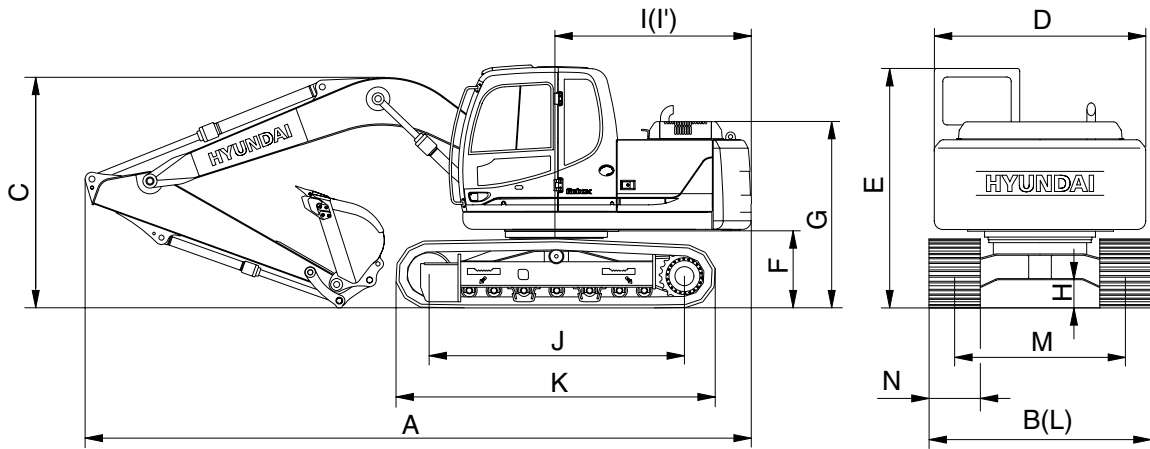


14092SP01

2. SPECIFICATIONS

1) R140LC-9

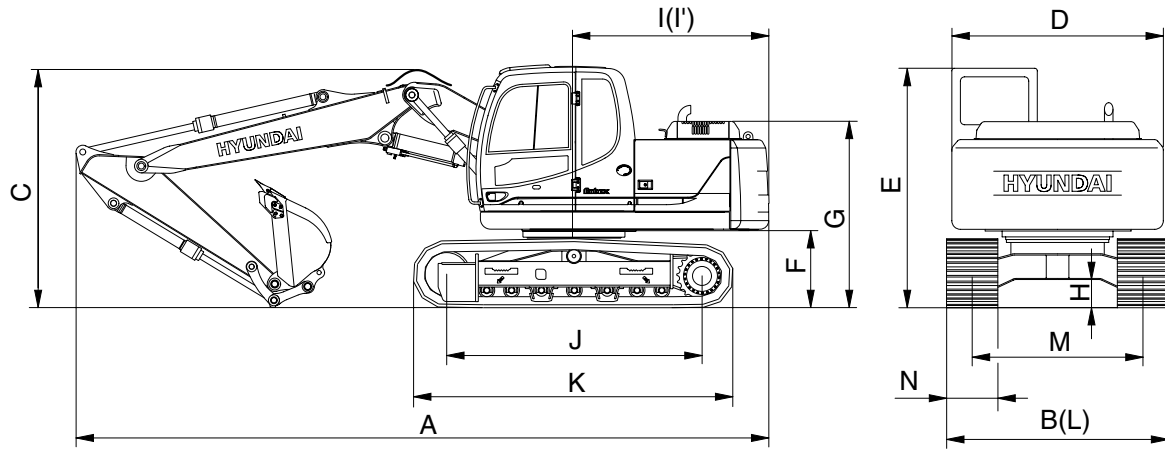
· 4.60 m (15' 1") BOOM and 2.50 m (8' 2") ARM



14092SP02

Description		Unit	Specification
Operating weight		kg (lb)	13980 (30820)
Bucket capacity (SAE heaped), standard		m ³ (yd ³)	0.58 (0.76)
Overall length	A	mm (ft-in)	7820 (25' 7")
Overall width, with 600 mm shoe	B		2600 (8' 6")
Overall height	C		2780 (9' 1")
Superstructure width	D		2500 (8' 2")
Overall height of cab	E		2860 (9' 4")
Ground clearance of counterweight	F		940 (3' 1")
Engine cover height	G		2050 (6' 7")
Minimum ground clearance	H		440 (1' 5")
Rear-end distance	I		2330 (7' 7")
Rear-end swing radius	I'		2330 (7' 7")
Distance between tumblers	J		3000 (9'10")
Undercarriage length	K		3750 (12' 4")
Undercarriage width	L		2600 (8' 6")
Track gauge	M		2000 (6' 7")
Track shoe width, standard	N		600 (24")
Travel speed (low/high)			km/hr (mph)
Swing speed		rpm	12.0
Gradeability		Degree (%)	35 (70)
Ground pressure (600 mm shoe)		kgf/cm ² (psi)	0.36 (5.12)
Max traction force		kg (lb)	13300 (29320)

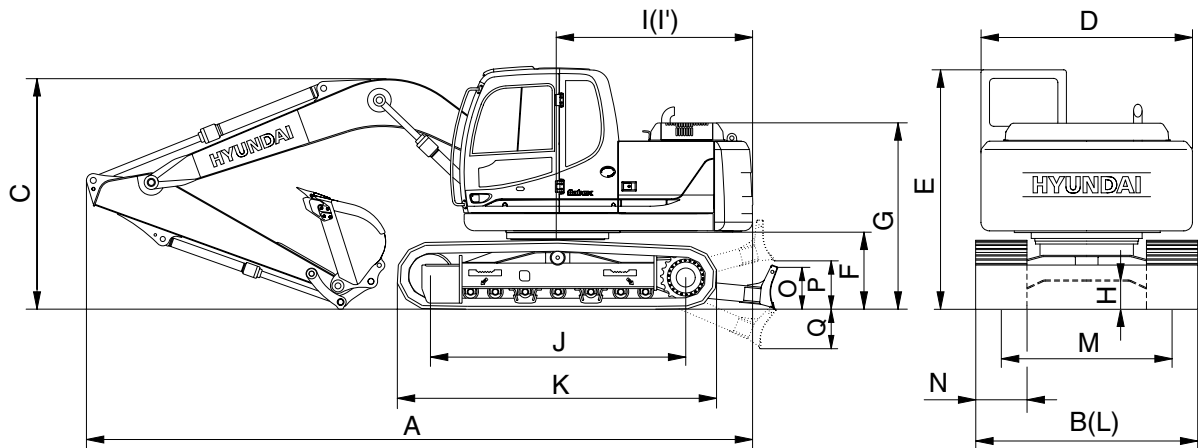
2) R140LC-9, HYDRAULIC ADJUSTABLE BOOM



14092SP03

Description		Unit	Specification
Operating weight		kg (lb)	13980 (30860)
Bucket capacity (SAE heaped), standard		m ³ (yd ³)	0.58 (0.76)
Overall length	A	mm (ft-in)	8150 (26' 8")
Overall width, with 600 mm shoe	B		2600 (8' 6")
Overall height	C		2960 (9' 7")
Superstructure width	D		2500 (8' 2")
Overall height of cab	E		2870 (9' 4")
Ground clearance of counterweight	F		940 (3' 1")
Engine cover height	G		2050 (6' 7")
Minimum ground clearance	H		440 (1' 5")
Rear-end distance	I		2330 (7' 7")
Rear-end swing radius	I'		2330 (7' 7")
Distance between tumbler	J		3000 (9'10")
Undercarriage length	K		3750 (12' 4")
Undercarriage width	L		2600 (8' 6")
Track gauge	M		2000 (6' 7")
Track shoe width, standard	N		600 (24")
Travel speed (low/high)		km/hr (mph)	3.2/5.5 (2.0/3.4)
Swing speed		rpm	12.0
Gradeability		Degree (%)	35 (70)
Ground pressure (600 mm shoe)		kgf/cm ² (psi)	0.36 (5.12)
Max traction force		kg (lb)	13300 (29320)

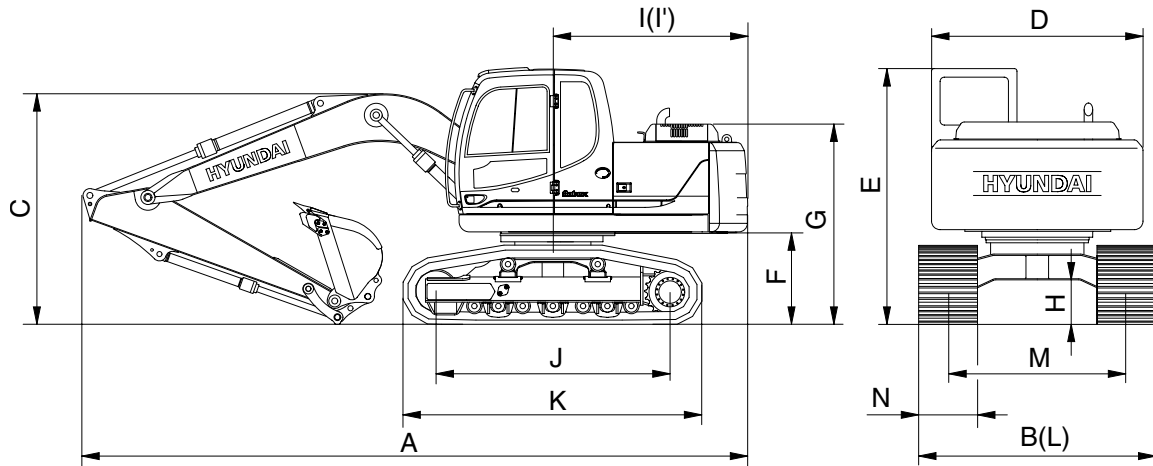
3) R140LCD-9



14092SP04

Description		Unit	Specification
Operating weight		kg (lb)	14800 (32630)
Bucket capacity (SAE heaped), standard		m ³ (yd ³)	0.58 (0.76)
Overall length	A	mm (ft-in)	8130 (26' 7")
Overall width, with 600 mm shoe	B		2600 (8' 6")
Overall height	C		2780 (9' 1")
Superstructure width	D		2500 (8' 2")
Overall height of cab	E		2860 (9' 4")
Ground clearance of counterweight	F		940 (3' 1")
Engine cover height	G		2050 (6' 7")
Minimum ground clearance	H		440 (1' 5")
Rear-end distance	I		2330 (7' 7")
Rear-end swing radius	I'		2330 (7' 7")
Distance between tumblers	J		3000 (9'10")
Undercarriage length	K		3750 (12' 4")
Undercarriage width	L		2600 (8' 6")
Track gauge	M		2000 (6' 7")
Track shoe width, standard	N		600 (24")
Height of blade	O		550 (1' 8")
Ground clearance of blade up	P		560 (1' 8")
Depth of blade down	Q		500 (1' 6")
Travel speed (low/high)			km/hr (mph)
Swing speed		rpm	12.0
Gradeability		Degree (%)	35 (70)
Ground pressure (600 mm shoe)		kgf/cm ² (psi)	0.38 (5.40)
Max traction force		kg (lb)	13300 (29320)

4) R140LCM-9



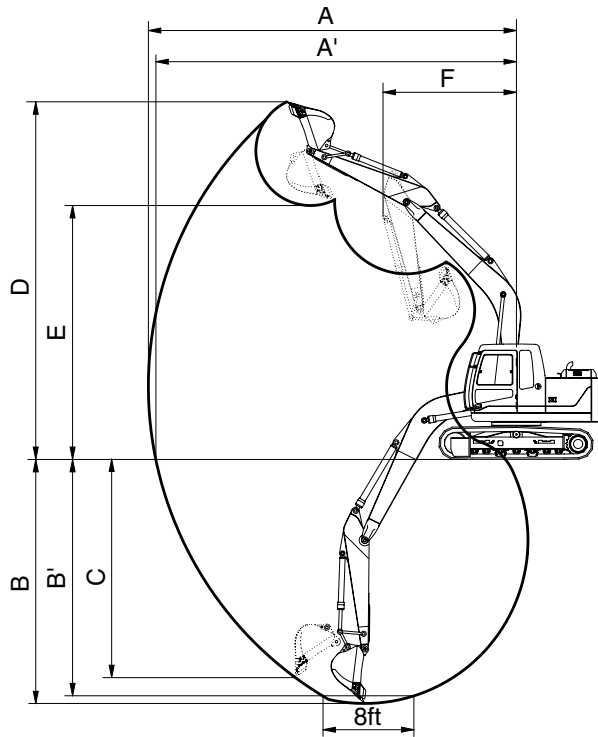
14092SP05

Description		Unit	Specification
Operating weight		kg (lb)	16880 (37210)
Bucket capacity (SAE heaped), standard		m ³ (yd ³)	0.58 (0.76)
Overall length	A	mm (ft-in)	7790 (25' 6")
Overall width, with 800 mm shoe	B		2840 (9' 4")
Overall height	C		2830 (9' 3")
Superstructure width	D		2500 (8' 2")
Overall height of cab	E		3120 (10' 2")
Ground clearance of counterweight	F		1200 (3' 9")
Engine cover height	G		2310 (7' 6")
Minimum ground clearance	H		600 (2' 0")
Rear-end distance	I		2330 (7' 7")
Rear-end swing radius	I'		2330 (7' 7")
Distance between tumblers	J		3030 (9' 6")
Undercarriage length	K		3860 (12' 8")
Undercarriage width	L		2840 (9' 4")
Track gauge	M		2040 (6' 8")
Track shoe width, standard	N		800 (32")
Travel speed (low/high)			km/hr (mph)
Swing speed		rpm	12.0
Gradeability		Degree (%)	35 (70)
Ground pressure (800 mm shoe)		kgf/cm ² (psi)	0.32 (4.55)
Max traction force		kg (lb)	13300 (29320)

3. WORKING RANGE

1) R140LC/LCD-9

(1) 4.60 m (15' 1") MONO BOOM

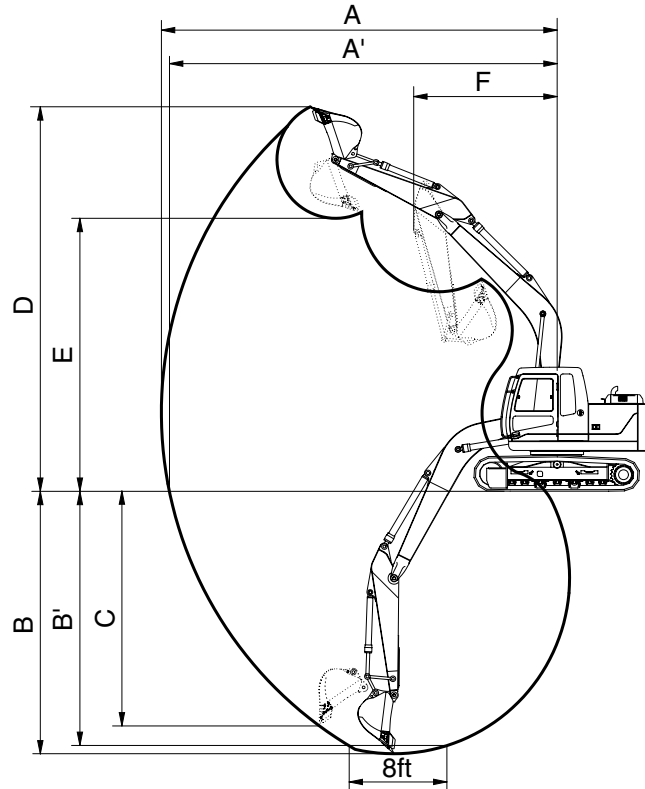


14092SP06

Description		1.90 m (6' 3") Arm	2.10 m (6' 11") Arm	※2.50 m (8' 2") Arm	3.00 m (9' 10") Arm
Max digging reach	A	7750 mm (25' 5")	7920 mm (25'11")	8330 mm (27' 4")	8790 mm (28'10")
Max digging reach on ground	A'	7600 mm (24'11")	7770 mm (25' 6")	8180 mm (26'10")	8650 mm (28' 4")
Max digging depth	B	4950 mm (16' 2")	5150 mm (16'10")	5550 mm (18' 3")	6050 mm (19'10")
Max digging depth (8ft level)	B'	4680 mm (15' 4")	4900 mm (16' 1")	5340 mm (17' 6")	5870 mm (19' 3")
Max vertical wall digging depth	C	4650 mm (15' 3")	4900 mm (16' 1")	5330 mm (17' 6")	5850 mm (19' 2")
Max digging height	D	8100 mm (26' 7")	8180 mm (26'10")	8500 mm (27'11")	8780 mm (28'10")
Max dumping height	E	5670 mm (18' 7")	5750 mm (18'10")	6060 mm (19'11")	6330 mm (20' 9")
Min swing radius	F	2630 mm (8' 8")	2670 mm (8' 9")	2650 mm (8' 8")	2680 mm (8'10")
Bucket digging force	SAE	87.3 [94.8] kN	87.3 [94.8] kN	87.3 [94.8] kN	87.3 [94.8] kN
		8900 [9660] kgf	8900 [9660] kgf	8900 [9660] kgf	8900 [9660] kgf
		19620 [21300] lbf	19620 [21300] lbf	19620 [21300] lbf	19620 [21300] lbf
	ISO	102 [110.8] kN	102 [110.8] kN	102 [110.8] kN	102 [110.8] kN
		10400 [11290] kgf	10400 [11290] kgf	10400 [11290] kgf	10400 [11290] kgf
		22930 [24890] lbf	22930 [24890] lbf	22930 [24890] lbf	22930 [24890] lbf
Arm crowd force	SAE	76.5 [83.1] kN	73.6 [79.9] kN	62.8 [68.2] kN	55.9 [60.7] kN
		7800 [8470] kgf	7500 [8140] kgf	6400 [6950] kgf	5700 [6190] kgf
		17200 [18670] lbf	16530 [17950] lbf	14110 [15320] lbf	12570 [13640] lbf
	ISO	80.4 [87.3] kN	77.5 [84.1] kN	65.7 [71.4] kN	57.9 [62.8] kN
		8200 [8900] kgf	7900 [8580] kgf	6700 [7270] kgf	5900 [6410] kgf
		18080 [19630] lbf	17420 [18910] lbf	14770 [16040] lbf	13010 [14120] lbf

※ : STD [] : Power boost

(2) 4.10 m (13' 5") MONO BOOM

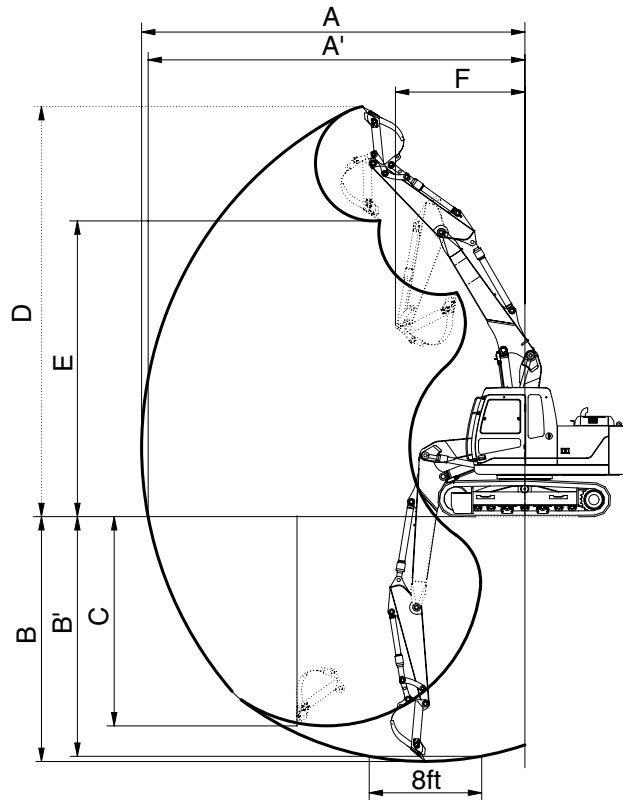


14092SP06

Description		1.90 m (6' 3") Arm	2.10 m (6' 11") Arm
Max digging reach	A	7260 mm (23'10")	7420 mm (24' 4")
Max digging reach on ground	A'	7090 mm (23' 3")	7260 mm (23'10")
Max digging depth	B	4540 mm (14'11")	4740 mm (15' 7")
Max digging depth (8ft level)	B'	4280 mm (14' 1")	4490 mm (14' 9")
Max vertical wall digging depth	C	4240 mm (13'11")	4350 mm (14' 3")
Max digging height	D	7700 mm (25' 3")	7770 mm (25' 6")
Max dumping height	E	5260 mm (17' 3")	5340 mm (17' 6")
Min swing radius	F	2350 mm (7' 9")	2460 mm (8' 1")
Bucket digging force	SAE	87.3 [94.8] kN	87.3 [94.8] kN
		8900 [9660] kgf	8900 [9660] kgf
		19620 [21300] lbf	19620 [21300] lbf
	ISO	102 [110.8] kN	102 [110.8] kN
		10400 [11290] kgf	10400 [11290] kgf
		22930 [24890] lbf	22930 [24890] lbf
Arm crowd force	SAE	76.5 [83.1] kN	73.6 [79.9] kN
		7800 [8470] kgf	7500 [8140] kgf
		17200 [18670] lbf	16530 [17950] lbf
	ISO	80.4 [87.3] kN	77.5 [84.1] kN
		8200 [8900] kgf	7900 [8580] kgf
		18080 [19630] lbf	17420 [18910] lbf

[] : Power boost

(3) 4.90 m (16' 1") ADJUST BOOM



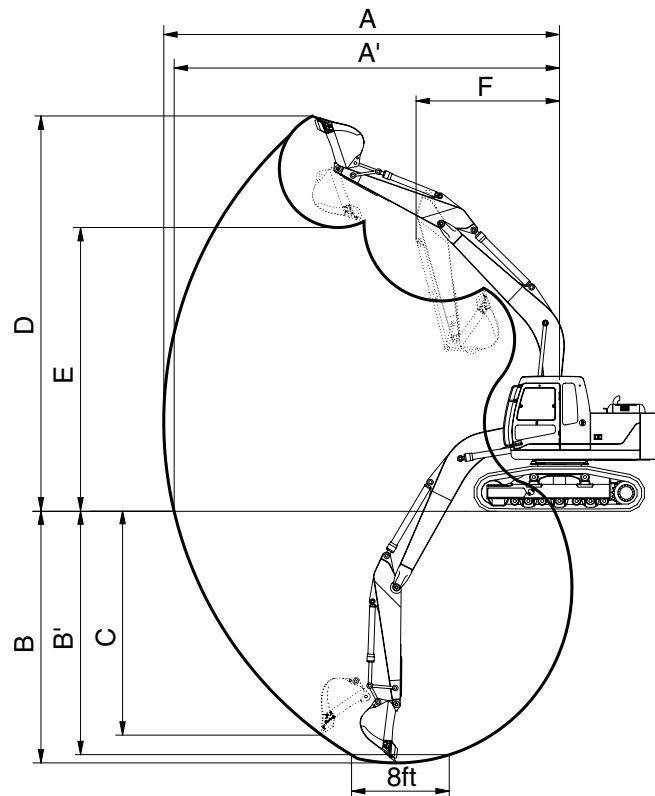
14092SP08

Description		1.90 m (6' 3") Arm	2.10 m (6' 11") Arm	2.50 m (8' 2") Arm
Max digging reach	A	8140mm (26' 8")	8320 mm (27' 4")	8720 mm (28' 7")
Max digging reach on ground	A'	8000mm (26' 3")	8180 mm (26'10")	8590 mm (28' 2")
Max digging depth	B	5110mm (16' 9")	5310 mm (17' 5")	5710 mm (18' 9")
Max digging depth (8ft level)	B'	5000mm (16' 5")	5190 mm (17' 0")	5610 mm (18' 5")
Max vertical wall digging depth	C	4490mm (14' 9")	4660 mm (15' 3")	5120 mm (16'10")
Max digging height	D	8810mm (28'11")	8890 mm (29' 2")	9270 mm (30' 5")
Max dumping height	E	6330mm (20' 9")	6410 mm (21' 0")	6780 mm (22' 3")
Min swing radius	F	2670mm (8' 9")	2830 mm (9' 3")	2690 mm (8'10")
Bucket digging force	SAE	87.3 [94.8] kN	87.3 [94.8] kN	87.3 [94.8] kN
		8900 [9660] kgf	8900 [9660] kgf	8900 [9660] kgf
		19620 [21300] lbf	19620 [21300] lbf	19620 [21300] lbf
	ISO	102 [110.8] kN	102 [110.8] kN	102 [110.8] kN
		10400 [11290] kgf	10400 [11290] kgf	10400 [11290] kgf
		22930 [24890] lbf	22930 [24890] lbf	22930 [24890] lbf
Arm crowd force	SAE	76.5 [83.1] kN	73.6 [79.9] kN	62.8 [68.2] kN
		7800 [8470] kgf	7500 [8140] kgf	6400 [6950] kgf
		17200 [18670] lbf	16530 [17950] lbf	14110 [15320] lbf
	ISO	80.4 [87.3] kN	77.5 [84.1] kN	65.7 [71.4] kN
		8200 [8900] kgf	7900 [8580] kgf	6700 [7270] kgf
		18080 [19630] lbf	17420 [18910] lbf	14770 [16040] lbf

[] : Power boost

2) R140LCM-9

(1) 4.6 m (15' 1") MONO BOOM



14092SP09

Description		1.90 m (6' 3") Arm	2.10 m (6' 11") Arm	※2.50 m (8' 2") Arm	3.00 m (9' 10") Arm
Max digging reach	A	7750 mm (25' 5")	7920 mm (26' 0")	8330 mm (27' 4")	8790 mm (28'10")
Max digging reach on ground	A'	7540 mm (24' 9")	7710 mm (25' 4")	8110 mm (26' 7")	8580 mm (28' 2")
Max digging depth	B	4690 mm (15' 5")	4890 mm (16' 1")	5290 mm (17' 4")	5790 mm (19' 0")
Max digging depth (8ft level)	B'	4420 mm (14' 6")	4640 mm (15' 3")	5080 mm (16' 8")	5610 mm (18' 5")
Max vertical wall digging depth	C	4390 mm (14' 5")	4640 mm (15' 3")	5070 mm (16' 8")	5590 mm (18' 4")
Max digging height	D	8360 mm (27' 5")	8440 mm (27' 8")	8760 mm (28' 9")	9040 mm (29' 7")
Max dumping height	E	5930 mm (19' 5")	6010 mm (19' 8")	6320 mm (20' 9")	6590 mm (21' 7")
Min swing radius	F	2630 mm (8' 8")	2670 mm (8' 9")	2650 mm (8' 8")	2680 mm (8'10")
Bucket digging force	SAE	87.3 [94.8] kN	87.3 [94.8] kN	87.3 [94.8] kN	87.3 [94.8] kN
		8900 [9660] kgf	8900 [9660] kgf	8900 [9660] kgf	8900 [9660] kgf
		19620 [21300] lbf	19620 [21300] lbf	19620 [21300] lbf	19620 [21300] lbf
	ISO	102 [110.8] kN	102 [110.8] kN	102 [110.8] kN	102 [110.8] kN
		10400 [11290] kgf	10400 [11290] kgf	10400 [11290] kgf	10400 [11290] kgf
		22930 [24890] lbf	22930 [24890] lbf	22930 [24890] lbf	22930 [24890] lbf
Arm crowd force	SAE	76.5 [83.1] kN	73.6 [79.9] kN	62.8 [68.2] kN	55.9 [60.7] kN
		7800 [8470] kgf	7500 [8140] kgf	6400 [6950] kgf	5700 [6190] kgf
		17200 [18670] lbf	16530 [17950] lbf	14110 [15320] lbf	12570 [13640] lbf
	ISO	80.4 [87.3] kN	77.5 [84.1] kN	65.7 [71.4] kN	57.9 [62.8] kN
		8200 [8900] kgf	7900 [8580] kgf	6700 [7270] kgf	5900 [6410] kgf
		18080 [19630] lbf	17420 [18910] lbf	14770 [16040] lbf	13010 [14120] lbf

※ : STD [] : Power boost

4. WEIGHT

1) R140LC-9, R140LCD-9

Item	R140LC-9		R140LCD-9	
	kg	lb	kg	lb
Upper structure assembly	5630	12420	←	
Main frame weld assembly	1160	2560	←	
Engine assembly	420	930	←	
Main pump assembly	100	220	←	
Main control valve assembly	140	310	←	
Swing motor assembly	120	260	←	
Hydraulic oil tank assembly	160	350	←	
Fuel tank assembly	130	290	←	
Counterweight	2000	4410	←	
Cab assembly	500	1100	←	
Lower chassis assembly	5340	11760	6160	13580
Track frame weld assembly	1590	3510	1840	4060
Swing bearing	190	410	←	
Travel motor assembly	480	1060	←	
Turning joint	50	110	←	
Track recoil spring	210	460	←	
Idler	250	550	←	
Carrier roller	40	90	←	
Track roller	490	1080	←	
Track-chain assembly (600 mm standard triple grouser shoe)	1010	2230	←	
Dozer blade assembly	-		550	1220
Front attachment assembly (4.6 m boom, 2.5 m arm, 0.58 m ³ SAE heaped bucket)	2420	5330	←	
4.6 m boom assembly	830	1830	←	
2.5 m arm assembly	435	960	←	
0.58 m ³ SAE heaped bucket	480	1060	←	
Boom cylinder assembly	130	290	←	
Arm cylinder assembly	160	350	←	
Bucket cylinder assembly	100	220	←	
Bucket control rod assembly	90	200	←	
Dozer blade cylinder assembly	-		55	120

2) R140LCM-9


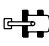

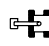





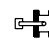
Item	R140LCM-9	
	kg	lb
Upper structure assembly	5630	12420
Main frame weld assembly	1160	2560
Engine assembly	420	930
Main pump assembly	100	220
Main control valve assembly	140	310
Swing motor assembly	120	260
Hydraulic oil tank assembly	160	350
Fuel tank assembly	130	290
Counterweight	2000	4410
Cab assembly	480	1060
Lower chassis assembly	8700	19180
Track frame weld assembly	2180	4810
Swing bearing	190	410
Travel motor assembly	305	670
Turning joint	50	110
Tension cylinder assembly	280	620
Idler assembly	320	710
Carrier roller assembly	200	440
Track roller assembly	700	1540
Track-chain assembly (800 mm standard triple grouser shoe)	1370	3020
Front attachment assembly (4.6 m boom, 2.5 m arm, 0.58 m ³ SAE heaped bucket)	2420	5330
4.6 m boom assembly	830	1830
2.5 m arm assembly	435	960
0.58 m ³ SAE heaped bucket	480	1060
Boom cylinder assembly	130	290
Arm cylinder assembly	160	350
Bucket cylinder assembly	100	220
Bucket control rod assembly	90	200

5. LIFTING CAPACITIES

1) R140LC-9


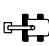

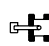






(1) 4.60 m (15' 1") boom, 2.50 m (8' 2") arm equipped with 0.58 m³ (SAE heaped) bucket and 600 mm (24") triple grouser shoe and 2000 kg (4410 lb) counterweight.

-  : Rating over-front
-  : Rating over-side or 360 degree

Load point height		Load radius								At max. reach		
		1.5 m (5 ft)		3.0 m (10 ft)		4.5 m (15 ft)		6.0 m (20 ft)		Capacity		Reach m (ft)
												
6.0 m (20.0 ft)	kg lb									*2810 *6190	1920 4230	6.69 (21.9)
4.5 m (15.0 ft)	kg lb						*2770 *6110	2270 5000	2440 5380	1500 3310	7.53 (24.7)	
3.0 m (10.0 ft)	kg lb			*4930 *10870	*4930 *10870	*3830 *8440	3570 7870	*3380 *7450	2190 4830	2170 4780	1310 2890	7.95 (26.1)
1.5 m (5.0 ft)	kg lb			*8030 *17700	6240 13760	*5010 *11050	3300 7280	3380 7450	2070 4560	2100 4630	1250 2760	8.03 (26.3)
Ground Line	kg lb			*8780 *19360	5800 12790	5200 11460	3090 6810	3270 7210	1970 4340	2180 4810	1300 2870	7.77 (25.5)
-1.5 m (-5.0 ft)	kg lb	*5740 *12650	*5740 *12650	*9910 *21850	5700 12570	5080 11200	2990 6590	3220 7100	1920 4230	2500 5510	1500 3310	7.15 (23.5)
-3.0 m (-10 ft)	kg lb	*8760 *19310	*8760 *19310	*9040 *19930	5770 12720	5100 11240	3000 6610			3340 7360	2030 4480	6.01 (19.7)
-4.5 m (-15.0 ft)	kg lb			*6590 *14530	6030 13290							



- Note
1. Lifting capacity are based on SAE J1097 and ISO 10567.
 2. Lifting capacity of the ROBEX series does not exceed 75% of tipping load with the machine on firm, level ground or 87% of full hydraulic capacity.
 3. The load point is a hook located on the back of the bucket.
 4. *indicates load limited by hydraulic capacity.


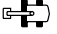






(2) 4.60 m (15' 1") boom, 1.90 m (6' 3") arm equipped with 0.58 m³ (SAE heaped) bucket and 600 mm (24") triple grouser shoe and 2000 kg (4410 lb) counterweight.

Load point height		Load radius								At max. reach		
		1.5 m (5 ft)		3.0 m (10 ft)		4.5 m (15 ft)		6.0 m (20 ft)		Capacity		Reach m (ft)
												
6.0 m (20.0 ft)	kg lb					*3340 *7360	*3340 *7360			*3170 *6990	2350 5180	5.95 (19.5)
4.5 m (15.0 ft)	kg lb					*3550 *7830	*3550 *7830			2820 6220	1760 3880	6.90 (22.6)
3.0 m (10.0 ft)	kg lb			*6270 *13820	*6270 *13820	*4440 *9790	3510 7740	3480 7670	2170 4780	2480 5470	1520 3350	7.37 (24.2)
1.5 m (5.0 ft)	kg lb			*8490 *18720	6040 13320	5400 11900	3270 7210	3380 7450	2080 4590	2390 5270	1450 3200	7.45 (24.4)
Ground Line	kg lb			*8230 *18140	5790 12760	5200 11460	3100 6830	3300 7280	2000 4410	2510 5530	1520 3350	7.17 (23.5)
-1.5 m (-5.0 ft)	kg lb	*6670 *14700	*6670 *14700	*9690 *21360	5800 12790	5140 11330	3050 6720			2960 6530	1810 3990	6.48 (21.3)
-3.0 m (-10 ft)	kg lb	*10970 *24180	*10970 *24180	*8330 *18360	5930 13070	5220 11510	3110 6860			*3690 *8140	2670 5890	5.15 (16.9)

2) R140LC-9, ADJUST BOOM




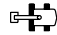



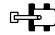
(1) 4.90 m (16' 1") adjust boom, 1.90 m (6' 3") arm equipped with 0.58 m³ (SAE heaped) bucket and 600 mm (24") triple grouser shoe and 2000 kg (4410 lb) counterweight.

-  : Rating over-front
-  : Rating over-side or 360 degree

Load point height		Load radius						At max. reach		
		3.0 m (10 ft)		4.5 m (15 ft)		6.0 m (20 ft)		Capacity		Reach
										m (ft)
6.0 m (20.0 ft)	kg lb			*2900 *6390	*2900 *6390			*2880 *6350	2010 4430	6.45 (21.2)
4.5 m (15.0 ft)	kg lb			*3280 *7230	*3280 *7230	*3150 *6940	2220 4890	2530 5580	1540 3400	7.33 (24.0)
3.0 m (10.0 ft)	kg lb	*6420 *14150	*6420 *14150	*4230 *9330	3440 7580	3470 7650	2130 4700	2240 4940	1340 2950	7.76 (25.5)
1.5 m (5.0 ft)	kg lb			5310 11710	3160 6970	3340 7360	2020 4450	2170 4780	1280 2820	7.84 (25.7)
Ground Line	kg lb	*5430 *11970	*5430 *11970	5110 11270	2980 6570	3240 7140	1930 4250	2270 5000	1340 2950	7.58 (24.9)
-1.5 m (-5.0 ft)	kg lb	*9210 *20300	5620 12390	5050 11130	2940 6480	3220 7100	1900 4190	2630 5800	1570 3460	6.93 (22.7)
-3.0 m (-10 ft)	kg lb	*8450 *18630	5780 12740	5130 11310	3000 6610					


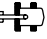
- Note
1. Lifting capacity are based on SAE J1097 and ISO 10567.
 2. Lifting capacity of the ROBEX series does not exceed 75% of tipping load with the machine on firm, level ground or 87% of full hydraulic capacity.
 3. The load point is a hook located on the back of the bucket.
 4. *indicates load limited by hydraulic capacity.


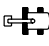

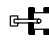





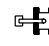
(2) 4.90 m (16' 1") adjust boom, 2.10 m (6' 11") arm equipped with 0.58 m³ (SAE heaped) bucket and 600 mm (24") triple grouser shoe and 2000 kg (4410 lb) counterweight.

Load point height		Load radius						At max. reach		
		3.0 m (10 ft)		4.5 m (15 ft)		6.0 m (20 ft)		Capacity		Reach
										m (ft)
6.0 m (20.0 ft)	kg lb			*2690 *5930	*2690 *5930			*2760 *6080	1900 4190	6.68 (21.9)
4.5 m (15.0 ft)	kg lb			*3080 *6790	*3080 *6790	*2990 *6590	2230 4920	2420 5340	1470 3240	7.52 (24.7)
3.0 m (10.0 ft)	kg lb	*5930 *13070	*5930 *13070	*4030 *8880	3460 7630	*3360 *7410	2140 4720	2150 4740	1280 2820	7.94 (26.0)
1.5 m (5.0 ft)	kg lb			*5140 *11330	3160 6970	3340 7360	2010 4430	2080 4590	1220 2690	8.02 (26.3)
Ground Line	kg lb	*5690 *12540	5540 12210	5090 11220	2960 6530	3230 7120	1910 4210	2170 4780	1270 2800	7.77 (25.5)
-1.5 m (-5.0 ft)	kg lb	*8930 *19690	5560 12260	5020 11070	2900 6390	3190 7030	1870 4120	2490 5490	1470 3240	7.14 (23.4)
-3.0 m (-10 ft)	kg lb	*8650 *19070	5690 12540	5070 11180	2950 6500					

3) R140LCD-9


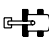

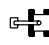





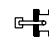
(1) 4.60 m (15' 1") boom, 1.9 m (6' 3") arm equipped with 0.58 m³ (SAE heaped) bucket and 600 mm (24") triple grouser shoe and 2000 kg (4410 lb) counterweight.

-  : Rating over-front
-  : Rating over-side or 360 degree

Load point height		Load radius								At max. reach		
		1.5 m (5 ft)		3.0 m (10 ft)		4.5 m (15 ft)		6.0 m (20 ft)		Capacity		Reach
												m (ft)
6.0 m (20.0 ft)	kg					*3340	*3340			*3170	2490	5.95
	lb					*7360	*7360			*6990	5490	(19.5)
4.5 m (15.0 ft)	kg					*3550	*3550			3070	1870	6.90
	lb					*7830	*7830			6770	4120	(22.6)
3.0 m (10.0 ft)	kg			*6270	*6270	*4440	3700	3780	2300	2710	1620	7.37
	lb			*13820	*13820	*9790	8160	8330	5070	5970	3570	(24.2)
1.5 m (5.0 ft)	kg			*8490	6380	*5520	3460	3680	2210	2610	1550	7.45
	lb			*18720	14070	*12170	7630	8110	4870	5750	3420	(24.4)
Ground Line	kg			*8230	6130	5650	3290	3590	2130	2750	1630	7.17
	lb			*18140	13510	12460	7250	7910	4700	6060	3590	(23.5)
-1.5 m (-5.0 ft)	kg	*6670	*6670	*9690	6140	5590	3240			3230	1930	6.48
	lb	*14700	*14700	*21360	13540	12320	7140			7120	4250	(21.3)
-3.0 m (-10 ft)	kg	*10970	*10970	*8330	6270	*5520	3300			*3690	2830	5.15
	lb	*24180	*24180	*18360	13820	*12170	7280			*8140	6240	(16.9)



- Note
1. Lifting capacity are based on SAE J1097 and ISO 10567.
 2. Lifting capacity of the ROBEX series does not exceed 75% of tipping load with the machine on firm, level ground or 87% of full hydraulic capacity.
 3. The load point is a hook located on the back of the bucket.
 4. *indicates load limited by hydraulic capacity.






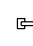

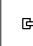

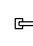
(2) 4.60 m (15' 1") boom, 2.50 m (8' 2") arm equipped with 0.58 m³ (SAE heaped) bucket and 600 mm (24") triple grouser shoe and 2000 kg (4410 lb) counterweight.

Load point height		Load radius								At max. reach		
		1.5 m (5 ft)		3.0 m (10 ft)		4.5 m (15 ft)		6.0 m (20 ft)		Capacity		Reach
												m (ft)
6.0 m (20.0 ft)	kg									*2810	2040	6.69
	lb									*6190	4500	(21.9)
4.5 m (15.0 ft)	kg							*2770	2410	2660	1600	7.53
	lb							*6110	5310	5860	3530	(24.7)
3.0 m (10.0 ft)	kg			*4930	*4930	*3830	3770	*3380	2320	2380	1400	7.95
	lb			*10870	*10870	*8440	8310	*7450	5110	5250	3090	(26.1)
1.5 m (5.0 ft)	kg			*8030	6580	*5010	3490	3680	2210	2300	1340	8.03
	lb			*17700	14510	*11050	7690	8110	4870	5070	2950	(26.3)
Ground Line	kg			*8780	6140	5640	3280	3570	2110	2400	1400	7.77
	lb			*19360	13540	12430	7230	7870	4650	5290	3090	(25.5)
-1.5 m (-5.0 ft)	kg	*5740	*5740	*9910	6040	5530	3180	3510	2060	2730	1610	7.15
	lb	*12650	*12650	*21850	13320	12190	7010	7740	4540	6020	3550	(23.5)
-3.0 m (-10 ft)	kg	*8760	*8760	*9040	6110	5550	3200			*3540	2170	6.01
	lb	*19310	*19310	*19930	13470	12240	7050			*7800	4780	(19.7)
-4.5 m (-15 ft)	kg			*6590	6370							
	lb			*14530	14040							

4) R140LCM-9






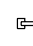

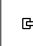

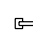
(1) 4.60 m (15' 1") boom, 1.90 m (6' 3") arm equipped with 0.58 m³ (SAE heaped) bucket and 800 mm (32") triple grouser shoe and 2000 kg (4410 lb) counterweight.

-  : Rating over-front
-  : Rating over-side or 360 degree

Load point height		Load radius								At max. reach		
		1.5 m (5 ft)		3.0 m (10 ft)		4.5 m (15 ft)		6.0 m (20 ft)		Capacity		Reach
												m (ft)
6.0 m (20.0 ft)	kg					*3310	*3310			*3180	2610	6.16
	lb					*7300	*7300			*7010	5750	(20.2)
4.5 m (15.0 ft)	kg					*3670	*3670	*2830	2640	3200	2050	7.01
	lb					*8090	*8090	*6240	5820	7050	4520	(23.0)
3.0 m (10.0 ft)	kg			*6820	*6820	*4620	4090	*3860	2580	2880	1820	7.41
	lb			*15040	*15040	*10190	9020	*8510	5690	6350	4010	(24.3)
1.5 m (5.0 ft)	kg			*7800	7120	*5680	3850	3930	2480	2820	1770	7.43
	lb			*17200	15700	*12520	8490	8660	5470	6220	3900	(24.4)
Ground Line	kg			*8700	6940	6050	3700	3850	2410	3020	1890	7.09
	lb			*19180	15300	13340	8160	8490	5310	6660	4170	(23.3)
-1.5 m (-5.0 ft)	kg	*7330	*7330	*9540	6960	6010	3670			3630	2290	6.31
	lb	*16160	*16160	*21030	15340	13250	8090			8000	5050	(20.7)
-3.0 m (-10 ft)	kg			*7950	7130	*5200	3760					
	lb			*17530	15720	*11460	8290					

- Note
1. Lifting capacity are based on SAE J1097 and ISO 10567.
 2. Lifting capacity of the ROBEX series does not exceed 75% of tipping load with the machine on firm, level ground or 87% of full hydraulic capacity.
 3. The load point is a hook located on the back of the bucket.
 4. *indicates load limited by hydraulic capacity.

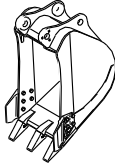
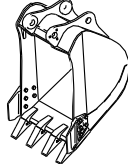
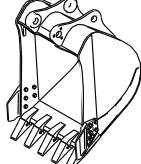
(2) 4.60 m (15' 1") boom, 2.50 m (8' 2") arm equipped with 0.58 m³ (SAE heaped) bucket and 800 mm (32") triple grouser shoe and 2000 kg (4410 lb) counterweight.

Load point height		Load radius								At max. reach		
		1.5 m (5 ft)		3.0 m (10 ft)		4.5 m (15 ft)		6.0 m (20 ft)		Capacity		Reach
												m (ft)
6.0 m (20.0 ft)	kg									*2830	2180	6.87
	lb									*6240	4810	(22.5)
4.5 m (15.0 ft)	kg					*3040	*3040	*2930	2690	2790	1770	7.63
	lb					*6700	*6700	*6460	5930	6150	3900	(25.0)
3.0 m (10.0 ft)	kg			*5460	*5460	*4030	*4030	*3470	2590	2540	1590	7.99
	lb			*12040	*12040	*8880	*8880	*7650	5710	5600	3510	(26.2)
1.5 m (5.0 ft)	kg			*8460	7290	*5200	3880	3930	2480	2490	1540	8.01
	lb			*18650	16070	*11460	8550	8660	5470	5490	3400	(26.3)
Ground Line	kg	*3600	*3600	*8880	6920	6030	3680	3820	2380	2630	1630	7.70
	lb	*7940	*7940	*19580	15260	13290	8110	8420	5250	5800	3590	(25.3)
-1.5 m (-5.0 ft)	kg	*6200	*6200	*9840	6850	5940	3600	3780	2340	3050	1900	7.00
	lb	*13670	*13670	*21690	15100	13100	7940	8330	5160	6720	4190	(23.0)
-3.0 m (-10 ft)	kg	*9390	*9390	*8770	6960	*5760	3640			*3520	2650	5.74
	lb	*20700	*20700	*19330	15340	*12700	8020			*7760	5840	(18.8)

6. BUCKET SELECTION GUIDE

1) R140LC-9, R140LCD-9

(1) General bucket

		
0.23 m ³ SAE heaped bucket	0.40, 0.46 m ³ SAE heaped bucket	0.52, ※ 0.58, 0.65, 0.71 m ³ SAE heaped bucket

Capacity		Width		Weight	Recommendation			
SAE heaped	CECE heaped	Without side cutter	With side cutter		4.6 m (15' 1") boom			
					1.9 m arm (6' 3")	2.1 m arm (6' 11")	2.5 m arm (8' 2")	3.0 m arm (9' 10")
0.23 m ³ (0.30 yd ³)	0.20 m ³ (0.26 yd ³)	520 mm (20.5")	620 mm (24.4")	335 kg (740 lb)				
0.40 m ³ (0.52 yd ³)	0.35 m ³ (0.46 yd ³)	750 mm (29.5")	850 mm (33.5")	410 kg (900 lb)				
0.46 m ³ (0.60 yd ³)	0.40 m ³ (0.52 yd ³)	840 mm (33.1")	940 mm (37.0")	435 kg (960 lb)				
0.52 m ³ (0.68 yd ³)	0.45 m ³ (0.59 yd ³)	915 mm (36.0")	1015 mm (40.0")	460 kg (1010 lb)				
※ 0.58 m ³ (0.76 yd ³)	0.50 m ³ (0.65 yd ³)	1000 mm (39.4")	1100 mm (43.3")	480 kg (1060 lb)				
0.65 m ³ (0.85 yd ³)	0.55 m ³ (0.72 yd ³)	1105 mm (43.5")	1205 mm (47.4")	500 kg (1100 lb)				
0.71 m ³ (0.93 yd ³)	0.60 m ³ (0.78 yd ³)	1190 mm (46.9")	1290 mm (50.8")	540 kg (1190 lb)				

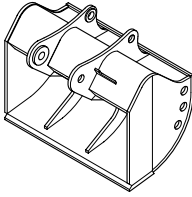
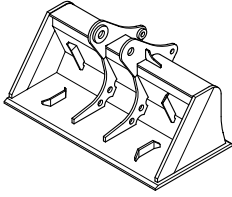
※ : Standard bucket

Applicable for materials with density of 2000 kg/m³ (3370 lb/yd³) or less

Applicable for materials with density of 1600 kg/m³ (2700 lb/yd³) or less

Applicable for materials with density of 1100 kg/m³ (1850 lb/yd³) or less

(2) Special bucket

<p>Ditch cleaning bucket</p> 	<p>Slope finishing bucket</p> 
<p>★0.45 m³ SAE heaped bucket</p>	<p>⊙0.55 m³ SAE heaped bucket</p>

Capacity		Width		Weight	Recommendation			
					4.6 m (15' 1") boom			
SAE heaped	CECE heaped	Without side cutter	With side cutter		1.9 m arm (6' 3")	2.1 m arm (6' 11")	2.5 m arm (8' 2")	3.0 m arm (9' 10")
★0.45 m ³ (0.59 yd ³)	0.40 m ³ (0.52 yd ³)	1520 mm (59.8")	-	410 kg (900 lb)				-
⊙0.55 m ³ (0.72 yd ³)	0.45 m ³ (0.59 yd ³)	1800 mm (70.9")	-	585 kg (1290 lb)				-

★ : Ditch cleaning bucket

⊙ : Slope finishing bucket

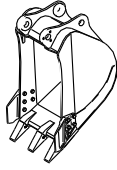
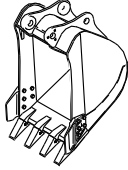
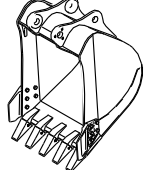
Applicable for materials with density of 2000 kgf/m³ (3370 lbf/yd³) or less

Applicable for materials with density of 1600 kgf/m³ (2700 lbf/yd³) or less

Applicable for materials with density of 1100 kgf/m³ (1850 lbf/yd³) or less

2) R140LC-9, ADJUST BOOM

(1) General bucket

		
0.23 m ³ SAE heaped bucket	0.40, 0.46 m ³ SAE heaped bucket	0.52, ※ 0.58, 0.65, 0.71 m ³ SAE heaped bucket

Capacity		Width		Weight	Recommendation		
					4.9 m (16' 1") boom		
SAE heaped	CECE heaped	Without side cutter	With side cutter		1.9 m arm (6' 3")	2.1 m arm (6' 11")	2.5 m arm (8' 2")
0.23 m ³ (0.30 yd ³)	0.20 m ³ (0.26 yd ³)	520 mm (20.5")	620 mm (24.4")	335 kg (740 lb)			
0.40 m ³ (0.52 yd ³)	0.35 m ³ (0.46 yd ³)	760 mm (29.9")	860 mm (33.9")	410 kg (900 lb)			
0.46 m ³ (0.60 yd ³)	0.40 m ³ (0.52 yd ³)	850 mm (33.5")	950 mm (37.4")	435 kg (960 lb)			
0.52 m ³ (0.68 yd ³)	0.45 m ³ (0.59 yd ³)	935 mm (36.8")	1035 mm (40.7")	460 kg (1010 lb)			
※ 0.58 m ³ (0.76 yd ³)	0.50 m ³ (0.65 yd ³)	1030 mm (40.6")	1130 mm (44.5")	480 kg (1060 lb)			
0.65 m ³ (0.85 yd ³)	0.55 m ³ (0.72 yd ³)	1110 mm (43.7")	1210 mm (47.6")	500 kg (1100 lb)			
0.71 m ³ (0.93 yd ³)	0.60 m ³ (0.78 yd ³)	1205 mm (47.4")	1305 mm (51.4")	540 kg (1190 lb)			

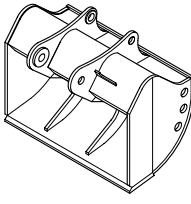
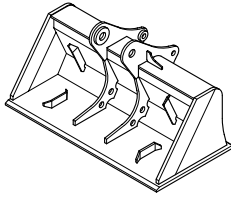
※ : Standard bucket

Applicable for materials with density of 2000 kg/m³ (3370 lb/yd³) or less

Applicable for materials with density of 1600 kg/m³ (2700 lb/yd³) or less

Applicable for materials with density of 1100 kg/m³ (1850 lb/yd³) or less

(2) Special bucket

<p>Ditch cleaning bucket</p> 	<p>Slope finishing bucket</p> 
<p>★0.45 m³ SAE heaped bucket</p>	<p>⊙0.55 m³ SAE heaped bucket</p>

Capacity		Width		Weight	Recommendation		
SAE heaped	CECE heaped	Without side cutter	With side cutter		4.9 m (16' 1") boom		
					1.9 m arm (6' 3")	2.1 m arm (6' 11")	2.5 m arm (8' 2")
★0.45 m ³ (0.59 yd ³)	0.40 m ³ (0.52 yd ³)	1520 mm (59.8")	-	410 kg (900 lb)			
⊙0.55 m ³ (0.72 yd ³)	0.45 m ³ (0.59 yd ³)	1800 mm (70.9")	-	585 kg (1290 lb)			

★ : Ditch cleaning bucket

⊙ : Slope finishing bucket

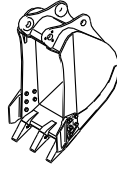
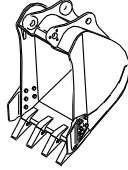
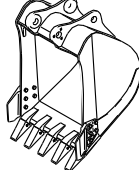
Applicable for materials with density of 2000 kgf/m³ (3370 lbf/yd³) or less

Applicable for materials with density of 1600 kgf/m³ (2700 lbf/yd³) or less

Applicable for materials with density of 1100 kgf/m³ (1850 lbf/yd³) or less

3) R140LCM-9

(1) General bucket

		
0.23 m ³ SAE heaped bucket	0.40, 0.46 m ³ SAE heaped bucket	0.52, ※ 0.58, 0.65, 0.71 m ³ SAE heaped bucket

Capacity		Width		Weight	Recommendation			
					4.6 m (15' 1") boom			
SAE heaped	CECE heaped	Without side cutter	With side cutter		1.9 m arm (6' 3")	2.1 m arm (6' 11")	2.5 m arm (8' 2")	3.0 m arm (9' 10")
0.23 m ³ (0.30 yd ³)	0.20 m ³ (0.26 yd ³)	520 mm (20.5")	620 mm (24.4")	335 kg (740 lb)				
0.40 m ³ (0.52 yd ³)	0.35 m ³ (0.46 yd ³)	760 mm (29.9")	860 mm (33.9")	410 kg (900 lb)				
0.46 m ³ (0.60 yd ³)	0.40 m ³ (0.52 yd ³)	850 mm (33.5")	950 mm (37.4")	435 kg (960 lb)				
0.52 m ³ (0.68 yd ³)	0.45 m ³ (0.59 yd ³)	935 mm (36.8")	1035 mm (40.7")	460 kg (1010 lb)				
※ 0.58 m ³ (0.76 yd ³)	0.50 m ³ (0.65 yd ³)	1030 mm (40.6")	1130 mm (44.5")	480 kg (1060 lb)				
0.65 m ³ (0.85 yd ³)	0.55 m ³ (0.72 yd ³)	1110 mm (43.7")	1210 mm (47.6")	500 kg (1100 lb)				
0.71 m ³ (0.93 yd ³)	0.60 m ³ (0.78 yd ³)	1205 mm (47.4")	1305 mm (51.4")	540 kg (1190 lb)				

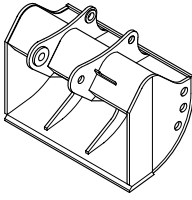
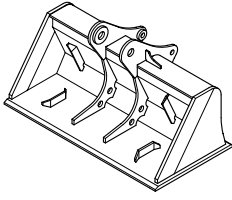
※ : Standard bucket

Applicable for materials with density of 2000 kg/m³ (3370 lb/yd³) or less

Applicable for materials with density of 1600 kg/m³ (2700 lb/yd³) or less

Applicable for materials with density of 1100 kg/m³ (1850 lb/yd³) or less

(2) Special bucket

<p>Ditch cleaning bucket</p> 	<p>Slope finishing bucket</p> 
<p>★0.45 m³ SAE heaped bucket</p>	<p>⊙0.55 m³ SAE heaped bucket</p>

Capacity		Width		Weight	Recommendation		
					4.9 m (16' 1") boom		
SAE heaped	CECE heaped	Without side cutter	With side cutter		1.9 m arm (6' 3")	2.1 m arm (6' 11")	2.5 m arm (8' 2")
★0.45 m ³ (0.59 yd ³)	0.40 m ³ (0.52 yd ³)	1520 mm (59.8")	-	410 kg (900 lb)			
⊙0.55 m ³ (0.72 yd ³)	0.45 m ³ (0.59 yd ³)	1800 mm (70.9")	-	585 kg (1290 lb)			

★ : Ditch cleaning bucket

⊙ : Slope finishing bucket

Applicable for materials with density of 2000 kgf/m³ (3370 lbf/yd³) or less

Applicable for materials with density of 1600 kgf/m³ (2700 lbf/yd³) or less

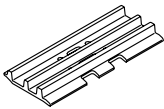
Applicable for materials with density of 1100 kgf/m³ (1850 lbf/yd³) or less

7. UNDERCARRIAGE

1) TRACKS

X-leg type center frame is integrally welded with reinforced box-section track frames. The design includes dry tracks, lubricated rollers, idlers, sprockets, hydraulic track adjusters with shock absorbing springs and assembled track-type tractor shoes with triple grousers.

2) TYPES OF SHOES

Model	Shapes		Triple grouser		
					
R140LC-9	Shoe width	mm (in)	500 (20)	※ 600 (24)	700 (28)
	Operating weight	kg (lb)	13790 (30400)	13980 (30860)	14210 (31330)
	Ground pressure	kgf/cm ² (psi)	0.43 (6.11)	0.36 (5.12)	0.31 (4.41)
	Overall width	mm (ft-in)	2500 (8' 2")	2600 (8' 6")	2700 (8' 10")
R140LCD-9	Shoe width	mm (in)	500 (20)	※ 600 (24)	700 (28)
	Operating weight	kg (lb)	14590 (32160)	14800 (32630)	15030
	Ground pressure	kgf/cm ² (psi)	0.45 (6.40)	0.38 (5.40)	0.33 (4.70)
	Overall width	mm (ft-in)	2500 (8' 2")	2600 (8' 6")	2700 (8' 10")
R140LCM-9	Shoe width	mm (in)	710 (28)	※ 800 (32)	-
	Operating weight	kg (lb)	16880 (37210)	16880 (37210)	-
	Ground pressure	kgf/cm ² (psi)	0.32 (4.55)	0.32 (4.55)	-
	Overall width	mm (ft-in)	2820 (9' 3")	2910 (9' 7")	-

※ : Standard

3) NUMBER OF ROLLERS AND SHOES ON EACH SIDE

Item	Quantity	
	R140LC/LCD-9	R140LCM-9
Carrier rollers	1 EA	2 EA
Track rollers	7 EA	7 EA
Track shoes	46 EA	47 EA

4) SELECTION OF TRACK SHOE

Suitable track shoes should be selected according to operating conditions.

Method of selecting shoes

Confirm the category from the list of applications in **table 2**, then use **table 1** to select the shoe. Wide shoes (Categories B and C) have limitations on applications. Before using wide shoes, check the precautions, then investigate and study the operating conditions to confirm if these shoes are suitable.

Select the narrowest shoe possible to meet the required flotation and ground pressure. Application of wider shoes than recommendations will cause unexpected problem such as bending of shoes, crack of link, breakage of pin, loosening of shoe bolts and the other various problems.

※ **Table 1**

Track shoe	Specification	Category
600 mm triple grouser	Standard	A
500 mm triple grouser	Option	A
700 mm triple grouser	Option	B
710 mm triple grouser	R140LC-9 only	B
800 mm triple grouser	R140LCM-9 only	B

※ **Table 2**

Category	Applications	Applications
A	Rocky ground, river beds, normal soil	<ul style="list-style-type: none"> Travel at low speed on rough ground with large obstacles such as boulders or fallen trees
B	Normal soil, soft ground	<ul style="list-style-type: none"> These shoes cannot be used on rough ground with large obstacles such as boulders or fallen trees Travel at high speed only on flat ground Travel slowly at low speed if it is impossible to avoid going over obstacles

8. SPECIFICATIONS FOR MAJOR COMPONENTS

1) ENGINE

Item	Specification
Model	Mitsubishi D04FD-TAA
Type	4-cycle turbocharged charge air cooled diesel engine
Cooling method	Water cooling
Number of cylinders and arrangement	4 cylinders, in-line
Firing order	1-3-4-2
Combustion chamber type	Direct injection type
Cylinder bore × stroke	102 × 130 mm
Piston displacement	4250cc (260cu in)
Compression ratio	16.5 : 1
Rated gross horse power (SAE J1995)	119 Hp (89 kW) at 2000 rpm
Maximum torque	45.4 kgf · m (328 lbf · ft) at 1700 rpm
Engine oil quantity	17.5 l (4.6 U.S. gal)
Dry weight	420 kg (930 lb)
High idling speed	2100 ± 50 rpm
Low idling speed	850 ± 100 rpm
Rated fuel consumption	165 g/Hp · hr at 2000 rpm
Starting motor	24 V-5.0 kW
Alternator	24 V-50 A
Battery	2 × 12 V × 80 Ah

2) MAIN PUMP

Item	Specification
Type	Variable displacement tandem axis piston pumps
Capacity	2 × 65 cc/rev
Maximum pressure	350 kgf/cm ² (4980 psi) [380 kgf/cm ² (5400 psi)]
Rated oil flow	2 × 123.5 l /min (32.6 U.S. gpm / 27.2 U.K. gpm)
Rated speed	2000 rpm

[]: Power boost

3) GEAR PUMP

Item	Specification
Type	Fixed displacement gear pump single stage
Capacity	15cc/rev
Maximum pressure	40 kgf/cm ² (570 psi)
Rated oil flow	28.5 l /min (7.5 U.S. gpm / 6.3 U.K. gpm)

4) MAIN CONTROL VALVE

Item	Specification
Type	11 spools
Operating method	Hydraulic pilot system
Main relief valve pressure	350 kgf/cm ² (4980 psi) [380 kgf/cm ² (5400 psi)]
Overload relief valve pressure	400 kgf/cm ² (5690 psi)

[]: Power boost

5) SWING MOTOR

Item	Specification
Type	Fixed displacement axial piston motor
Capacity	72 cc/rev
Relief pressure	285 kgf/cm ² (4053 psi)
Braking system	Automatic, spring applied hydraulic released
Braking torque	25 kgf · m (181 lbf · ft)
Brake release pressure	15~50 kgf/cm ² (213~711 psi)
Reduction gear type	2 - stage planetary

6) TRAVEL MOTOR

Item	Specification
Type	Variable displacement axial piston motor
Relief pressure	365 kgf/cm ² (5190 psi)
Capacity (max / min)	86/45 cc/rev
Reduction gear type	2-stage planetary
Braking system	Automatic, spring applied hydraulic released
Brake release pressure	9.5 kgf/cm ² (135 psi)
Braking torque	40.6 kgf · m (294 lbf · ft)

7) CYLINDER

Item		Specification
Boom cylinder	Bore dia × Rod dia × Stroke	∅ 105 × ∅ 75 × 1075 mm
	Cushion	Extend only
Arm cylinder	Bore dia × Rod dia × Stroke	∅ 115 × ∅ 80 × 1138 mm
	Cushion	Extend and retract
Bucket cylinder	Bore dia × Rod dia × Stroke	∅ 100 × ∅ 70 × 840 mm
	Cushion	Extend only
Dozer cylinder (option)	Bore dia × Rod dia × Stroke	∅ 100 × ∅ 65 × 236 mm
	Cushion	-

※ Discoloration of cylinder rod can occur when the friction reduction additive of lubrication oil spreads on the rod surface.

※ Discoloration does not cause any harmful effect on the cylinder performance.

8) SHOE

Item		Width	Ground pressure	Link quantity	Overall width
R140LC-9	Standard	600 mm (24")	0.36 kgf/cm ² (5.12 psi)	46	2600 mm (8' 6")
	Option	500 mm (20")	0.43 kgf/cm ² (6.11 psi)	46	2500 mm (8' 2")
		700 mm (28")	0.31 kgf/cm ² (4.41 psi)	46	2700 mm (8' 10")
R140LCD-9	Standard	600 mm (24")	0.38 kgf/cm ² (5.40 psi)	46	2600 mm (8' 6")
	Option	500 mm (20")	0.45 kgf/cm ² (6.40 psi)	46	2500 mm (8' 2")
		700 mm (28")	0.33 kgf/cm ² (4.70 psi)	46	2700 mm (8' 10")
R140LCM-9	Standard	800 mm (32")	0.32 kgf/cm ² (4.55 psi)	47	2910 mm (9' 7")
	Option	710mm (28")	0.32 kgf/cm ² (4.55 psi)	46	2820 mm (9' 3")

9) BUCKET

Item		Capacity		Tooth quantity	Width	
		SAE heaped	CECE heaped		Without side cutter	With side cutter
R140LC-9	Standard	※ 0.58 m ³ (0.76 yd ³)	0.50 m ³ (0.65 yd ³)	5	1000 mm (39.4")	1100 mm (43.3")
	Option	0.23 m ³ (0.30 yd ³)	0.20 m ³ (0.26 yd ³)	3	520 mm (20.5")	620 mm (24.4")
		0.40 m ³ (0.52 yd ³)	0.35 m ³ (0.46 yd ³)	4	750 mm (29.5")	850 mm (33.5")
		0.46 m ³ (0.60 yd ³)	0.40 m ³ (0.52 yd ³)	4	840 mm (33.1")	940 mm (37.0")
		0.52 m ³ (0.68 yd ³)	0.45 m ³ (0.59 yd ³)	5	915 mm (36.0")	1015 mm (40.0")
		0.65 m ³ (0.85 yd ³)	0.55 m ³ (0.72 yd ³)	5	1105 mm (43.5")	1205 mm (47.4")
		0.71 m ³ (0.93 yd ³)	0.60 m ³ (0.78 yd ³)	5	1190 mm (46.9")	1290 mm (50.8")
		★ 0.45 m ³ (0.59 yd ³)	0.40 m ³ (0.52 yd ³)	-	1520 mm (59.8")	-
		◎ 0.55 m ³ (0.72 yd ³)	0.45 m ³ (0.59 yd ³)	-	1800 mm (70.9")	-

★ : Ditch cleaning bucket

◎ : Slope finishing bucket

9. RECOMMENDED OILS

Use only oils listed below or equivalent.

Do not mix different brand oil.

Service point	Kind of fluid	Capacity l (U.S. gal)	Ambient temperature °C (°F)								
			-20 (-4)	-10 (14)	0 (32)	10 (50)	20 (68)	30 (86)	40 (104)		
Engine oil pan	Engine oil	17.5 (4.6)				SAE 30					
			SAE 10W								
			SAE 10W-30								
						SAE 15W-40					
Swing drive	Grease	0.35 (0.09)	NLGI NO.1								
			NLGI NO.2								
Swing drive	Gear oil	2.5 (0.7)	SAE 85W-140								
Final drive		3.0 × 2 (0.8 × 2)									
Hydraulic tank	Hydraulic oil	Tank: 124 (32.8) System: 210 (55.5)	ISO VG 32								
			ISO VG 46								
			ISO VG 68								
Fuel tank	Diesel fuel	270 (71.0)	ASTM D975 NO.1								
			ASTM D975 NO.2								
Fitting (Grease nipple)	Grease	As required	NLGI NO.1								
			NLGI NO.2								
Radiator (Reservoir tank)	Mixture of antifreeze and water 50 : 50	15.5 (4.1)	Ethylene glycol base permanent type								

SAE : Society of Automotive Engineers

API : American Petroleum Institute

ISO : International Organization for Standardization

NLGI : National Lubricating Grease Institute

ASTM : American Society of Testing and Material