

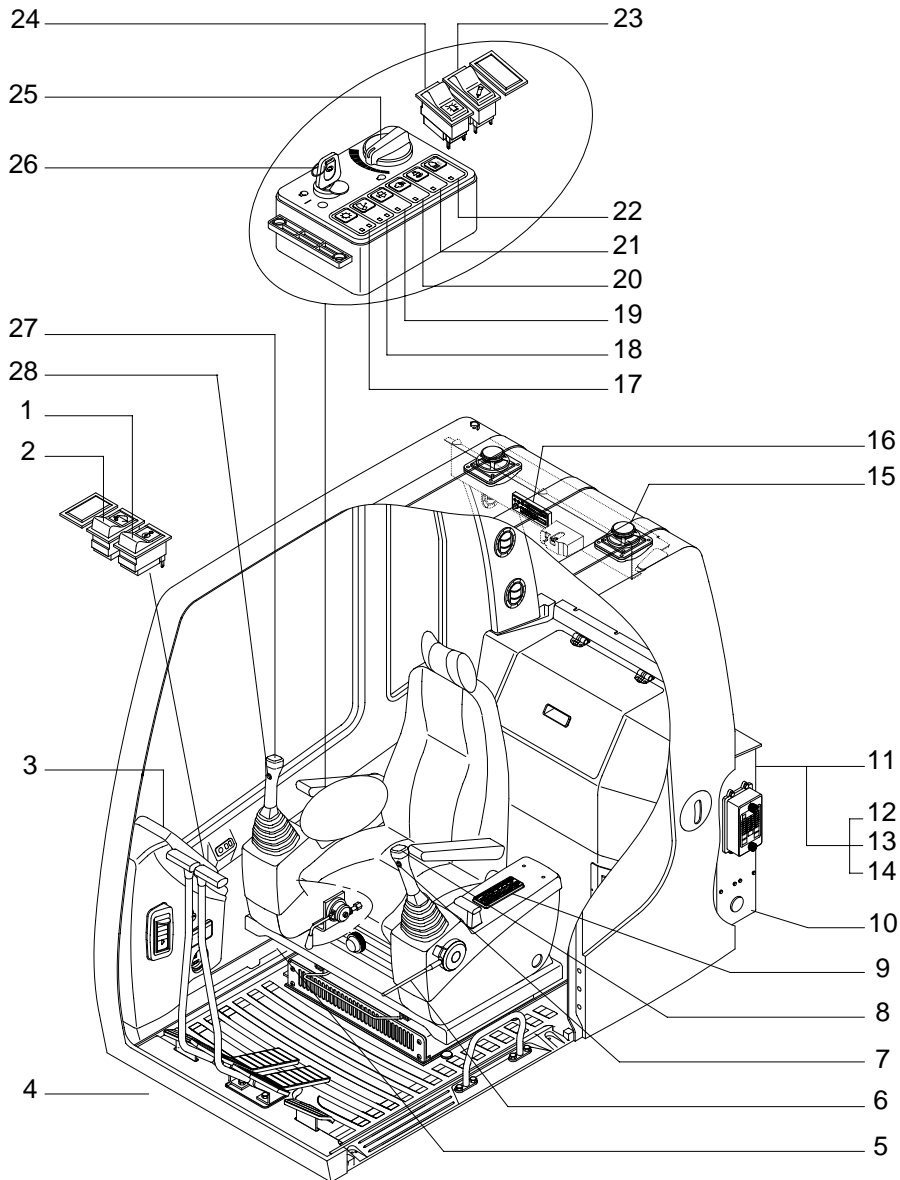
SECTION 4 ELECTRICAL SYSTEM

Group 1 Component Location	4-1
Group 2 Electrical Circuit	4-3
Group 3 Electrical Component Specification	4-23
Group 4 Connectors	4-32

SECTION 4 ELECTRICAL SYSTEM

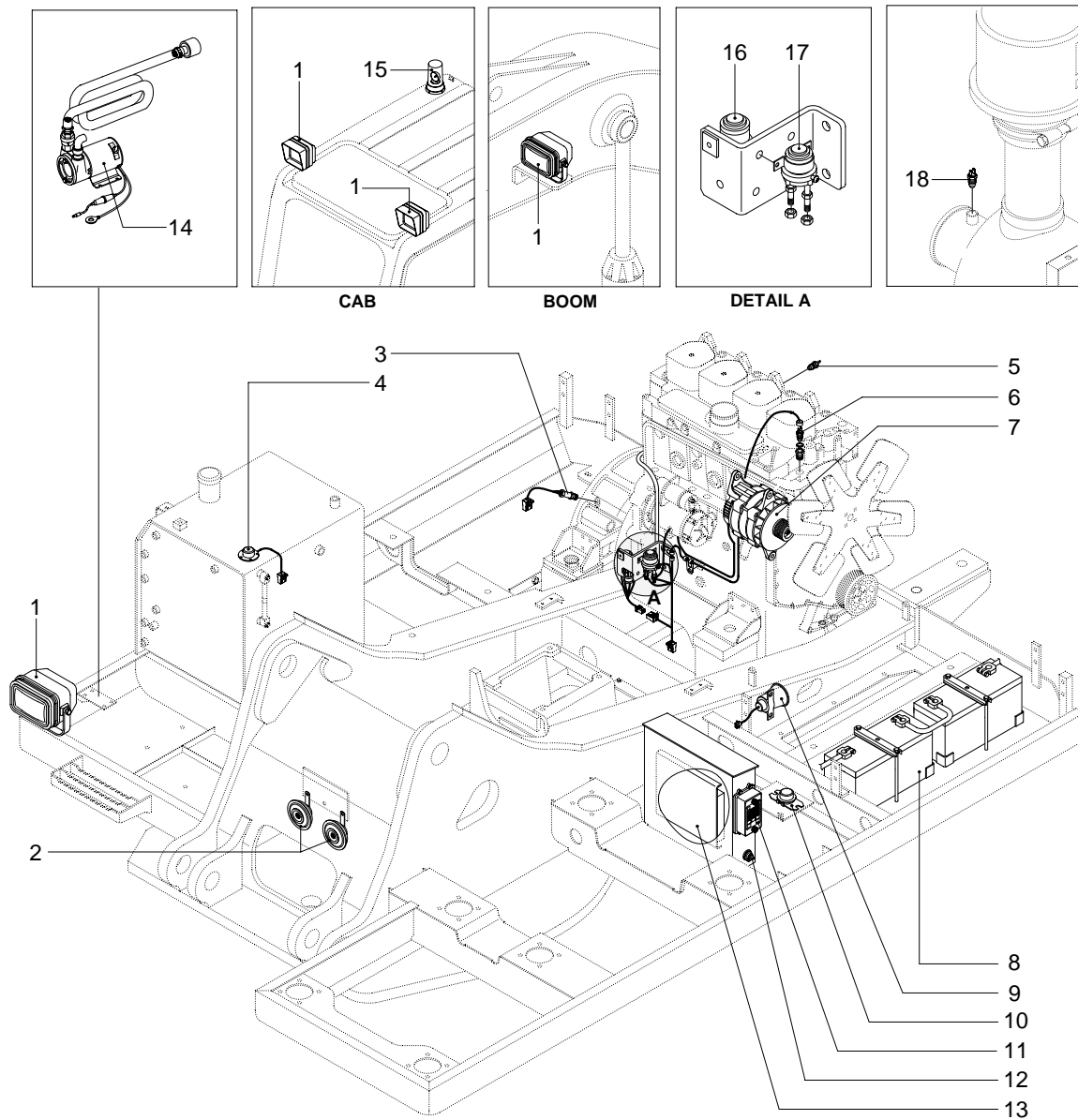
GROUP 1 COMPONENT LOCATION

1. LOCATION 1



- | | | | | | |
|---|-------------------------------------|----|-------------------|----|--------------------------|
| 1 | Overload switch | 10 | Master switch | 20 | Preheat switch |
| 2 | Quick coupling switch | 11 | Electric box | 21 | Travel alarm stop switch |
| 3 | Cluster | 12 | CPU controller | 22 | Cab light switch |
| 4 | Hour meter | 13 | Prolix resistor | 23 | Breaker selection switch |
| 5 | Emergency engine acceleration lever | 14 | Fuse box | 24 | Beacon switch |
| 6 | Safety lever | 15 | Speaker | 25 | Accel dial |
| 7 | Power max switch | 16 | Cassette radio | 26 | Start switch |
| 8 | One touch decel switch | 17 | Main light switch | 27 | Horn switch |
| 9 | Air-con switch | 18 | Wiper switch | 28 | Breaker operation switch |
| | | 19 | Washer switch | | |

2. LOCATION 2



- | | | | | | |
|---|----------------------------|----|---------------------|----|--------------------|
| 1 | Lamp | 7 | Alternator | 13 | CPU Controller |
| 2 | Horn | 8 | Battery | 14 | Fuel filler pump |
| 3 | Speed sensor | 9 | Travel alarm buzzer | 15 | Beacon lamp |
| 4 | Fuel sender | 10 | Battery relay | 16 | Start relay |
| 5 | Engine oil pressure switch | 11 | Fuse box | 17 | Heater relay |
| 6 | Temp sender | 12 | Master switch | 18 | Air cleaner switch |