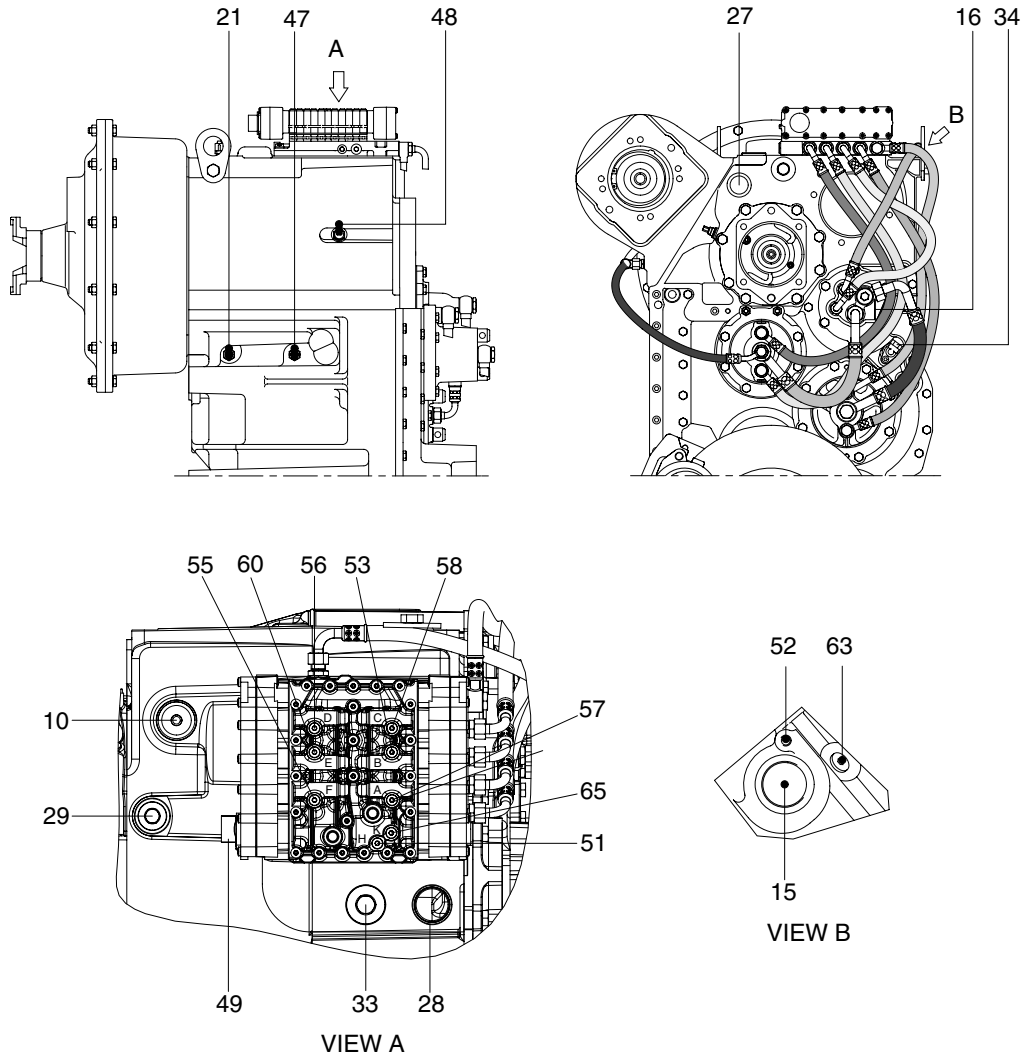


## GROUP 3 TESTS AND ADJUSTMENTS

### 1. TRANSMISSION MEASURING POINTS AND CONNECTIONS

The measurements have to be carried out at hot transmission (about 80-95°C).



78093PT17

#### 1) OIL PRESSURE AND TEMPERATURE

Port	Description		Size
51	In front of the converter-opening pressure (11bar)	H	M10 × 1.0
52	Behind the converter-opening pressure (5bar)		M14 × 1.5
53	Forward clutch (16+2bar)	KV B	M10 × 1.0
55	Reverse clutch (16+2bar)	KR F	M10 × 1.0
56	1st clutch (16+2bar)	K1 D	M10 × 1.0
57	2nd clutch (16+2bar)	K2 A	M10 × 1.0
58	3rd clutch (16+2bar)	K3 C	M10 × 1.0
60	4th clutch (16+2bar)	K4 E	M10 × 1.0
63	Behind the converter temperature 100°C, short-time 120°C		M14 × 1.5
65	System pressure (16+2bar)	K	M10 × 1.0

## 2) DELIVERY RATES

Port	Description	Size
10	Breather	M10×1.0
15	Connection to the oil cooler	-
16	Connection from the oil cooler	-
27	Connection to the filter	M42×2.0
28	Connection from the filter	M42×2.0
29	Connection from the filter bypass	M42×2.0
33	Connection oil filler plug	M42×2.0
49	Plug connection on the electro-hydraulic control unit	-

## 3) INDUCTIVE TRANSMITTER AND SPEED SENSOR

Port	Description	Size
21	Inductive transmitter n Turbine	M18×1.5
34	Speed sensor n Output and speedometer	-
47	Inductive transmitter n Central gear train	M18×1.5
48	Inductive transmitter n Engine	M18×1.5