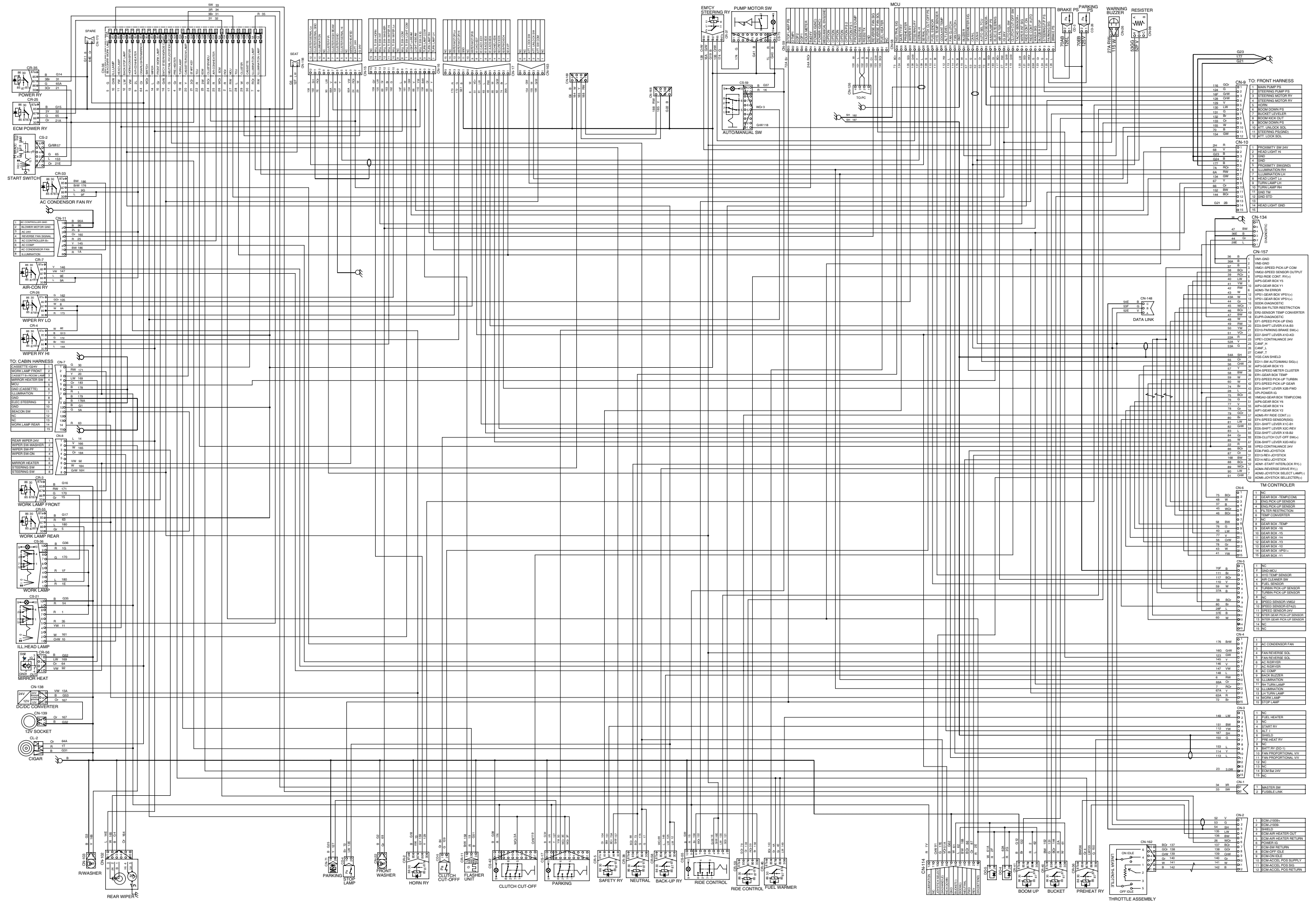
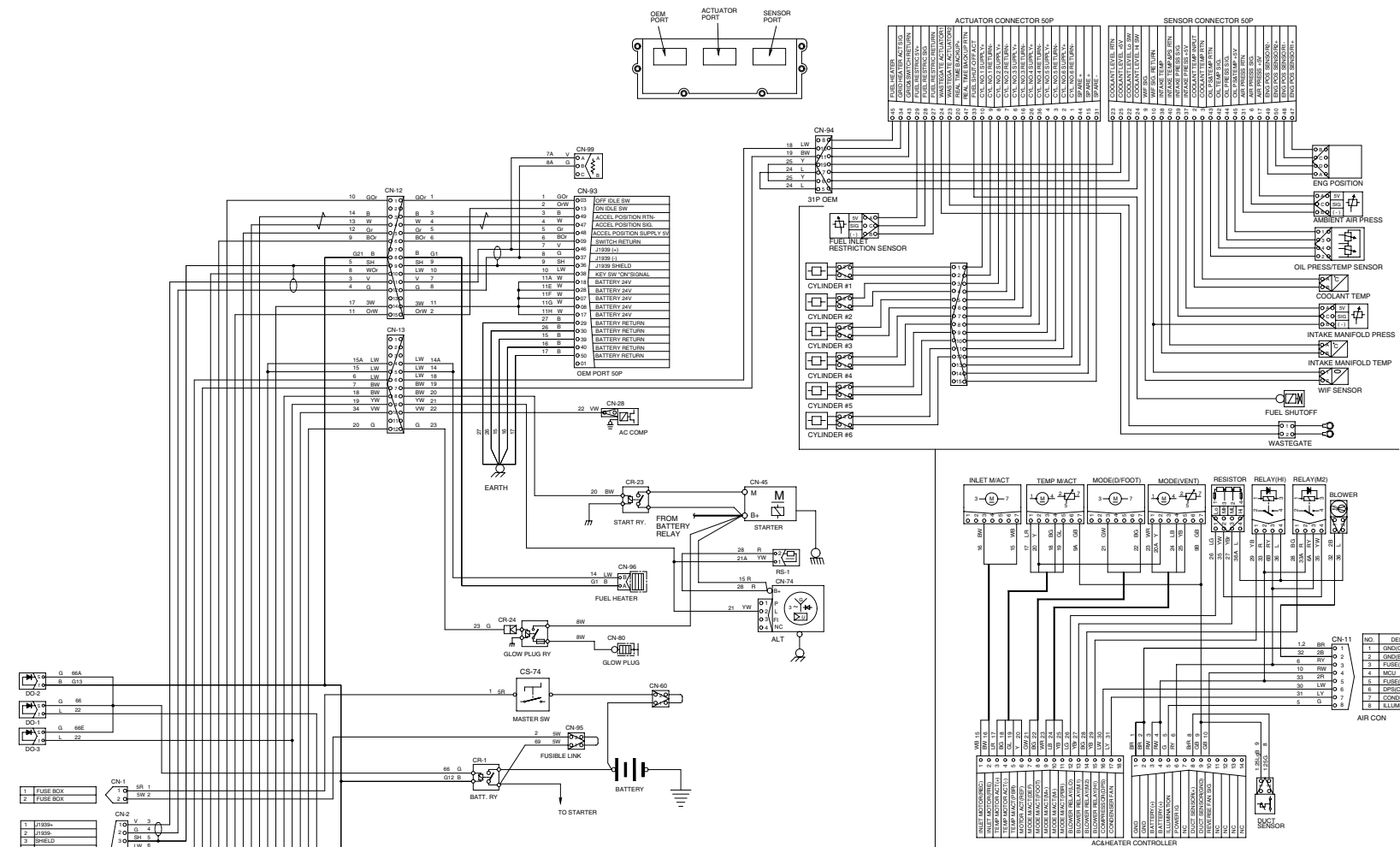
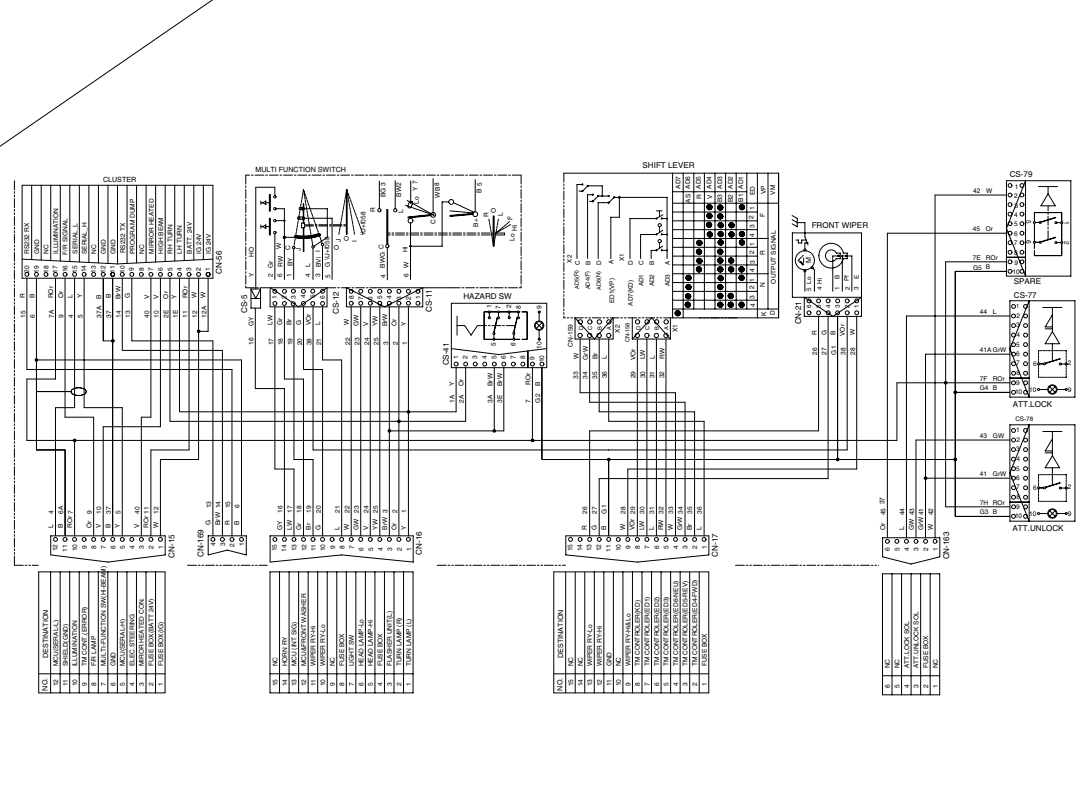
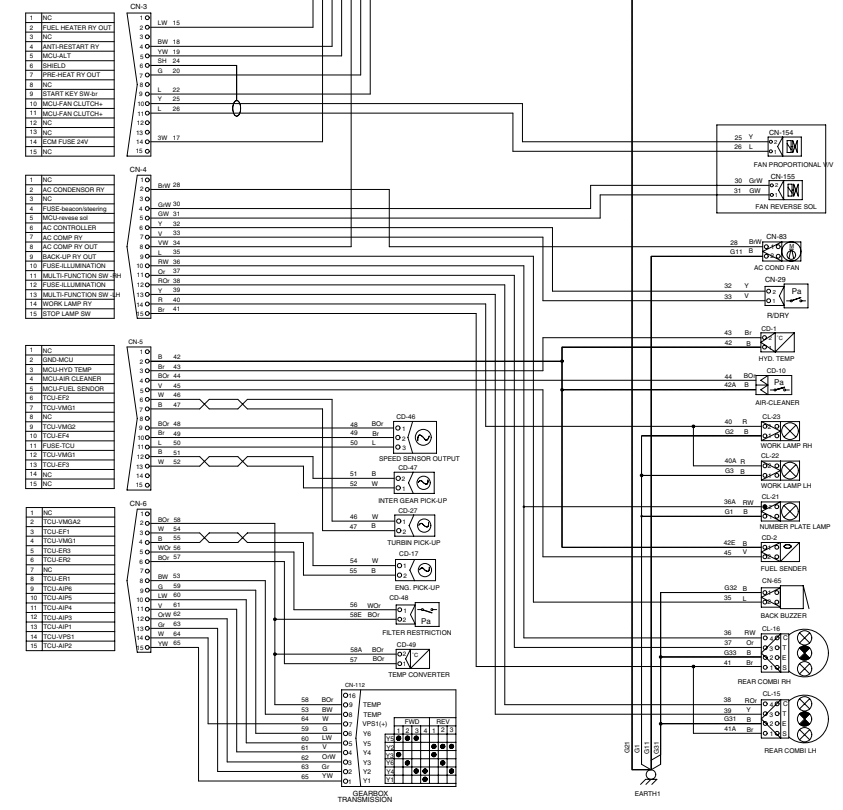
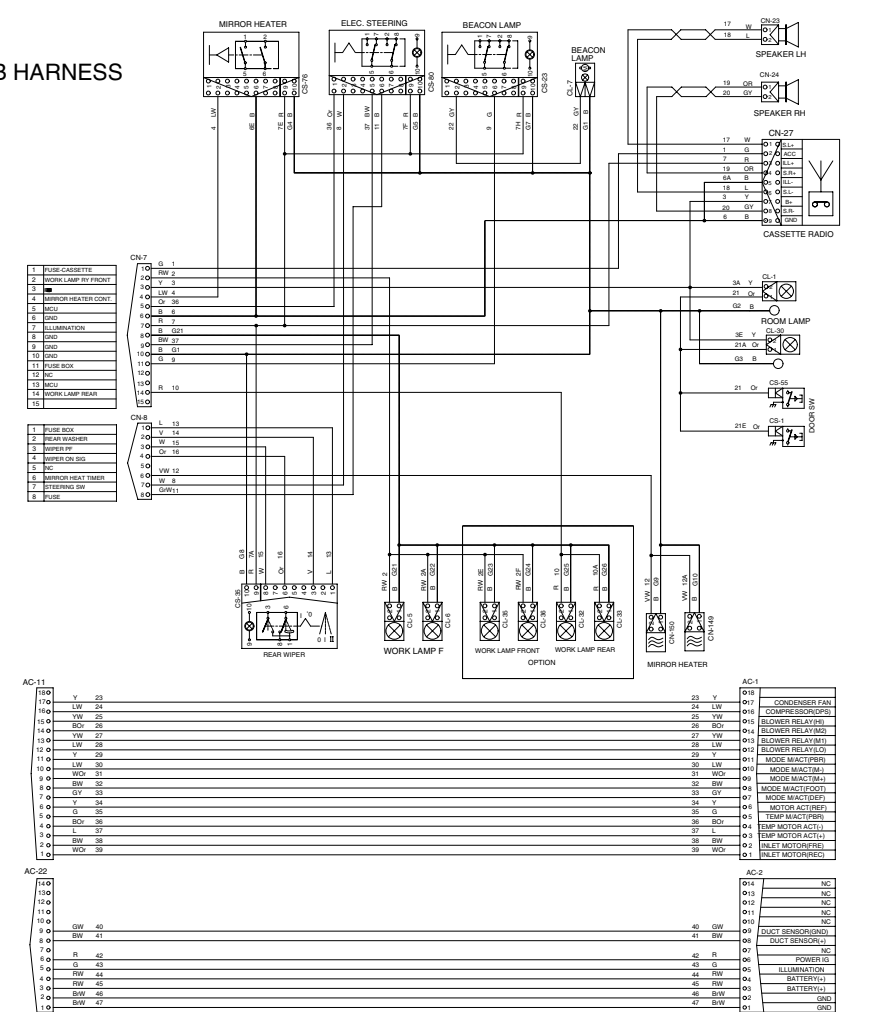


GROUP 2 ELECTRICAL CIRCUIT





CAB HARNESS



FRONT HARNESS

