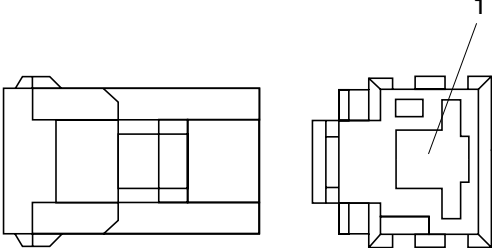
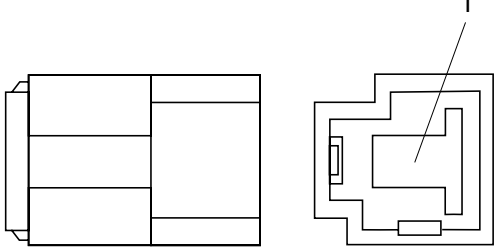
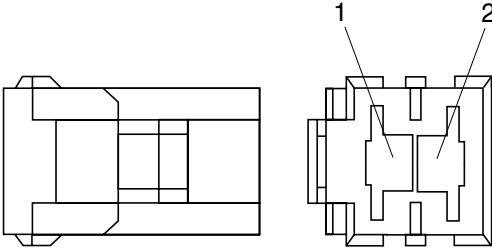
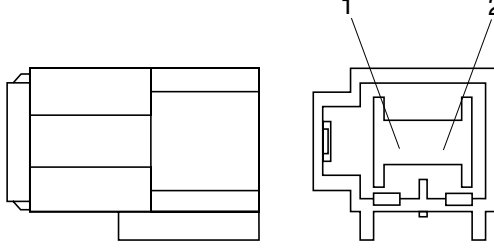


Connector number	Type	No. of pin	Destination	Connector part No.	
				Female	Male
CN-83	MWP	2	Aircon fan	PH805-02028	-
CN-98	SWP	4	(Frame harness-Main harness)	S814-004000	S814-104000
CN-100	J	3	Boom kick out	S816-003001	-
CN-101	J	3	Bucket leveler	S816-003001	-
CN-102	HW090 sealed	6	Rear wiper motor	6189-01330	-
CN-103	SWP	2	Rear washer tank	S814-002000	-
CN-104	Ring term	1	Volt meter	-	S824-025213
CN-107	Ring term	1	Fuel gauge	-	S824-025213
CN-114	250	8	Joy stick	S810-008202	-
CN-117	Ring term	1	Water temp	-	S824-025213
CN-119	Ring term	1	Transmission temp	-	S824-025213
CN-127	-	8	Speed meter	1630070	-
CN-135	Mate-N-Lok	3	Diagnostic	-	6029-199-030
CN-136	-	2	Ride control valve	827551-2	-
CN-137	J	2	Ride control solenoid	S816-002001	-
CN-144	J	6	Pedal	S816-006002	-
CN-155	SWP	6	Work/combi lamp, RH	S814-006000	-
CN-156	SWP	6	Work/combi lamp, LH	S814-006000	-
Relay					
CR-1	Ring term	-	Battery relay	S820-104000	-
CR-2	250	4	Horn relay	S810-004202	-
CR-3	250	4	Front work lamp relay	S810-004202	-
CR-4	250	6	Wiper relay	S810-006202	-
CR-5	250	2	Safety relay	S810-006202	-
CR-6	250	4	Rear work lamp relay	S810-004202	-
CR-11	250	3	Flasher unit	S810-003702	-
CR-23	J	2	Start relay	S816-002003	-
CR-24	Ring term	-	Preheater relay	S820-306001	-
CR-30	250	4	Ride control relay	S810-004202	-
CR-35	250	6	Ride control relay	S810-006202	-
CR-42	250	4	Preheater relay	S810-004202	-
CR-46	250	4	Fuel warmer relay	S810-004202	-
Switch					
CS-2	SWP	6	Start key switch	S814-006000	-
CS-3	SWF	10	Rear wiper switch	593757	-
CS-5	Shur	1	Horn switch	S822-014000	-
CS-11	SWP	8	Multi function switch	S814-008000	-

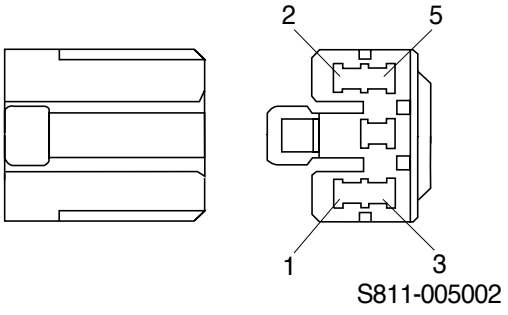
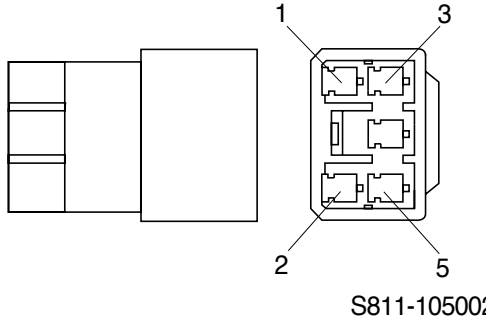
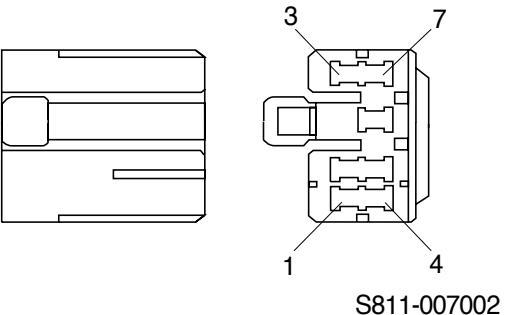
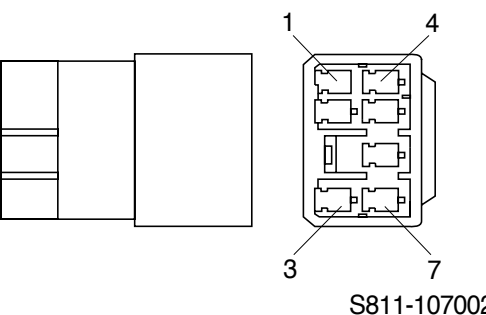
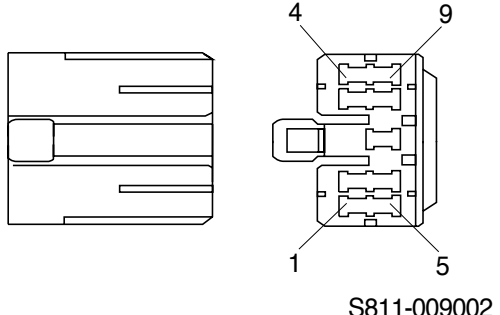
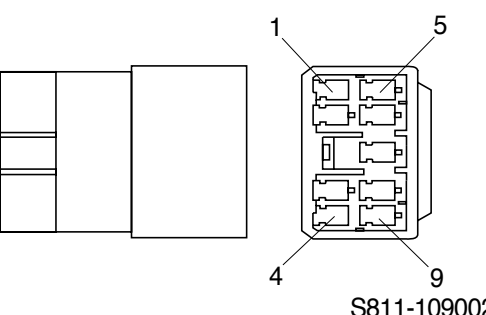
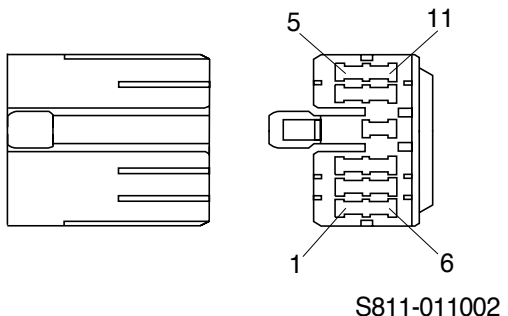
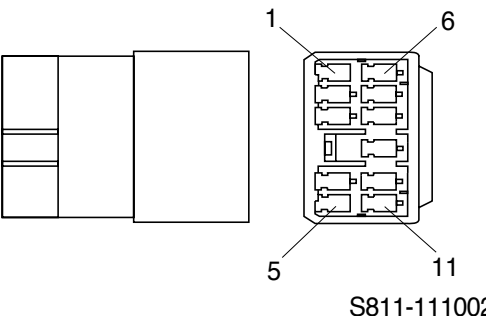
Connector number	Type	No. of pin	Destination	Connector part No.	
				Female	Male
Sensor, sender					
CD-1	-	1	Hydraulic oil temp sensor	1-150656	-
CD-2	SWP	2	Fuel sensor	S814-002000	-
CD-3	Rubber cap	-	Brake fail pressure switch	21EA-00310	-
CD-4	Rubber cap	-	Stop lamp pressure switch	21EA-00300	-
CD-5	Rubber cap	-	Clutch cut off pressure switch	21EA-00310	-
CD-8	Ring term	-	Water temp sensor	-	S820-105000
CD-9	PLC(MARK II)	1	Over heat switch	S819-010122	-
CD-10	Ring term	2	Air cleaner switch	S820-105000	-
CD-18	Ring term	-	Engine oil pressure switch	-	S820-105000
CD-25	PLC(MARK II)	-	Transmission oil pressure switch	S819-010122	-
CD-26	Rubber cap	-	Parking pressure switch	21EA-00310	-
CD-29	Ring term	-	Transmission temp sensor	-	S820-106000
CD-39	PLC(MARK II)	2	Steering pressure switch	S819-010122	-
CD-40	PLC(MARK II)	2	Steering pump pressure switch	S819-010122	-
CD-41	Rubber cap	-	Boom down pressure switch	21EA-00310	-

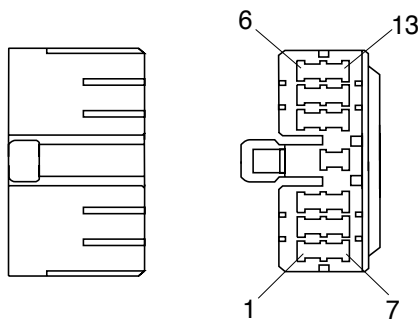
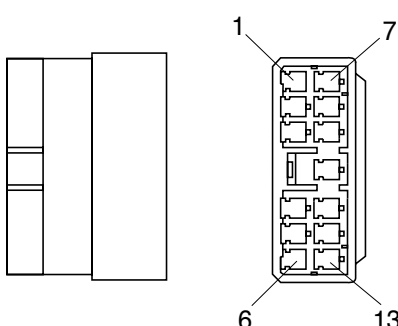
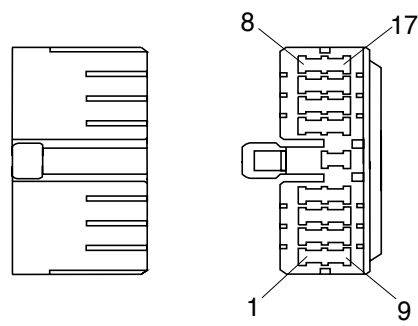
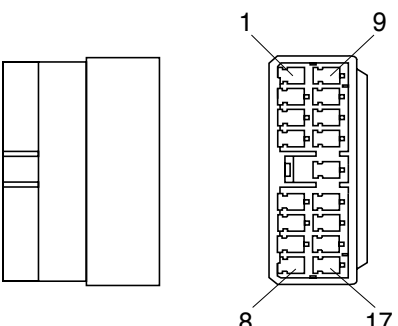
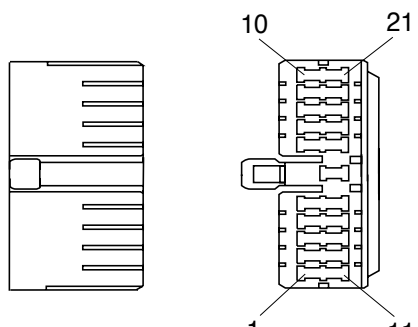
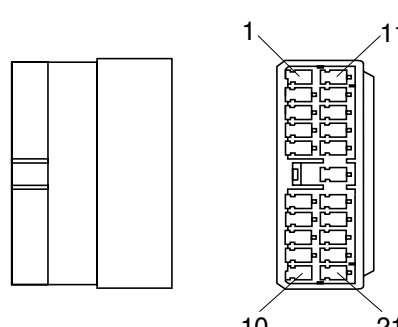
2. CONNECTION TABLE FOR CONNECTORS

1) 58-L TYPE CONNECTOR

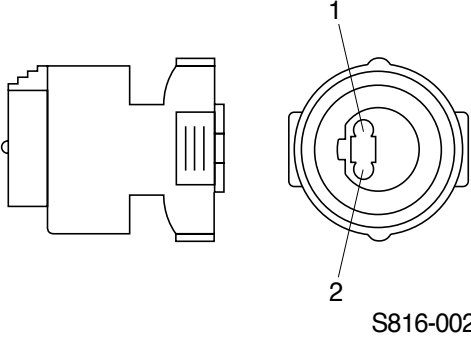
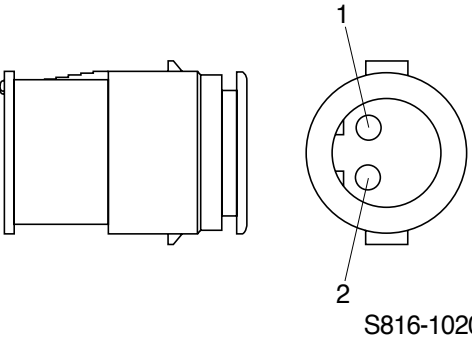
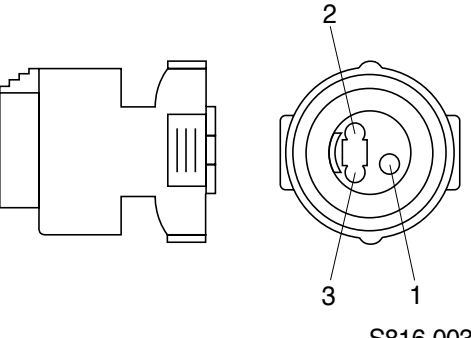
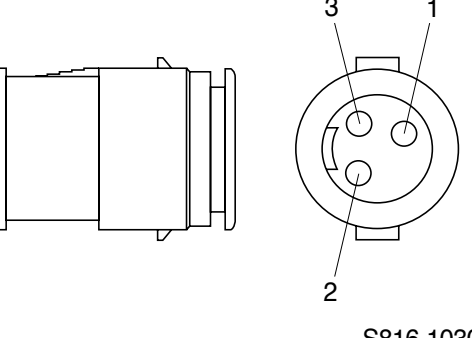
No. of pin	Receptacle connector(Female)	Plug connector(Male)
1	 <p style="text-align: center;">S813-030100</p>	 <p style="text-align: center;">S813-130100</p>
2	 <p style="text-align: center;">S813-030200</p>	 <p style="text-align: center;">S813-130200</p>

2) PA TYPE CONNECTOR

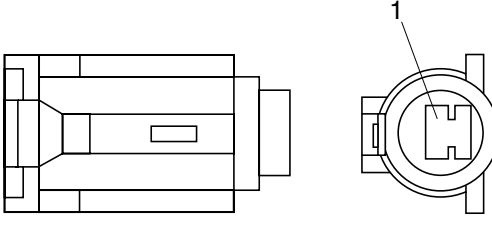
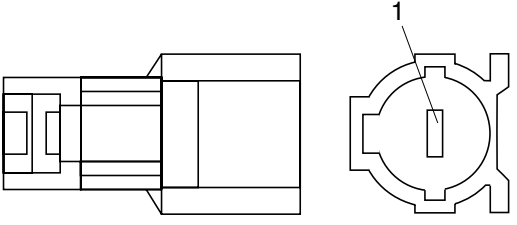
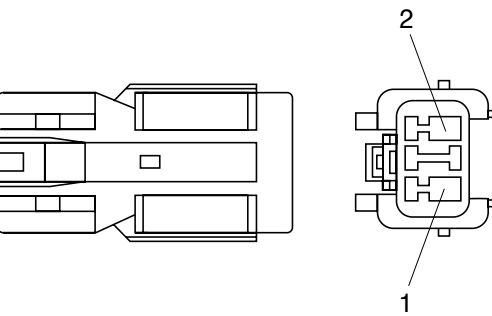
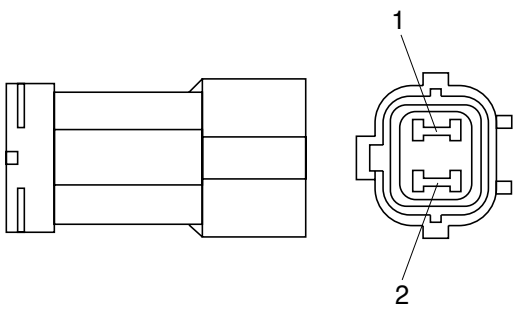
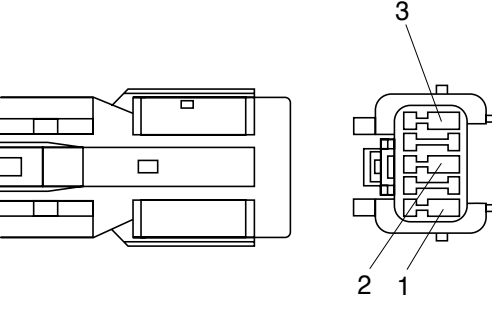
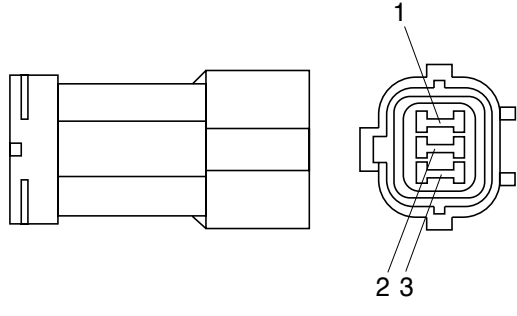
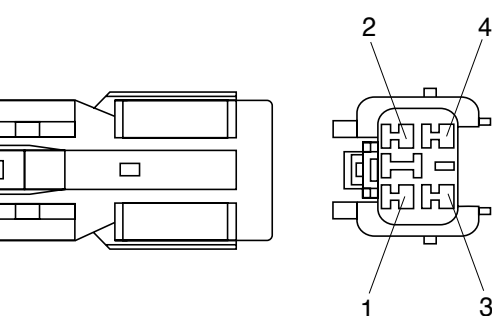
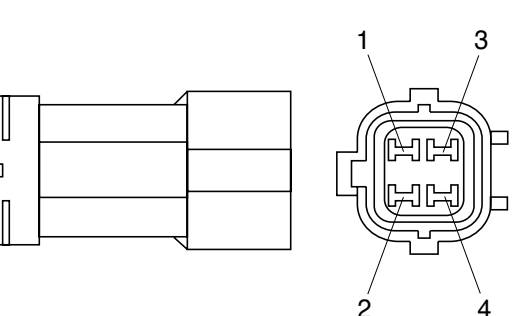
No. of pin	Receptacle connector(Female)	Plug connector(Male)
5	 <p style="text-align: center;">S811-005002</p>	 <p style="text-align: center;">S811-105002</p>
7	 <p style="text-align: center;">S811-007002</p>	 <p style="text-align: center;">S811-107002</p>
9	 <p style="text-align: center;">S811-009002</p>	 <p style="text-align: center;">S811-109002</p>
11	 <p style="text-align: center;">S811-011002</p>	 <p style="text-align: center;">S811-111002</p>

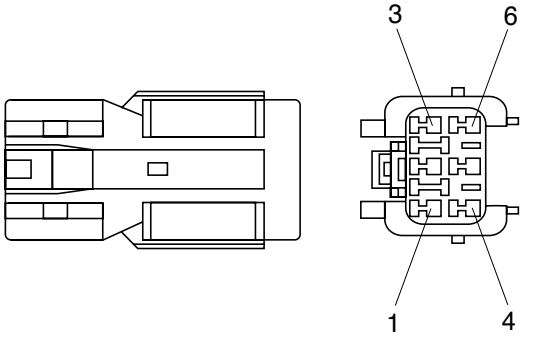
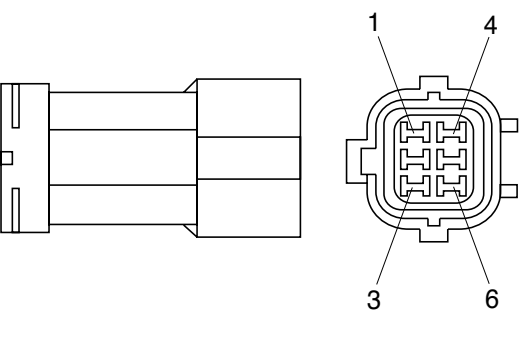
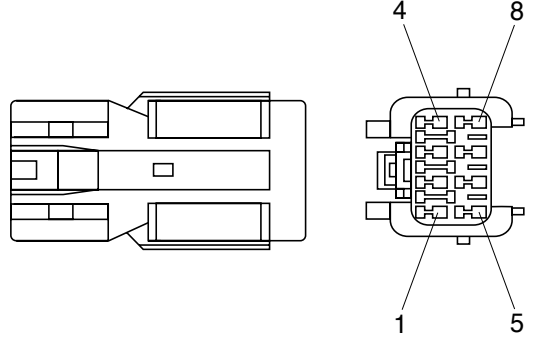
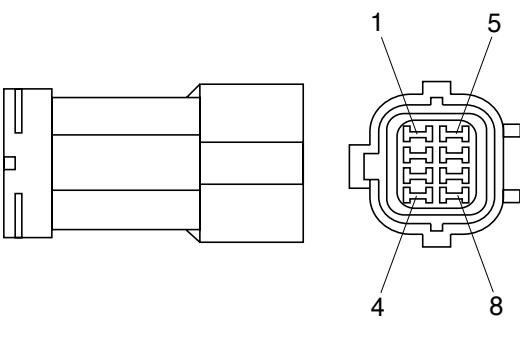
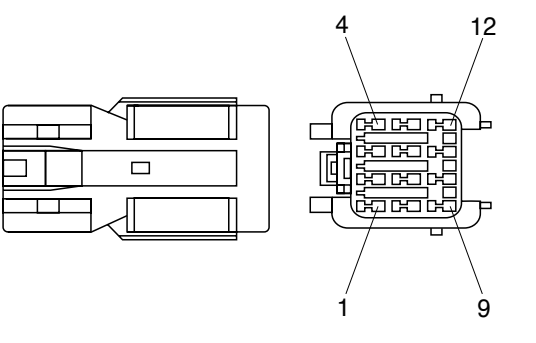
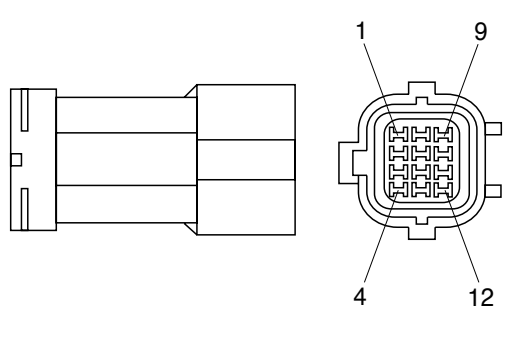
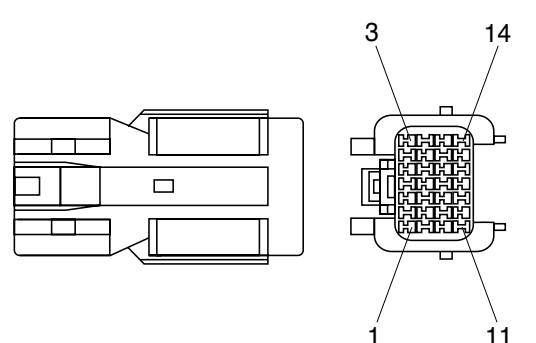
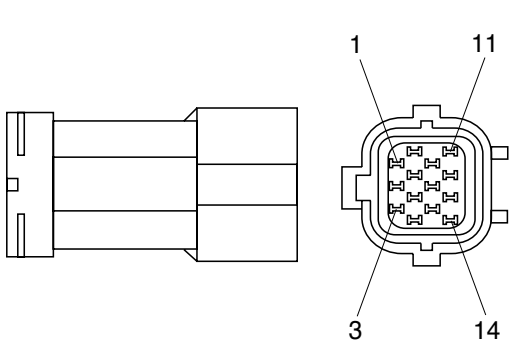
No. of pin	Receptacle connector(Female)	Plug connector(Male)
13	 <p data-bbox="710 616 853 649">S811-013002</p>	 <p data-bbox="1284 616 1428 649">S811-113002</p>
17	 <p data-bbox="710 1019 853 1052">S811-017002</p>	 <p data-bbox="1284 1019 1428 1052">S811-117002</p>
21	 <p data-bbox="710 1422 853 1456">S811-021002</p>	 <p data-bbox="1284 1422 1428 1456">S811-121002</p>

3) J TYPE CONNECTOR

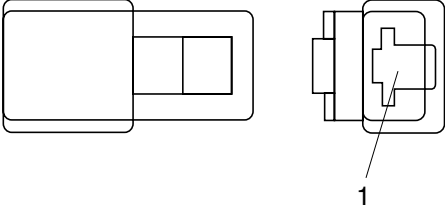
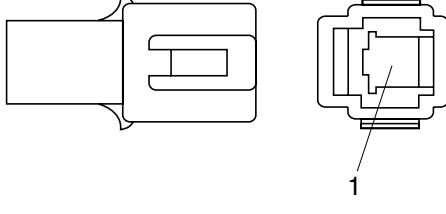
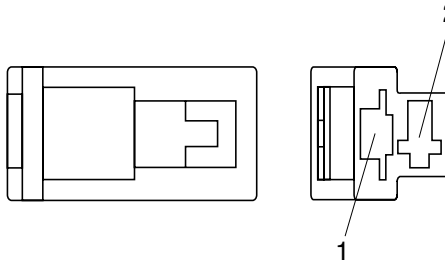
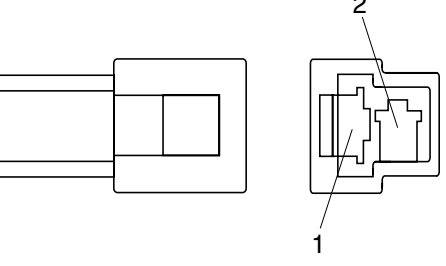
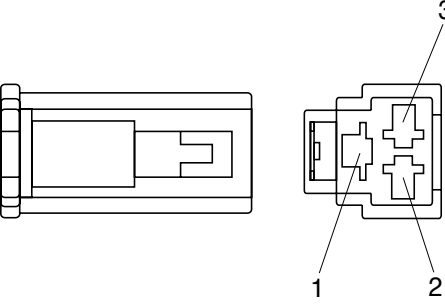
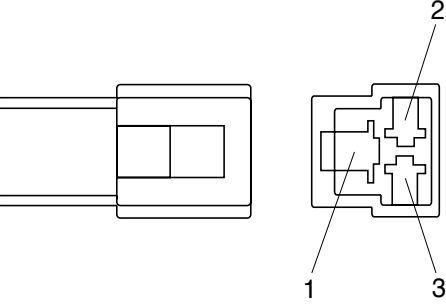
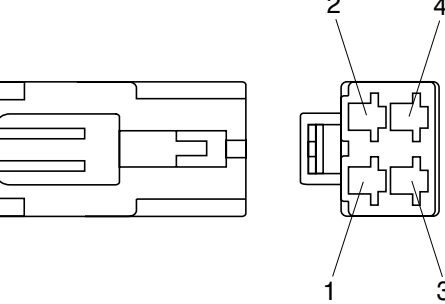
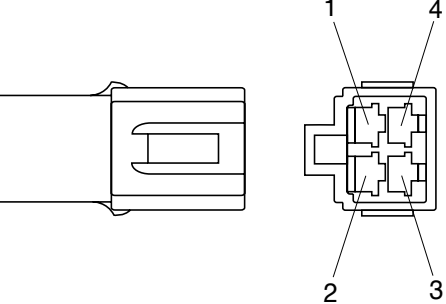
No. of pin	Receptacle connector(Female)	Plug connector(Male)
2	 <p style="text-align: center;">S816-002001</p>	 <p style="text-align: center;">S816-102001</p>
3	 <p style="text-align: center;">S816-003001</p>	 <p style="text-align: center;">S816-103001</p>

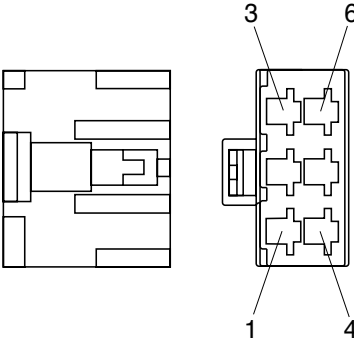
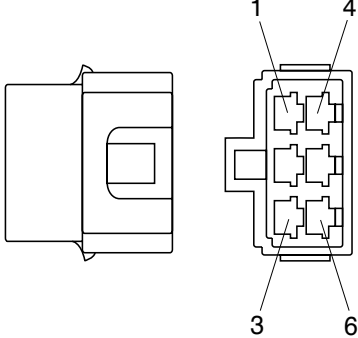
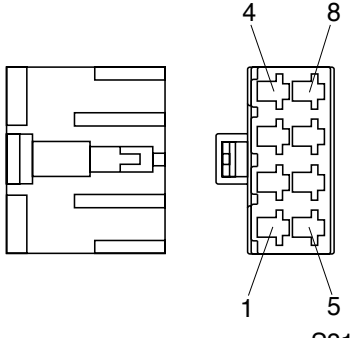
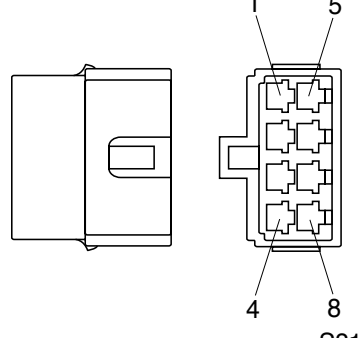
4) SWP TYPE CONNECTOR

No. of pin	Receptacle connector(Female)	Plug connector(Male)
1	 <p style="text-align: center;">S814-001000</p>	 <p style="text-align: center;">S814-101000</p>
2	 <p style="text-align: center;">S814-002000</p>	 <p style="text-align: center;">S814-102000</p>
3	 <p style="text-align: center;">S814-003000</p>	 <p style="text-align: center;">S814-103000</p>
4	 <p style="text-align: center;">S814-004000</p>	 <p style="text-align: center;">S814-104000</p>

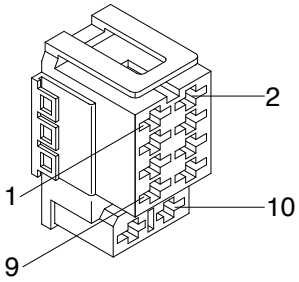
No. of pin	Receptacle connector(Female)	Plug connector(Male)
6	 <p data-bbox="699 622 842 651">S814-006000</p>	 <p data-bbox="1273 622 1417 651">S814-106000</p>
8	 <p data-bbox="699 1025 842 1055">S814-008000</p>	 <p data-bbox="1273 1025 1417 1055">S814-108000</p>
12	 <p data-bbox="699 1429 842 1458">S814-012000</p>	 <p data-bbox="1273 1429 1417 1458">S814-112000</p>
14	 <p data-bbox="699 1832 842 1861">S814-014000</p>	 <p data-bbox="1273 1832 1417 1861">S814-114000</p>

5) CN TYPE CONNECTOR

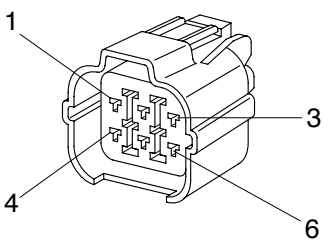
No. of pin	Receptacle connector(Female)	Plug connector(Male)
1	 <p style="text-align: center;">S810-001202</p>	 <p style="text-align: center;">S810-101202</p>
2	 <p style="text-align: center;">S810-002202</p>	 <p style="text-align: center;">S810-102202</p>
3	 <p style="text-align: center;">S810-003202</p>	 <p style="text-align: center;">S810-103202</p>
4	 <p style="text-align: center;">S810-004202</p>	 <p style="text-align: center;">S810-104202</p>

No. of pin	Receptacle connector(Female)	Plug connector(Male)
6	 <p style="text-align: center;">S810-006202</p>	 <p style="text-align: center;">S810-106202</p>
8	 <p style="text-align: center;">S810-008202</p>	 <p style="text-align: center;">S810-108202</p>

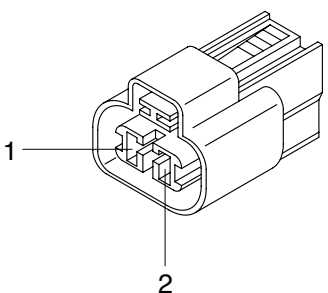
6) ITT SWF CONNECTOR

No. of pin	Receptacle connector(Female)	Plug connector(Male)
10	 <p style="text-align: right;">SWF593757</p>	

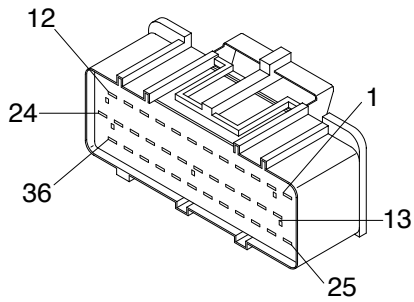
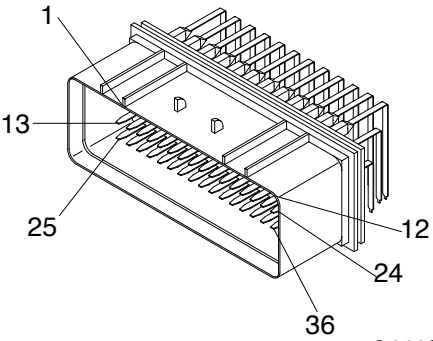
7) HW090 SEALED CONNECTOR

No. of pin	Receptacle connector(Female)	Plug connector(Male)
6	 <p style="text-align: right;">6189-0133</p>	

8) MWP02F-B CONNECTOR

No. of pin	Receptacle connector(Female)	Plug connector(Male)
2	 <p style="text-align: right;">PH805-02028</p>	

9) AMP ECONOSEAL CONNECTOR

No. of pin	Receptacle connector(Female)	Plug connector(Male)
36	 <p style="text-align: right;">344111-1</p>	 <p style="text-align: right;">344108-1</p>