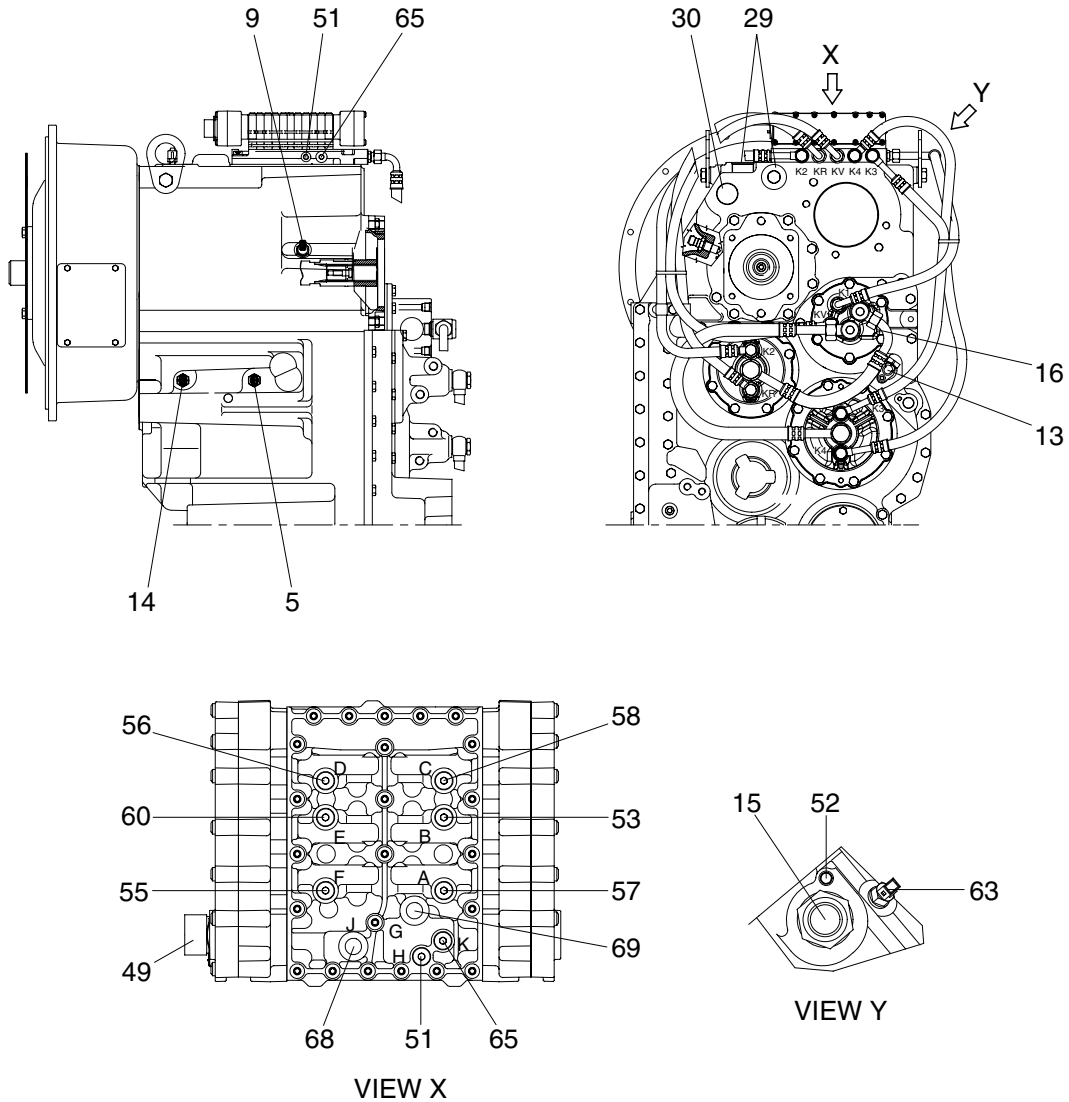


GROUP 3 TESTS AND ADJUSTMENTS

1. TRANSMISSION MEASURING POINTS AND CONNECTIONS

The measurements have to be carried out at hot transmission (about 80-95°C).



77093PT17

1) OIL PRESSURE AND TEMPERATURE

Port	Description		Size
51	In front of the converter-opening pressure (11+2 bar)	H	M10 × 1.0
52	Behind the converter-opening pressure (4.3+3 bar)		M14 × 1.5
53	Forward clutch (16+2bar)	KV B	M10 × 1.0
55	Reverse clutch (16+2bar)	KR E	M10 × 1.0
56	1st clutch (16+2bar)	K1 D	M10 × 1.0
57	2nd clutch (16+2bar)	K2 A	M10 × 1.0
58	3rd clutch (16+2bar)	K3 C	M10 × 1.0
60	4th clutch (16+2bar)	K4 F	M10 × 1.0
63	Behind the converter temperature 100°C, short-time 120°C		M14 × 1.5
65	System pressure (16+2bar)	K	M10 × 1.0

2) CONNECTIONS

Port	Description	Size
15	Connection to the oil cooler	M42 × 2.0
16	Connection from the oil cooler	M42 × 2.0
29	Connection from filter	M42 × 2.0
30	Connection to filter	M42 × 2.0
49	Plug connection on the hydraulic control unit	-
68	Pilot pressure (option) J	M16 × 1.5
69	System pressure (option) G	M16 × 1.5

3) INDUCTIVE TRANSMITTER AND SPEED SENSOR

Port	Description	Size
5	Inductive transmitter n Central gear chain	M18 × 1.5
9	Inductive transmitter n Engine	M18 × 1.5
13	Speed sensor n Output and speedometer	-
14	Inductive transmitter n Turbine	M18 × 1.5