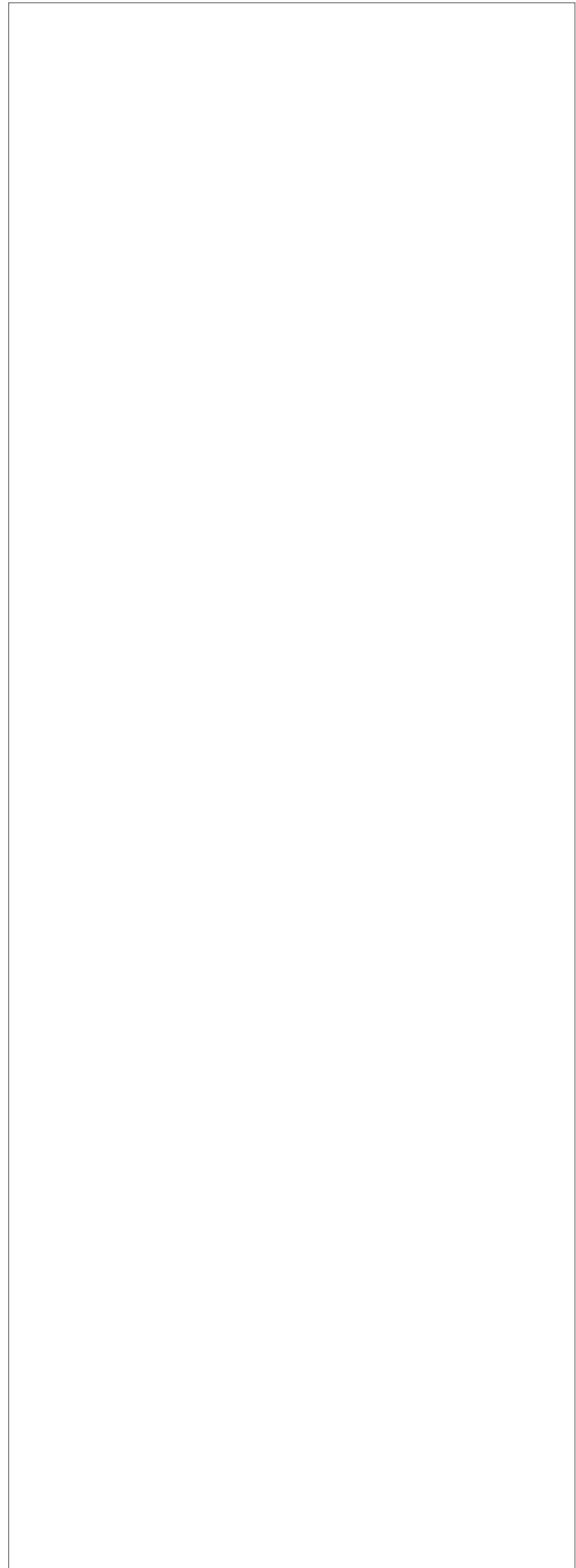


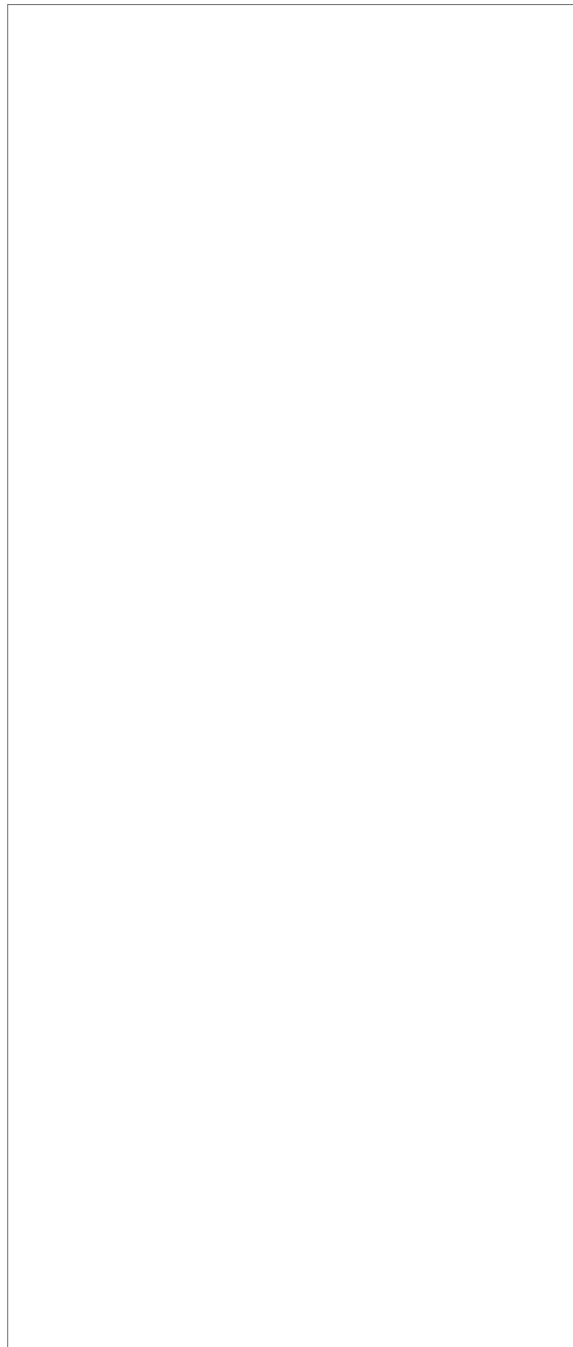
GROUP 3 TESTS AND ADJUSTMENTS

1. HYDRAULIC OIL CLEAN UP PROCEDURE USING PORTABLE FILTER CADDY

- ※ Service equipment and tool
 - Portable filter caddy
 - Two 4000 mm × 1in 100R1 Hoses
 - Quick disconnect fittings.
 - Discharge wand
 - Various size fittings.
 - ※ Brake system uses oil from hydraulic oil tank. Flush all lines in the brake, pilot, steering system and cut off system. Disassemble and clean major components for brake and steering system. Remove and clean pilot caps from main control valve.
Brake and steering components may fail if brake and steering system is not cleaned after hydraulic oil tank contamination.
- 1) If hydraulic system is contaminated due to a major component failure, remove and disassemble steering cylinders to clean debris from cylinders.
 - 2) Install a new return filter element. Inspect filter housing before installing new element.
 - ※ For a failure that creates a lot of debris, remove access cover from hydraulic oil tank. Drain and clean hydraulic oil tank of fill the specified oil to hydraulic oil tank through upper cover.
 - 3) To minimize oil loss, pull a vacuum in hydraulic oil tank using a vacuum pump. Connect filter caddy suction line to drain port at bottom of hydraulic oil tank using connector. Check to be sure debris has not closed drain port.
 - 4) Put filter caddy discharge line into hydraulic oil tank filler hole so end is as far away from drain port as possible to obtain a thorough cleaning of oil.



- 5) Start the filter caddy. Check to be sure oil is flowing through the filters.
Operate filter caddy approximately 10 minutes so oil in hydraulic oil tank is circulated through filter a minimum of four times.
 - ※ Hydraulic oil tank capacity : 178 l (47U.S. gal)Leave filter caddy operation for the next steps.
- 6) Start the engine and run it at high idle.
 - ※ For the most effective results, cleaning procedure must start with the smallest capacity circuit then proceed to the next largest capacity circuit.
- 7) Operate all functions, one at a time, through a complete cycle in the following order: Clam, steering, bucket, and boom. Also include all auxiliary hydraulic functions. Repeat procedure until the total system capacity has circulated through filter caddy seven times, approximately 30 minutes. Each function must go through a minimum of three complete cycles for a through cleaning for oil.
 - ※ Filtering time for machines with auxiliary hydraulic functions must be increased because system capacity is larger.
- 8) Stop the engine. Remove the filter caddy.
- 9) Install a new return filter element.
- 10) Check oil level in reservoir; Add oil if necessary.



2. BOOM HEIGHT KICKOUT ADJUSTMENT

The bucket can be adjusted to a height desired by using the boom kick-out device.

- ▲ Park the machine on level ground and block the tires to prevent sudden movement of the machine.
- ▲ Press the parking brake switch.
- ▲ Fix the front and rear frames by using the safety lock bar.
- ▲ Do not work underneath the work equipment.

1) ADJUSTMENT OF THE BOOM KICKOUT

(1) Lift kickout position

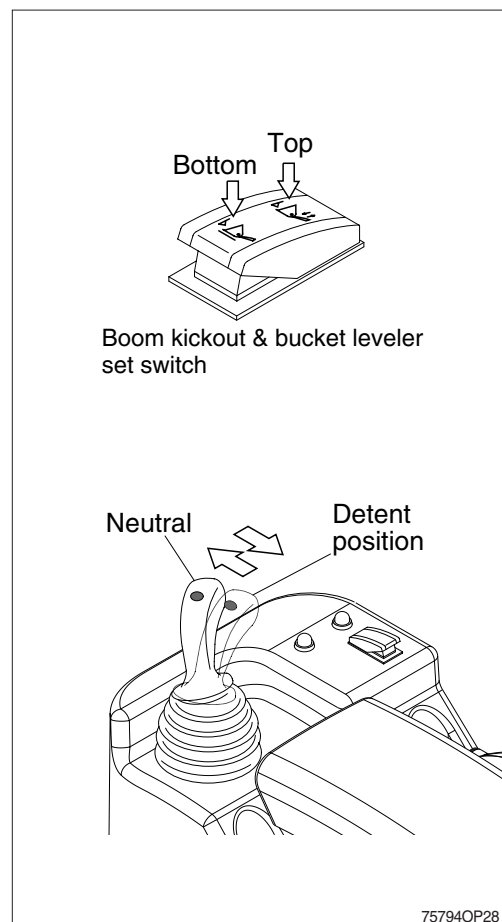
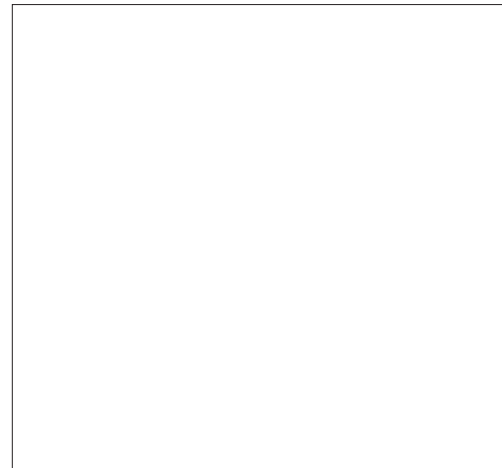
To set the lift kickout, raise the bucket to the desired position above the midway point. Then depress the top of switch for 2~3 seconds. The boom will return to the programmed position when the raise detent is activated and the boom is below the kickout position.

(2) Lower kickout position

To set the lower kickout, lower the bucket to the desired position below the midway point. Then depress the top of switch for 2~3 seconds. The boom will return to the programmed position when the float detent is activated and the boom is at least a foot above the kickout position.

(3) Bucket leveler position

To set the bucket leveler, roll back the bucket to the desired position. Then depress the bottom of switch for 2~3 seconds. The bucket will return to the programmed position when the roll back detent is activated and the bucket is below the leveler position.



3. TEST TOOLS

1) CLAMP-ON ELECTRONIC TACHOMETER INSTALLATION

- Service equipment and tools
- Tachometer

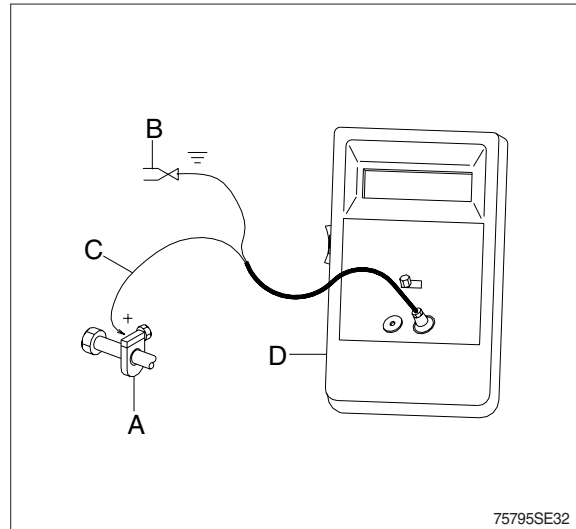
A : Clamp on tachometer.

Remove paint using emery cloth and connect to a straight section of injection line within 100 mm (4 in) of pump. Finger Tighten only-do not over tighten.

B : Black clip (-). Connect to main frame.

C : Red clip (+). Connect to transducer.

D : Tachometer readout. Install cable.



2) DIGITAL THERMOMETER INSTALLATION

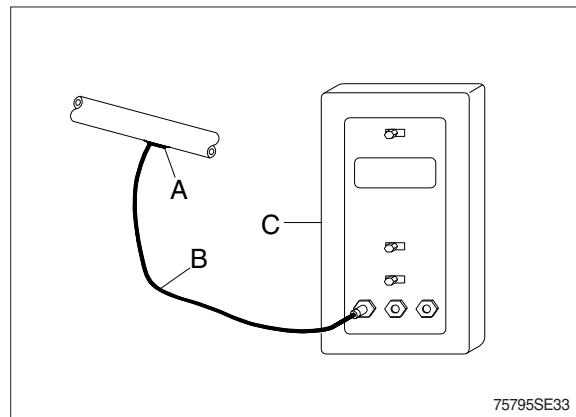
- Service equipment and tools
- Digital thermometer

A : Temperature probe.

Fasten to a bare metal line using a tie band. Wrap with shop towel.

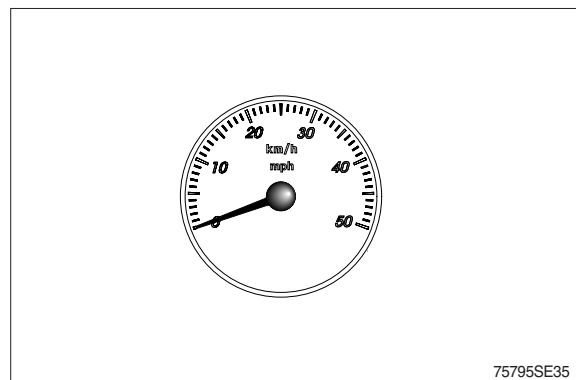
B : Cable.

C : Digital thermometer.



3) DISPLAY MONITOR TACHOMETER

The display monitor tachometer is accurate enough for test work.



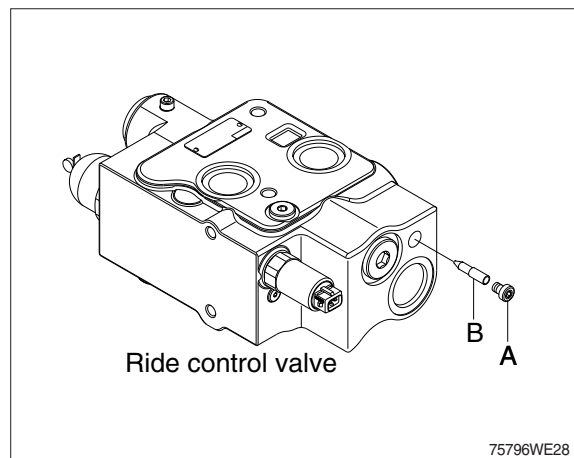
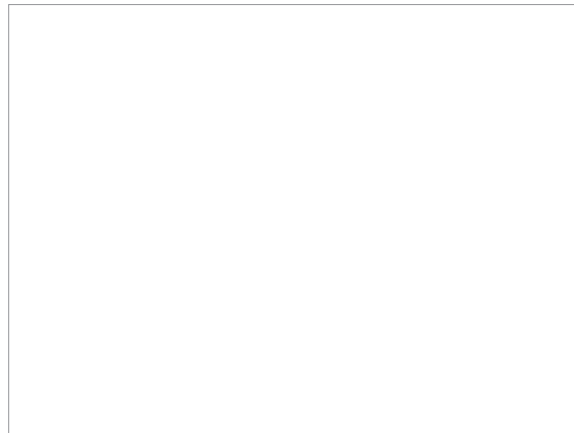
4. HYDRAULIC OIL WARM UP PROCEDURE

- 1) Install temperature reader (see temperature reader installation procedure in this group).
- 2) Run engine at high idle.
- 3) Hold a hydraulic function over relief to heat the oil.
- 4) Periodically cycle all hydraulic functions to distribute warm oil.
- 5) Heat oil to test specification (approx. 45°C).

※ Ride control system (option)

▲ Attention

- 1) Before carrying out any maintenance work the accumulators must be unloaded (zero pressure).
 - 2) For this, unscrew the plug (A) then rotate the drain screw (B), located under the plug (A), 2 turns anti-clockwise with 3 mm L-wrench.
 - 3) The lifting system must firstly be secured against lowering.
 - 4) After carrying out maintenance work, screw the plug (A) and drain screw (B).
 - Tightening torque
- A : 0.51 kgf · m (3.69 lbf · ft)
B : 0.36 kgf · m (2.58 lbf · ft)



5. MAIN HYDRAULIC PUMP FLOW TEST

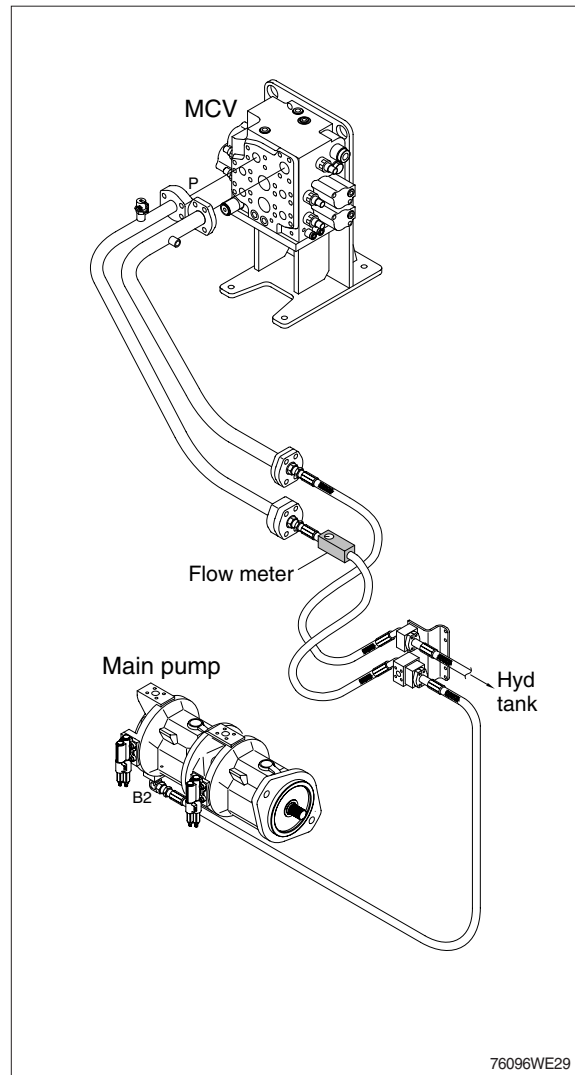
· SPECIFICATION

Oil temperature	$45 \pm 5^\circ\text{C}$ ($113 \pm 9^\circ\text{F}$)
Engine speed	2100 ± 25 rpm
Test pressure	200 ± 5 bar (2900 psi)
Maximum pump flow	233 l / min (61.5 gpm)

· FLOW METER GAUGE AND TOOL

Gauge	0~35 MPa (0~350 bar, 0~5000 psi)
Temperature reader	

- 1) Make test connections.
- 2) Install temperature reader.
(see temperature reader installation procedure in this group)
- 3) Heat hydraulic oil to specifications.
(see hydraulic oil warm up procedure in this group)
- 4) Run engine at test specifications.
- 5) Close flow meter loading valve to increase pressure to test specifications.
- 6) Read flow meter.
- 7) If flow is below specifications, check suction line and suction pressure for abnormality before removing pump.



6. LOADER SYSTEM AND PORT RELIEF VALVE PRESSURE TEST

· SPECIFICATION

Oil temperature (40~50°C)

Relief valve	Engine speed	Relief pressure
System (M)	Low	280 ± 5 kg/cm ² (3980 ± 70 psi)
Boom raise (U)	Low	340 ± 10 kg/cm ² (4840 ± 140 psi)
Bucket rollback (R)	Low	340 ± 10 kg/cm ² (4840 ± 140 psi)
Bucket dump (D)	Low	300 ± 10 kg/cm ² (4270 ± 140 psi)

· Gauge and tool

Gauge 0~35 MPa (0~350 bar, 0~5000 psi)

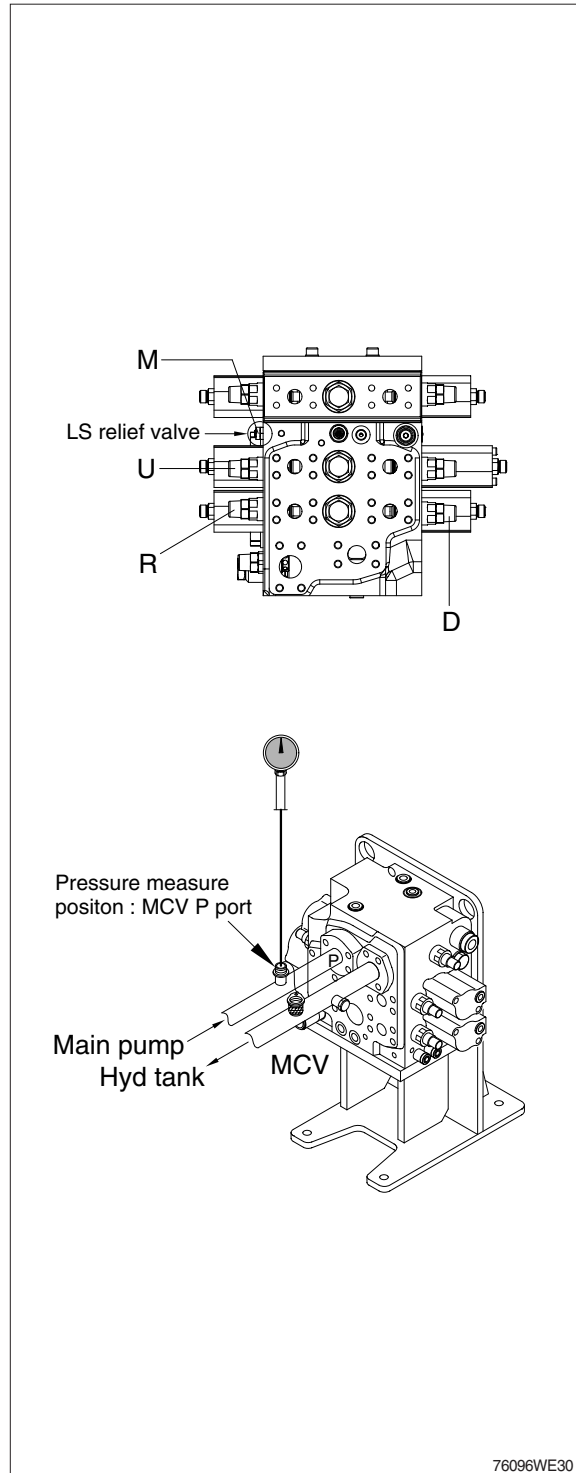
M : System (main) relief valve

R : Bucket rollback relief

D : Bucket dump relief

U : Boom raise relief

- 1) Install fitting and pressure gauge to test port in pump delivery line.
- 2) Install temperature reader.
(see temperature reader installation procedure in this group)
- 3) Heat hydraulic oil to specifications.
(see hydraulic oil warm up procedure in this group)
- 4) To check the system relief (M), run engine at low idle. Lower boom to bottomed position.
Slowly activate boom down function while watching pressure gauge. If pressure is not to specification, loosen lock nut on system relief valve (M) and adjust to specification.



76096WE30

※ Do not adjust the system relief valve above 280 kg/cm² (3980 psi). Damage to the pump will result from excessive pressure settings.

5) To check the bucket dump, bucket rollback, boom down and boom raise, adjust the system relief valve to 350 kg/cm² (4980 psi).

Run engine to maintain 800 ~ 850rpm when hydraulic function is activated over relief.

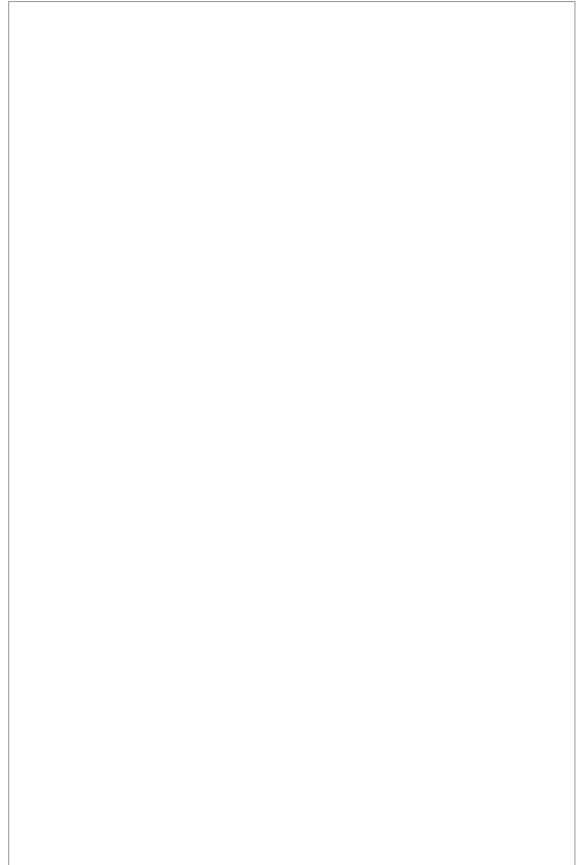
Activate the function to be checked with the cylinder bottomed. Read the pressure gauge.

If pressure is not to specification cycle relief valve over relief 10 times to flush.

Read pressure gauge again. Turn screw to adjust valve to specification.

※ Do not work machine with system relief adjusted above specification or structural damage may occur.

6) Adjust system relief valve to specification.



7. HYDRAULIC SYSTEM RESTRICTION TEST

· SPECIFICATION

- Oil temperature $45 \pm 5^{\circ}\text{C}$ ($113 \pm 9^{\circ}\text{F}$)
Engine speed High idle
Maximum pressure 4.5 MPa (45 bar, 640 psi) at steering valve (EHPS).
Maximum pressure at main control valve
1 MPa (10 bar, 145 psi)

· GAUGE AND TOOL

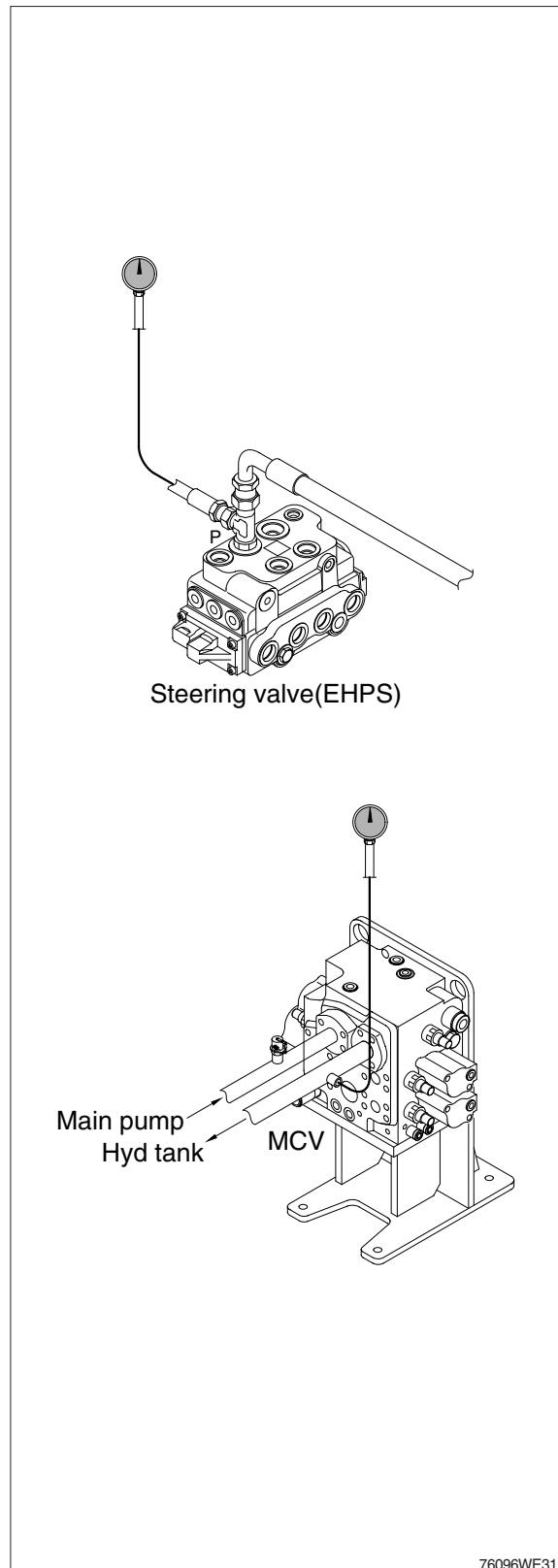
- Gauge 0~7 MPa (0~70 bar, 0~1000 psi) 2EA
This test will check for restrictions in the hydraulic system which can cause overheating of hydraulic oil.

- 1) Install temperature reader.
(see temperature reader installation procedure in this group)
- 2) Heat hydraulic oil to specifications.
(see hydraulic oil warm up procedure in this group)
- 3) Connect fitting and gauge to steering valve.
- 4) Connect fitting and gauge to main control valve.
- 5) Run engine at specification and read pressure gauges.

If pressure is more than specification at the loader control valve, check for a kinked, dented or obstructed hydraulic line. Check loader control valve for a binding spool.

If pressure is more than specification at the steering unit, inspect neutral condition of the steering unit and steering valve for a stuck spool. Make sure orifice plugs are installed in ends of priority valve spool.

Check for plugged orifice in priority valve and dynamic signal orifice on steering valve body.



8. LOADER CYLINDER DRIFT TEST

· SPECIFICATION

Oil temperature $45 \pm 5^{\circ}\text{C}$ ($113 \pm 9^{\circ}\text{F}$)

Boom horizontal

Bucket horizontal

Bucket unloaded

Item	Standard value
Retraction of boom cylinder rod	20 mm
Retraction of bucket cylinder rod	30 mm

· GAUGE AND TOOL

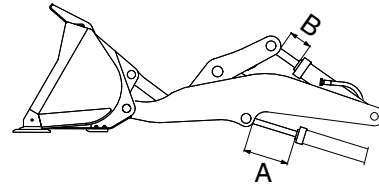
Stop watch

Temperature reader

⚠ Put the safety lock lever in the lock position.

⚠ Do not go under the work equipment.

- 1) Set the boom and bucket horizontal, then stop the engine.
- 2) Stop the engine, wait for 5 minutes, then start measuring.
- 3) Measure the amount the boom and bucket cylinder rods retract during 15 minutes.



A : Retraction of bucket cylinder rod

B : Retraction of boom cylinder rod

7577AWE31

9. BOOM AND BUCKET CYLINDER LEAKAGE TEST

· SPECIFICATION

Oil temperature $45 \pm 5^{\circ}\text{C}$ ($113 \pm 9^{\circ}\text{F}$)
Engine speed Low idle
Maximum leakage 15 ml/min (1/2 oz/min)

· GAUGE AND TOOL

Temperature reader
Stop watch
Measuring container

1) Fasten temperature sensor to head end port of cylinder to be tested. Cover sensor with a shop towel.

2) Heat hydraulic oil to specifications (see hydraulic oil warm up procedure in this group).

▲ Never work under raised equipment unless it is supported with a hoist or support stands.

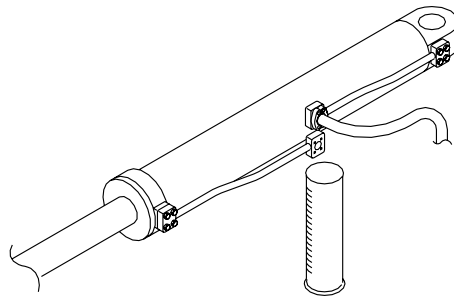
3) Full extend the cylinder to be tested. If testing the boom cylinders, restrain boom in the fully raised position using a hoist or a stand.

※ Check cylinders for leakage in the fully extended position only. In the retracted position contacts the end of the cylinder and seals off piston seal leakage.

4) Remove and plug cylinder rod end hose or line.

5) Run engine at slow idle. Activate control lever to extend cylinder for 1 minute over relief while measuring leakage for open port.

If leakage is within specification, excessive cylinder drift is caused by leakage in the loader control valve or circuit relief valve.



(770-3ATM) 6-56

10. PILOT CONTROL VALVE PRESSURE TEST

· SPECIFICATION

Oil temperature $45 \pm 5^{\circ}\text{C}$ ($113 \pm 9^{\circ}\text{F}$)

Engine speed Low idle

Begin metering $1/4"$ of lever travel

Pressure in detent :

Boom float detent 1.9 MPa (19 bar)

Pressure at feel position :

Boom power down 19~22bar

Boom raise 19~22bar

Bucket rollback 19~22bar

Bucket dump 19~22bar

· GAUGE AND TOOL

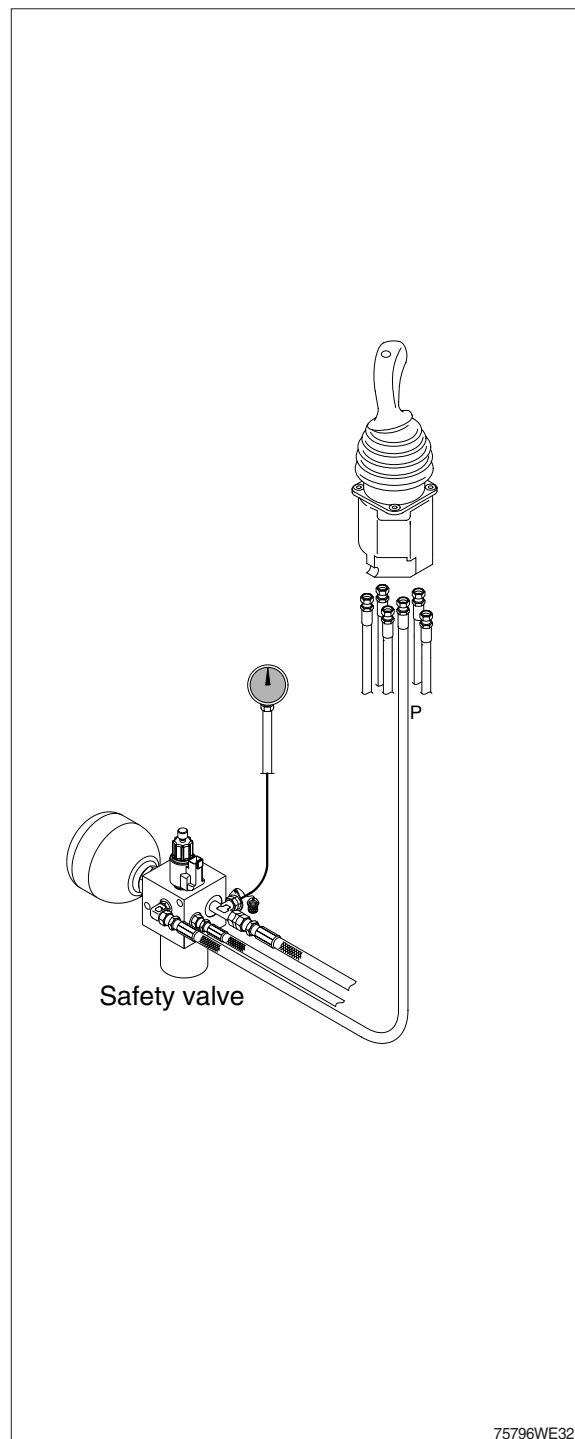
Gauge 0~7 MPa (0~70 bar, 0~1000 psi)

As the control lever is moved from neutral, the pilot pressure will suddenly jump up to approximately 5.8bar at $1/4$ in. travel. The pressure should then increase smoothly to the specification at the FEEL position (or $3/4$ lever travel), and then jump up about 430psi as the lever is moved into detent.

This test will determine if adequate pilot pressure is available to move the loader control valve spools.

- ※ The FEEL position is when lever is moved to feel the ramp of the detent before lever passes into detent position.

- 1) Lower boom to ground.
- 2) Connect gauge to the pilot pressure port of function to be checked.
- 3) Install temperature reader (see temperature reader installation procedure in this group).
- 4) Heat hydraulic oil to specification (see hydraulic oil warm up procedure in this group).



5) Run engine at specification. Activate function to be checked and record pressure reading.

※ If boom raise or bucket rollback FEEL positions are not operation due to boom or bucket position, plug boom float detent wires into bucket leveler solenoid or boom height kickout solenoid. This will provide a feel position on the control lever.



11. CYCLE TIME TEST

· SPECIFICATION

Oil temperature — $45 \pm 5^{\circ}\text{C}$ ($113 \pm 9^{\circ}\text{F}$)

Engine speed — High idle

Function	Operating conditions	Maximum cycle time (seconds)
Boom raise	Bucket flat on ground to full height	5.8
Boom lower (float)	Full height to ground level	3.1
Bucket dump	Boom at full height	1.2
Bucket rollback	Boom at full height	1.9
Steering (number of turns)	Frame stop to stop	3.5 (3.5 turns)

Hydraulic pump performance cycle time.

Function	Operating conditions	Maximum cycle time (seconds)
Boom raise	Bucket flat on ground to full height while holding steering over relief	10

12. HYDRAULIC OIL FILTER INSPECTION PROCEDURE

- 1) Lower the bucket to the ground, stop the engine, move the control lever back and forth several times, and clean all over the upper surface of the hydraulic oil tank.
- 2) Remove the bolts (1) and take out the filter case cover (2) and O-ring (3).
- 3) Remove the spring (4) and bypass valve (5).
- 4) Remove the filter element (6) from the tank.
- 5) Check the element and the filter case bottom for debris. Excessive amounts of brass and steel particles can indicate a failed hydraulic pump or a pump failure in process. A rubber type of material can indicate cylinder packing or other packing failure.

※ The hydraulic oil filter in the filter case of the hydraulic oil tank should be replaced every 250 operating hours or more often. When the filter element is replaced, please keep as follows.

- (1) Clean the inside of the filter case.
- (2) Place new element in the proper positions inside the filter case.
- (3) Install the bypass valve and spring. Make sure the element stand upright, and check for complete contact of the element bottom with the filter case bottom.
- (4) Install the O-ring and filter case covers. Tighten them with bolt. Replace the O-ring with new one if damaged.sa

