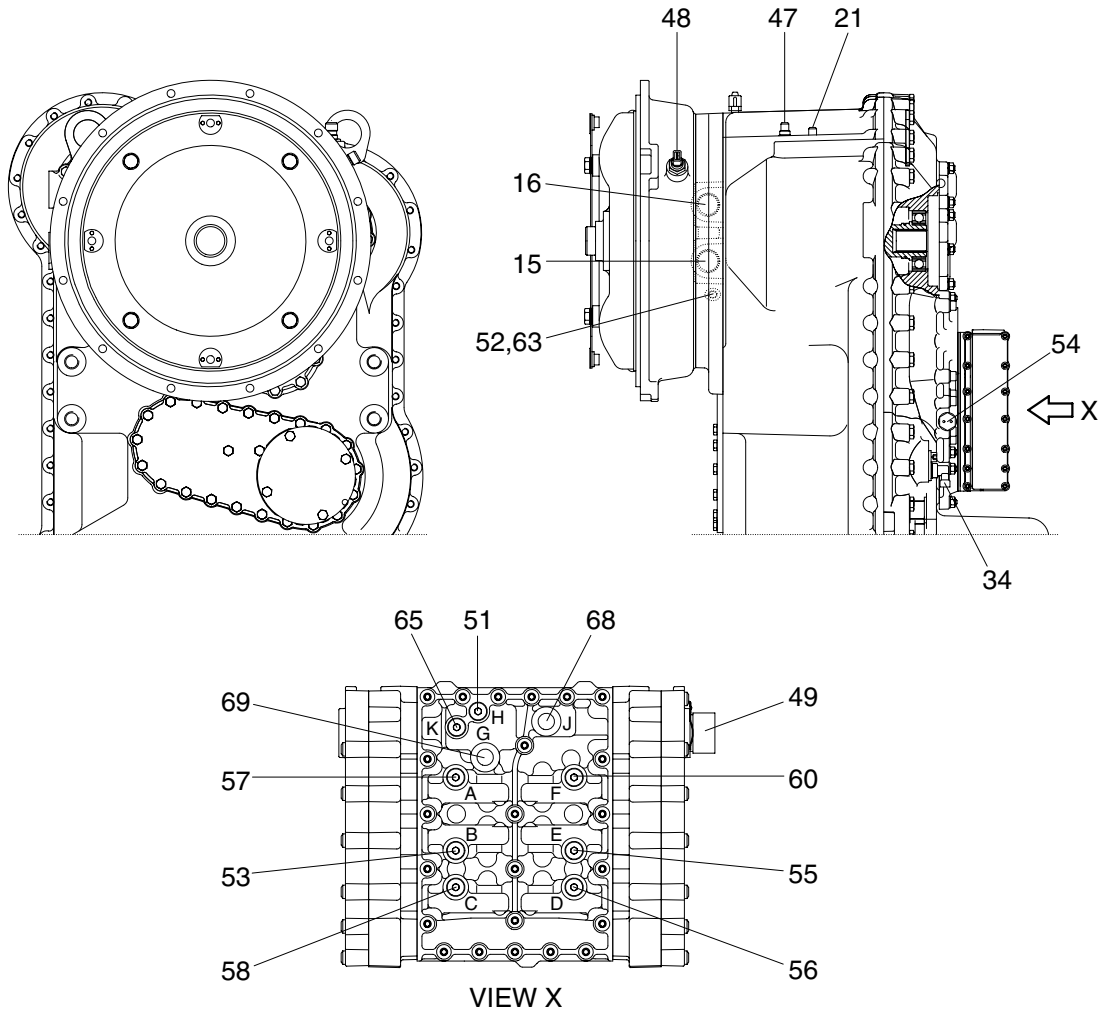


GROUP 3 TESTS AND ADJUSTMENTS

1. TRANSMISSION MEASURING POINTS AND CONNECTIONS

The measurements have to be carried out at hot transmission (about 80-95°C).



7607APT14

1) OIL PRESSURE AND TEMPERATURE

Port	Description		Size
51	Converter inlet-opening pressure (11+2 bar)	H	M10 × 1.0
52	Converter outlet-opening pressure (4.3+3 bar)		M14 × 1.5
53	Forward clutch (16+2 bar)	KV B	M10 × 1.0
55	Reverse clutch (16+2 bar)	KR E	M10 × 1.0
56	1st clutch (16+2 bar)	K1 D	M10 × 1.0
57	2nd clutch (16+2 bar)	K2 A	M10 × 1.0
58	3rd clutch (16+2 bar)	K3 C	M10 × 1.0
60	4th clutch (16+2 bar)	K4 F	M10 × 1.0
63	Converter outlet temperature 100°C, short-time 120°C		M14 × 1.5
65	System pressure (16+2 bar)	K	M10 × 1.0

2) DELIVERY RATES

Port	Description	Size
15	Connection to the oil cooler	1 5/6" -12UNF-2B
16	Connection from the oil cooler	1 5/6" -12UNF-2B

3) INDUCTIVE TRANSMITTER AND SPEED SENSOR

Port	Description	Size
21	Inductive transmitter n turbine	M18 × 1.5
34	Speed sensor n output and speedometer	-
47	Inductive transmitter n central gear train	M18 × 1.5
48	Inductive transmitter n engine	M18 × 1.5
54	Filter contamination switch	M14 × 1.5

4) CONNECTIONS

Port	Description	Size
49	Plug connection on the hydraulic control unit	-
68	Pilot pressure (option) J	M16 × 1.5
69	System pressure (option) G	M16 × 1.5