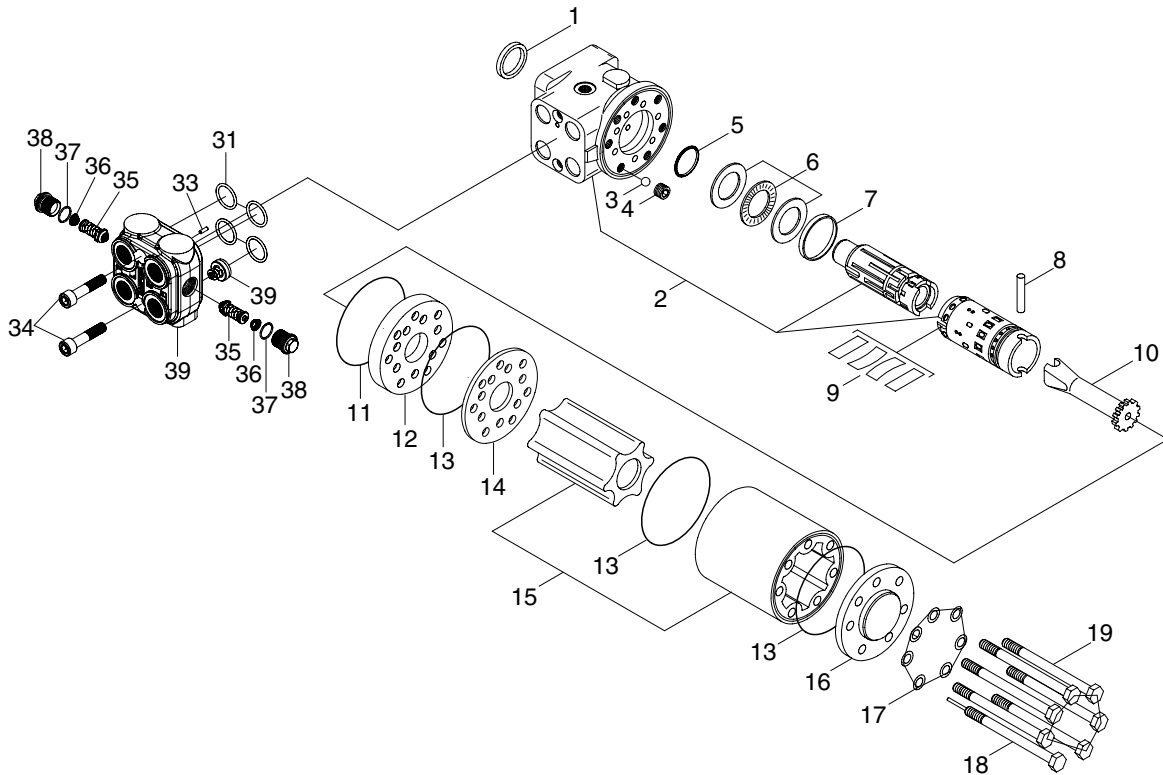


GROUP 4 DISASSEMBLY AND ASSEMBLY

1. STEERING UNIT

1) STRUCTURE

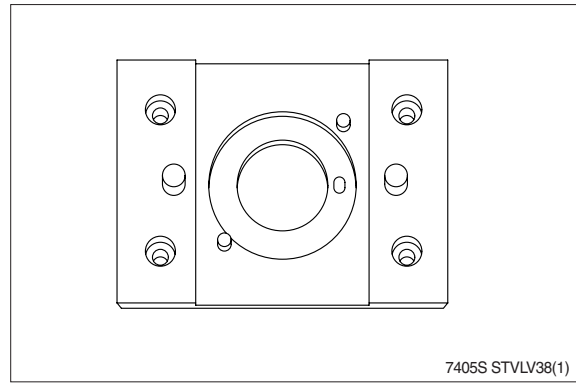


74095SE05

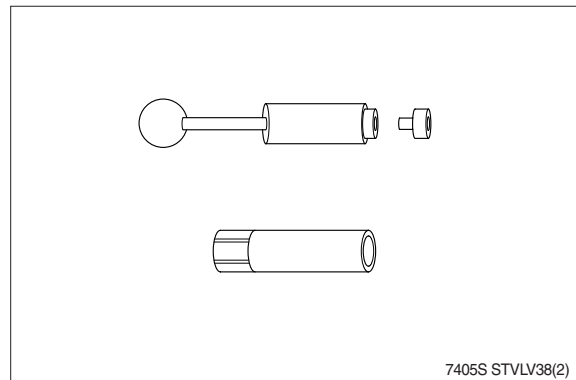
1	Dust seal ring	10	Cardan shaft	19	Screw
2	Housing, spool, sleeve	11	O-ring	31	Set of O-rings
3	Ball	12	Intermediate plate	33	Rolled pin
4	Thread bushing	13	O-ring	34	Screw
5	Roto glyd ring	14	Distributor plate	35	Shock valve
6	Bearing assembly	15	Gearwheel set	36	Spring
7	Ring	16	End cover	37	O-ring
8	Cross pin	17	Washer	38	Plug
9	Set of spring	18	Screw with pin	39	Housing, check valve

2) TOOLS

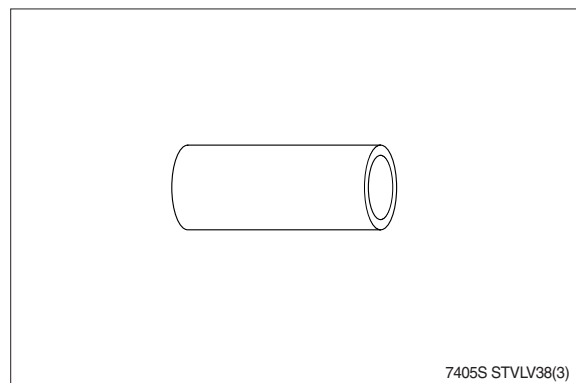
(1) Holding tool.



(2) Assembly tool for O-ring and kin-ring.



(3) Assembly tool for dust seal.



(4) Torque wrench 0-7.1 kgf · m (0-51.6 lb · ft).

13 mm socket spanner

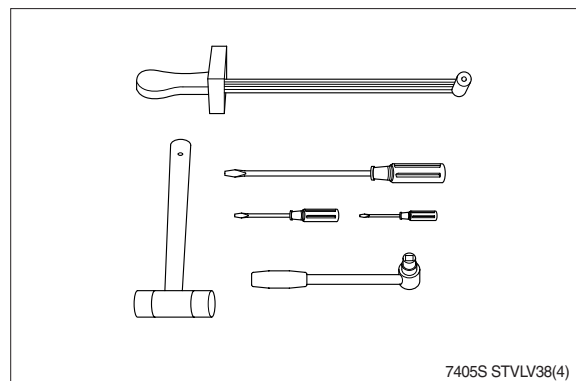
12 mm screwdriver

6 mm screwdriver

2 mm screwdriver

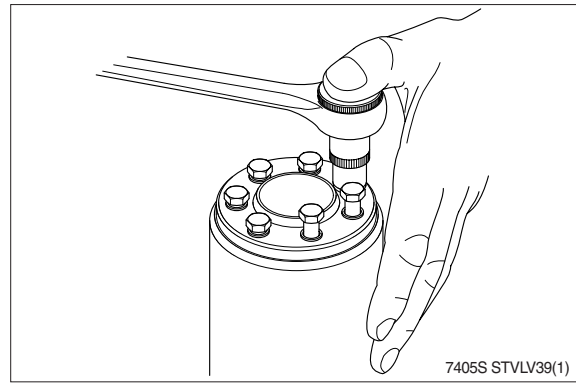
Plastic hammer

Ratchet spanner

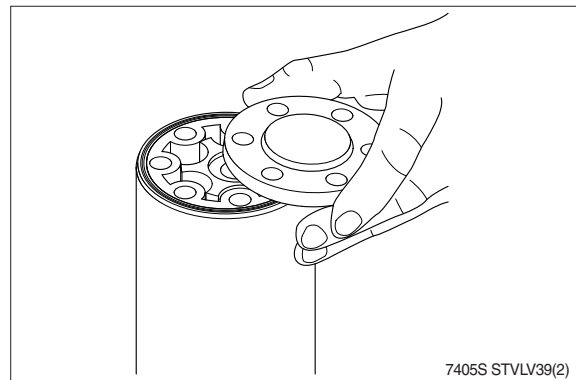


3) DISASSEMBLY

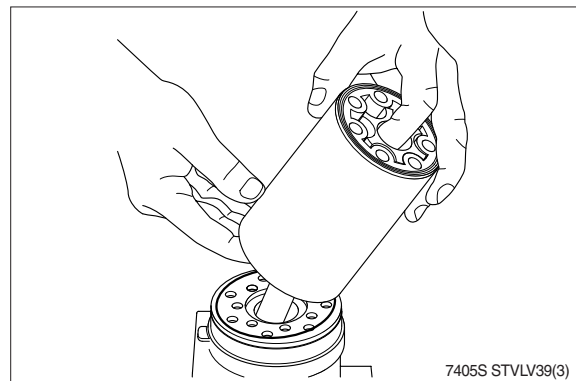
- (1) Disassemble steering column from steering unit and place the steering unit in the holding tool. Screw out the screws in the end cover (7-off-one rolled pin).



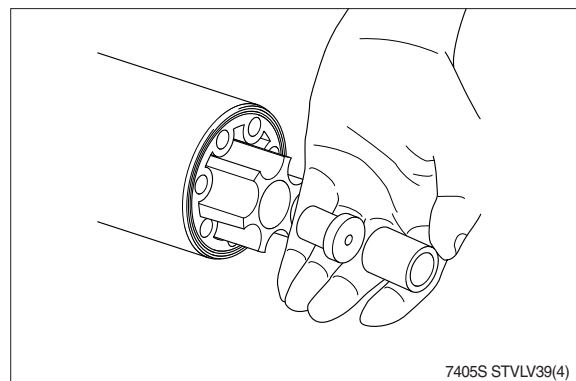
- (2) Remove the end cover, sideways.



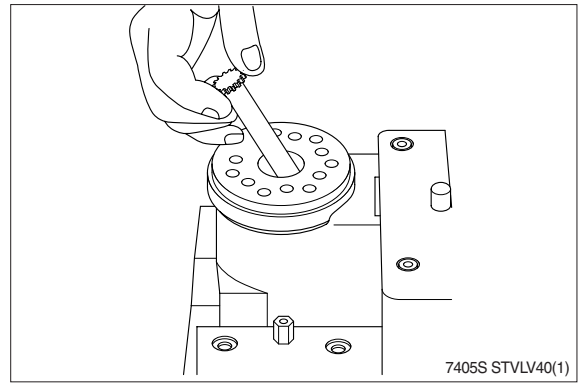
- (3) Lift the gearwheel set with spacer bushing (and spacer if fitted) off the unit. Take out the two O-rings.



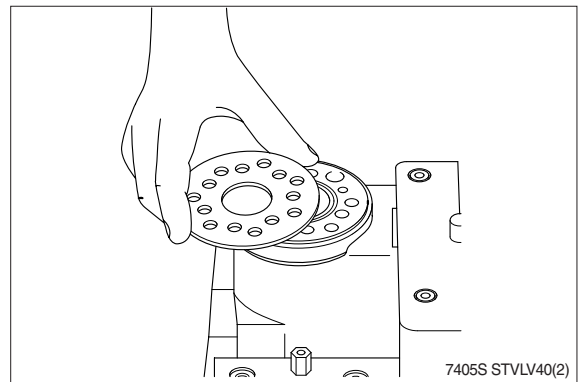
- (4) Remove spacer bushing and spacer (if fitted) from the gearwheel.



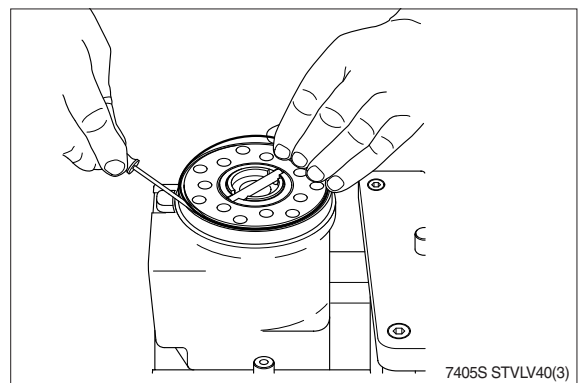
(5) Remove cardan shaft.



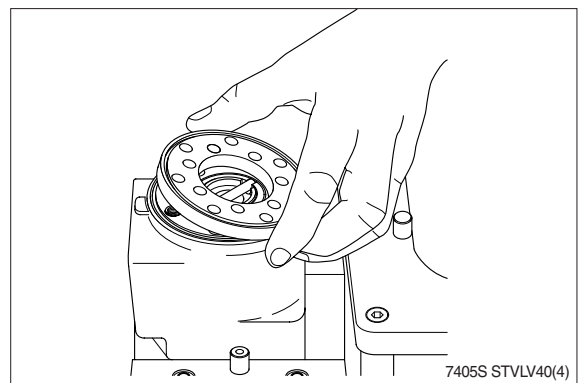
(6) Remove distributor plate.



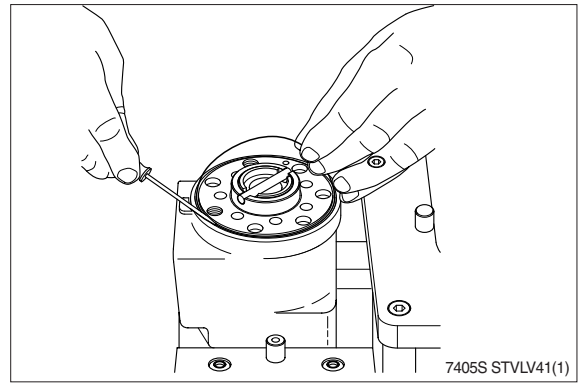
(7) Remove O-ring.



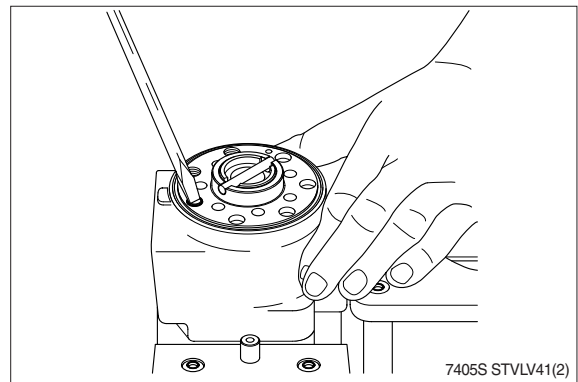
(8) Lift off intermediate plate.



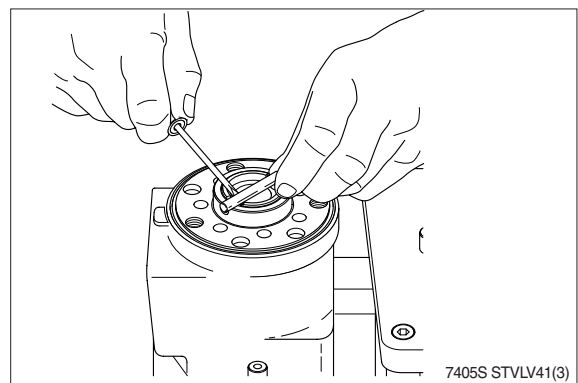
(9) Remove O-ring.



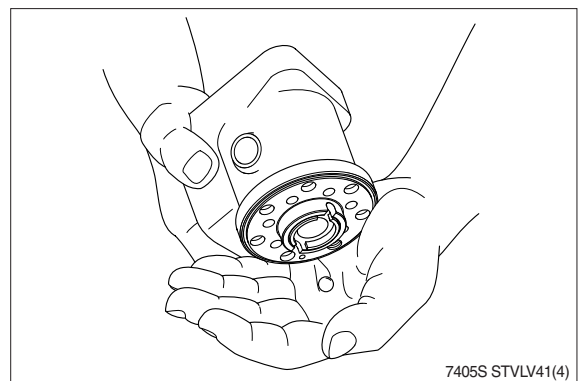
(10) Screw out the threaded bushing.



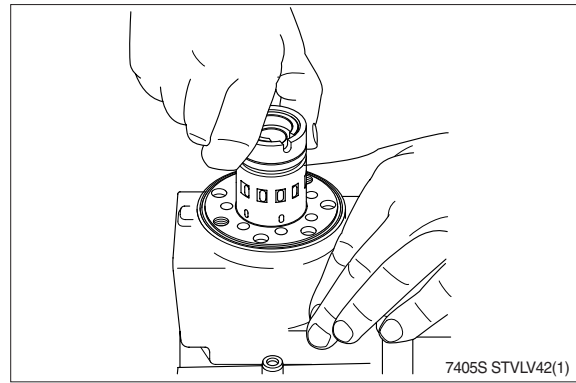
(11) Remove cross pin.



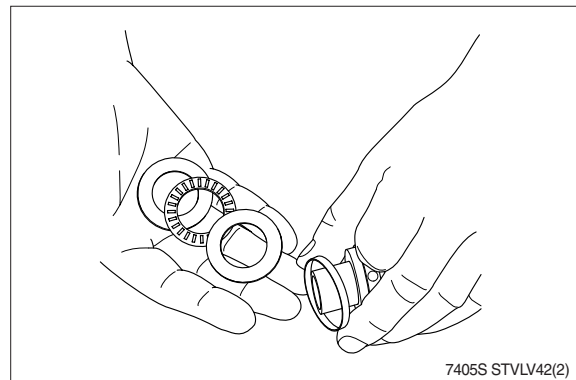
(12) Shake out the ball (\varnothing 8.5 mm).



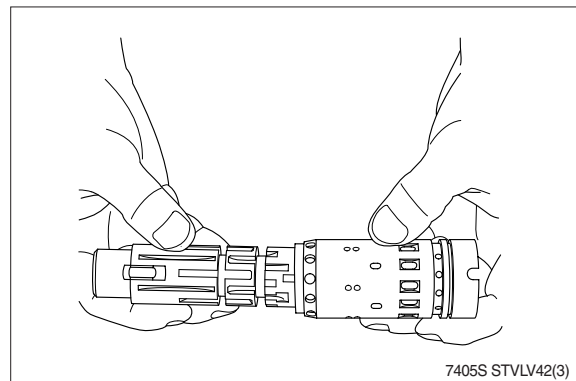
(13) Pull sleeve and spool out of the housing.



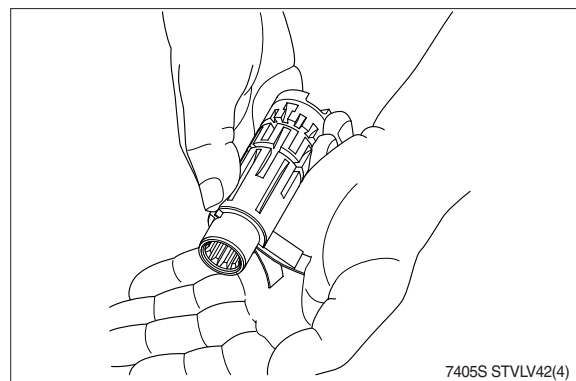
(14) Take ring, bearing races and needle bearing from sleeve and spool. The outer (thin) bearing race can sometimes "stick" in the housing, therefore check that it has come out.



(15) Carefully pull the spool out of the sleeve.



(16) Press the neutral position springs out of their slots in the spool.

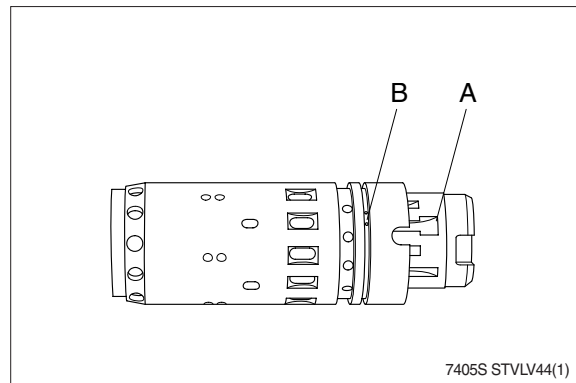


4) ASSEMBLY

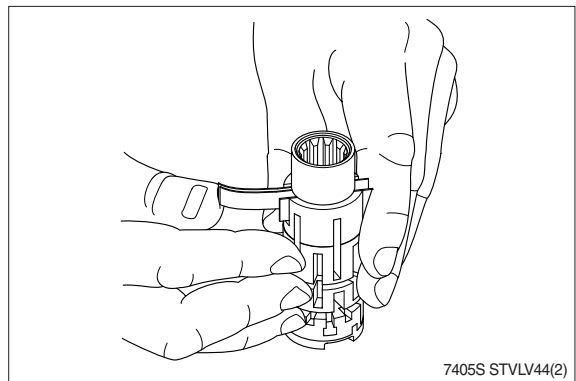
(1) Assemble spool and sleeve.

※ The sleeve and spool are correctly assembled when

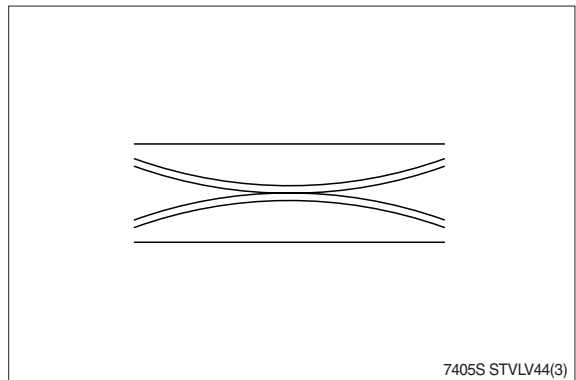
- ① The slots-in sleeve and spool-for the neutral position springs are opposite each other and
- ② One of the 3 T-shaped grooves (A) in the spool is opposite one of the sets (B) of small holes in the sleeve.



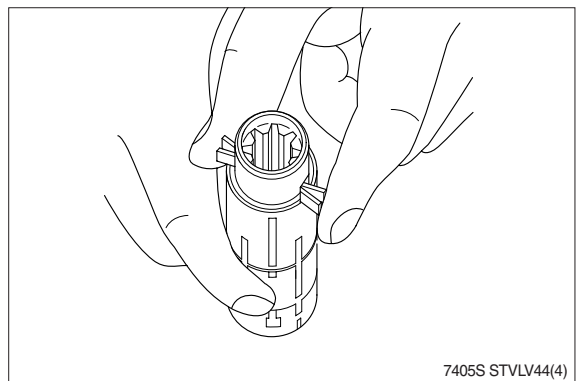
(2) Place the two flat neutral position springs in the slot.



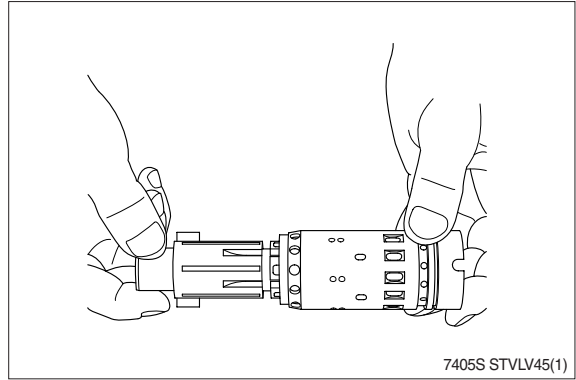
(3) Place the curved springs between the flat ones and press them into place.



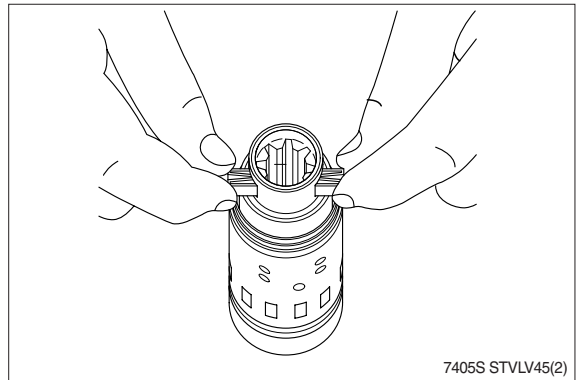
(4) Line up the spring set.



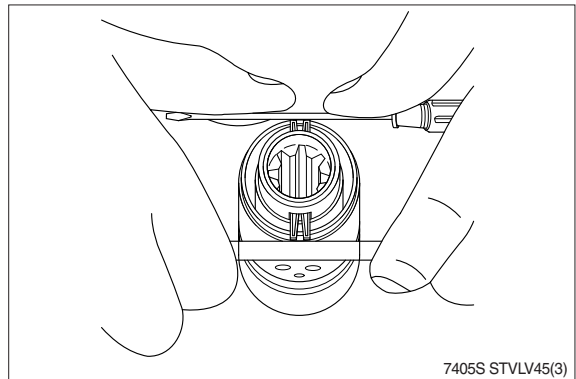
(5) Guide the spool into the sleeve.



(6) Press the springs together and push the neutral position springs into place in the sleeve.

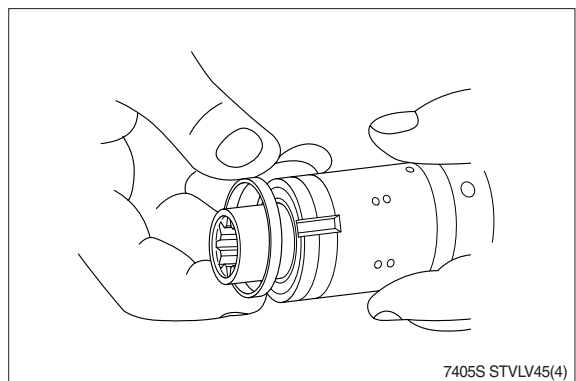


(7) Line up the springs and center them.

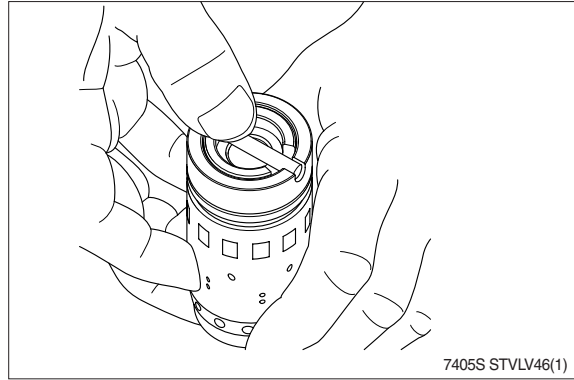


(8) Guide the ring down over the sleeve.

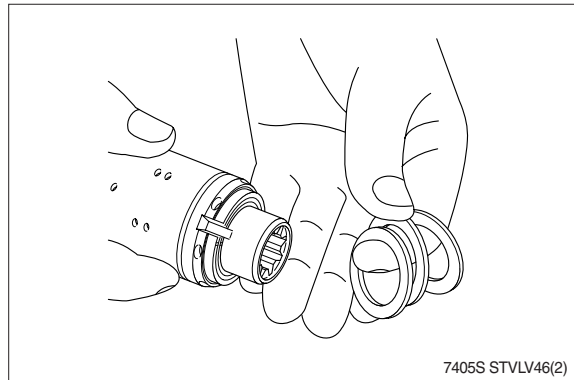
※ The ring should be able to rotate-free of the springs.



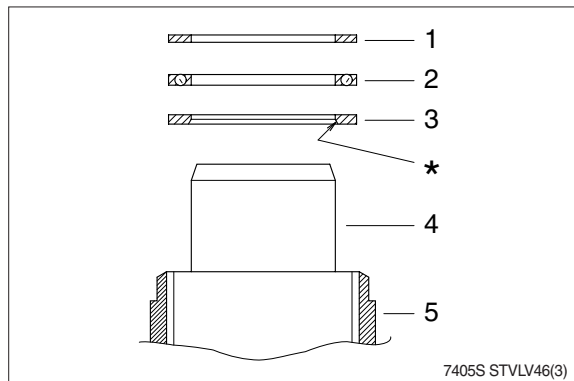
(9) Fit the cross pin into the spool/sleeve.



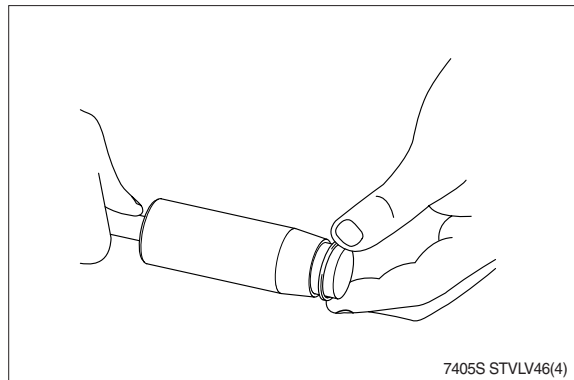
(10) Fit bearing races and needle bearing as shown on below drawing.

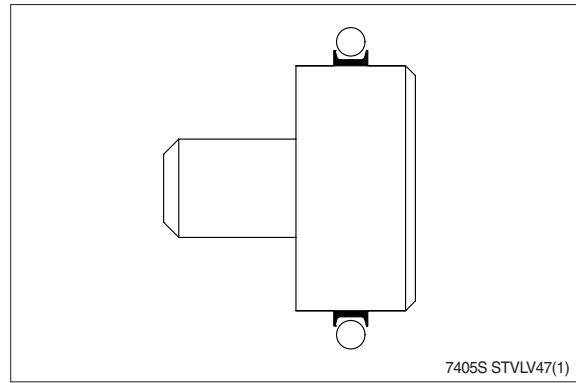


- 1 Outer bearing race
- 2 Needle bearing
- 3 Inner bearing race
- 4 Spool
- 5 Sleeve
- * Inside chamfer on inner bearing race must face inner spool.

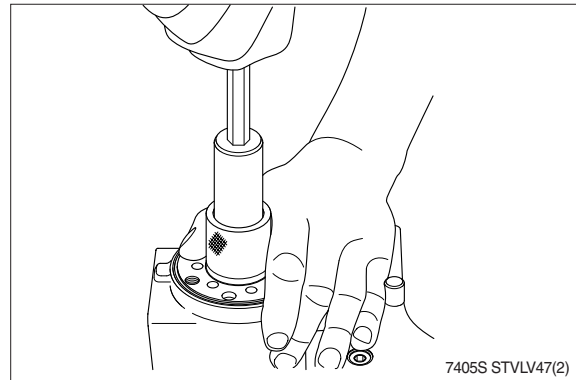


(11) Grease O-ring and kin-ring with hydraulic oil and place them on the tool. See next page.

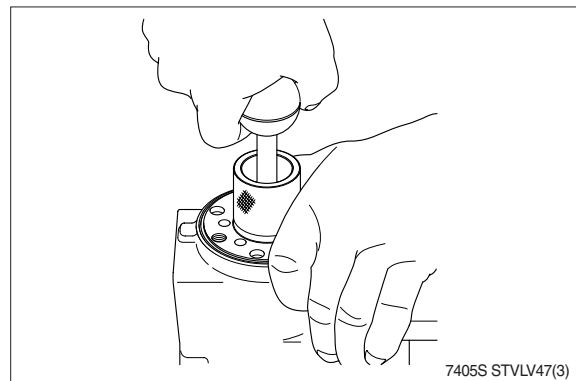




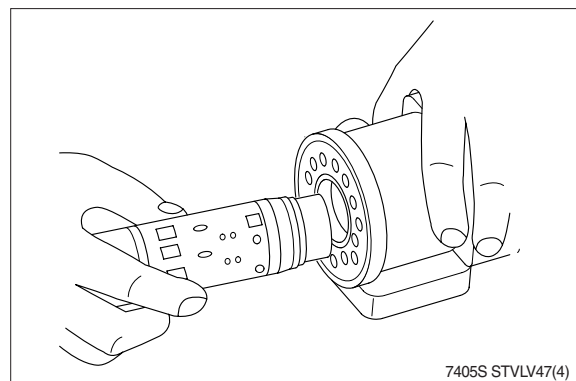
- (12) Put the steering unit in the holding tool keeping the bore vertical. Guide the outer part of the assembly tool into the bore. Guide the inner part of the tool right to the bottom.



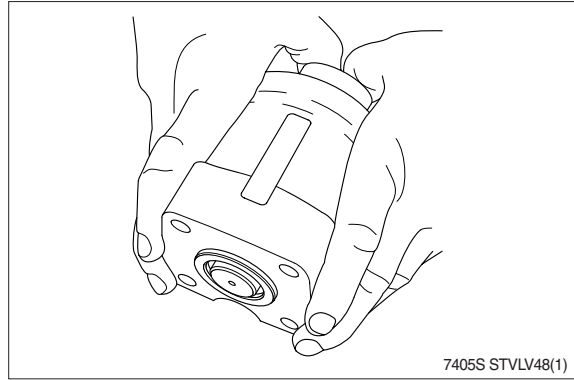
- (13) Press and turn the O-ring into position in the housing. Draw the inner and outer parts of the assembly tool out of the steering unit bore, leaving the guide in the bore.



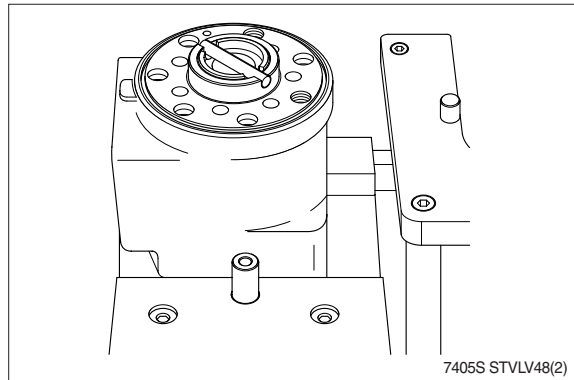
- (14) Take the steering unit out of the holding tool and place it horizontally. With a light turning movement, guide the spool and sleeve into the bore.



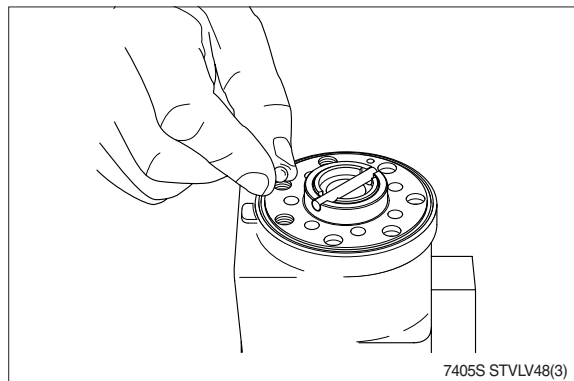
(15) The spool set will push out the assembly tool guide. The O-ring is now in position.



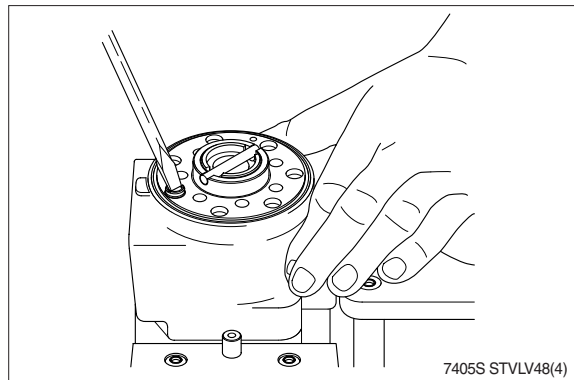
(16) Put the steering unit back into the holding tool keeping the bore vertical. Place the cross pin in the spool/sleeve so that it is parallel to the port flange.



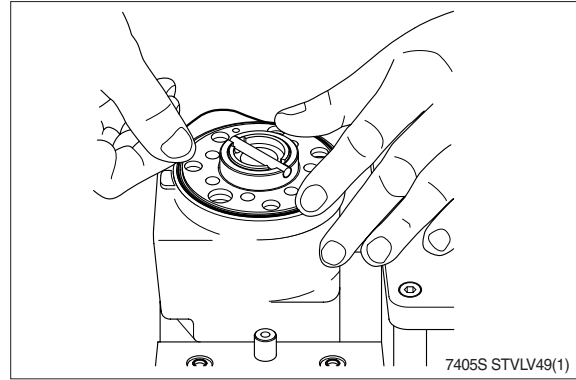
(17) Put the ball into the hole indicated by the arrow.



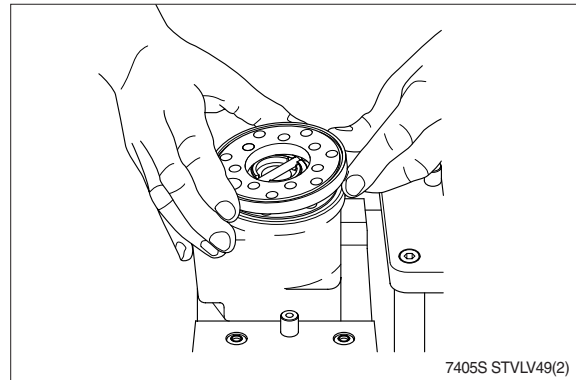
(18) Screw the threaded bushing lightly into the bore. The top of the bushing must lie just below the surface of the housing.



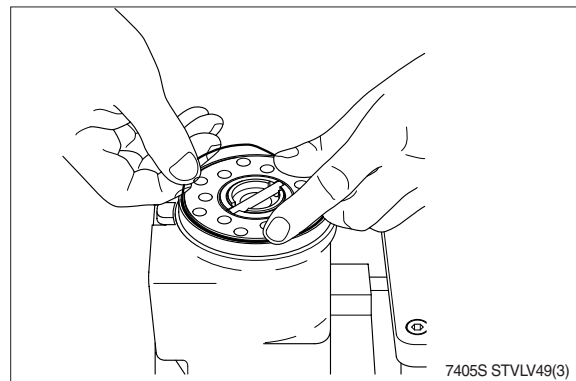
(19) Grease the O-ring with mineral oil approximate viscosity 500 cSt at 20 °C and place it in the groove.



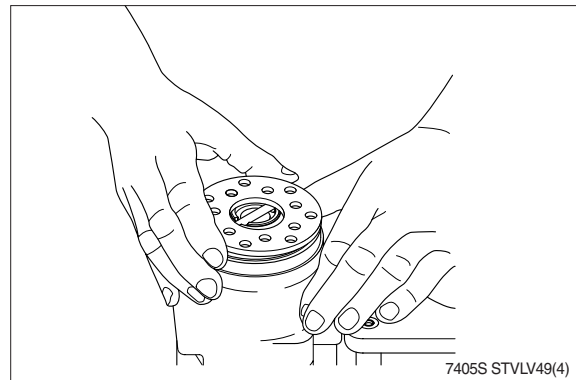
(20) Place the intermediate plate so that the channel holes match the holes in the housing.



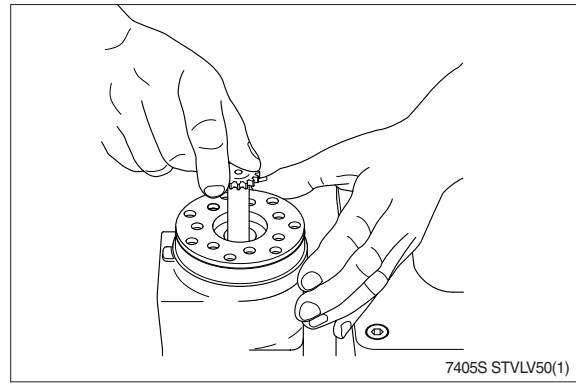
(21) Grease the O-ring with mineral oil approximate viscosity 500 cSt at 20 °C and place it in the groove.



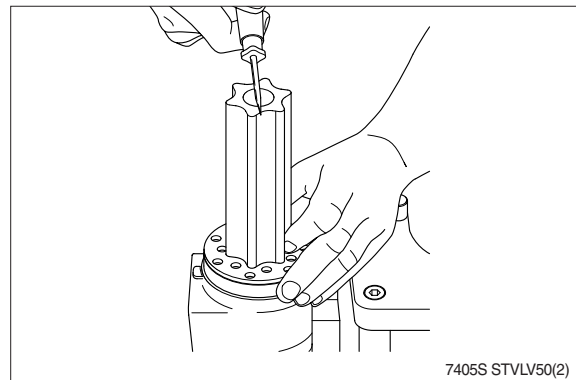
(22) Place the distributor plate so that the channel holes match the holes in the intermediate plate and the housing.



- (23) Guide the cardan shaft down into the bore so that the slot is parallel with the connection flange.

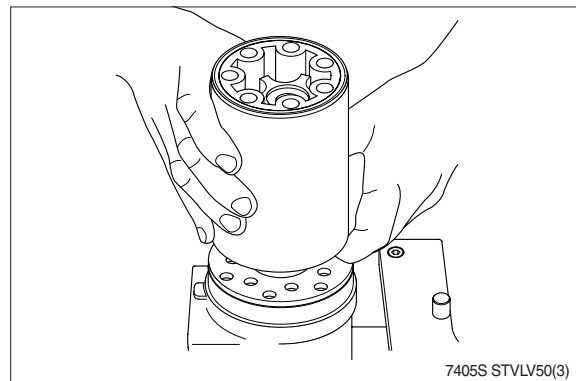


- (24) Place the gear wheel (rotor) so that the cross pin from item 33 is positioned in relation to two tooth bases - as the screw driver indicates.

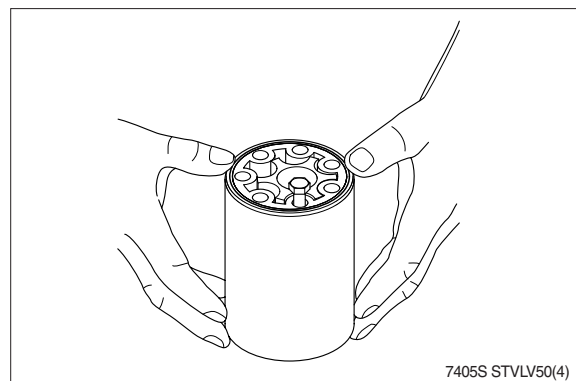


- (25) Grease the two O-rings with mineral oil approximate viscosity 500 cSt at 20 °C and place them in the two grooves in the gear rim. Fit the gear rim so that the seven through holes match the holes in the distributor plate.

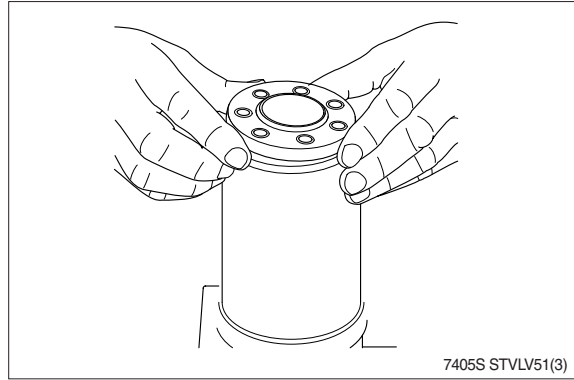
- ※ Turn the gear rim so that the smaller diameter of the holes face the distributor plate.



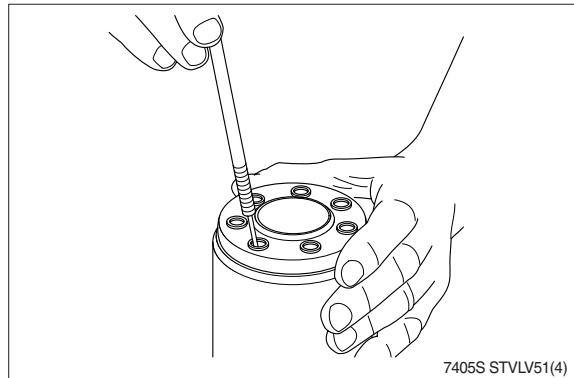
- (26) Orientate the holes with a single screw.



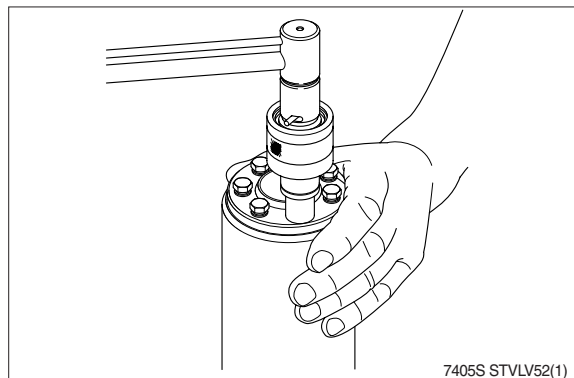
(27) Place the end cover in position.



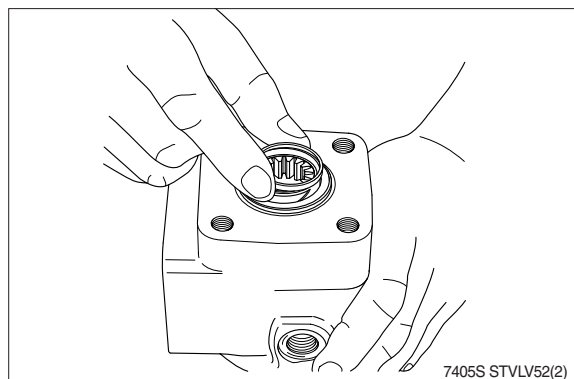
(28) Place the washers over the holes and the rolled pin in the hole shown.



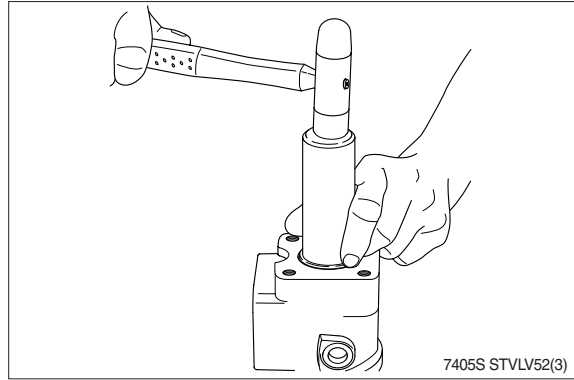
(29) Fit the other six screws. Cross - tighten all the screws and the rolled pin with a torque of $3 \pm 0.6 \text{ kgf} \cdot \text{m}$ ($22 \pm 4.4 \text{ lb} \cdot \text{ft}$). Steering unit can now be function tested.



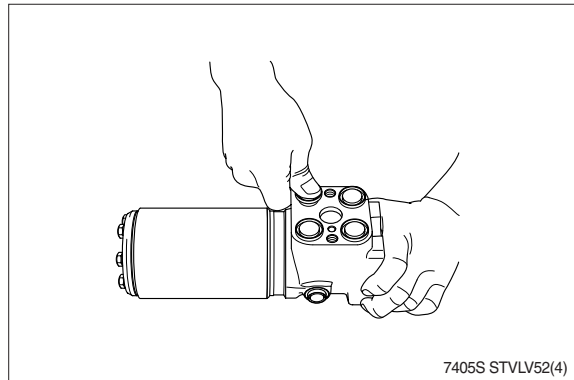
(30) Turn the steering unit 180° and place the dust seal ring in the housing.



(31) Fit the dust seal ring in the housing using special tool and a plastic hammer.

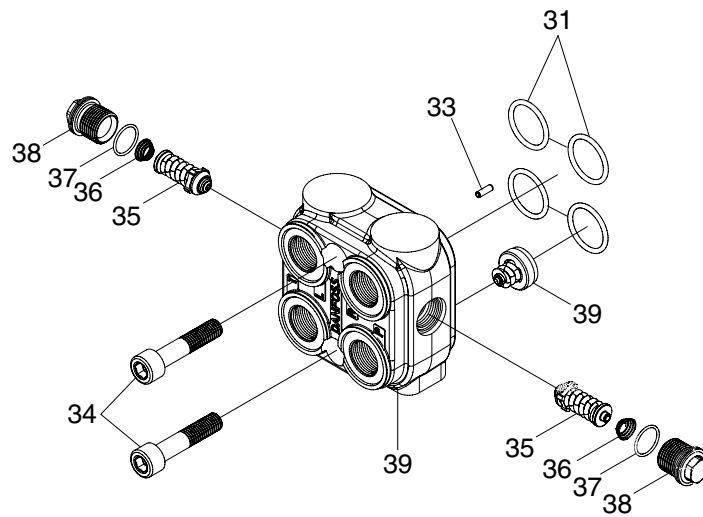


(32) Press the plastic plugs into the connection ports. Do not use a hammer.



2. VALVE BLOCK

1) STRUCTURE



P,T,L,R port	PF 1/2
Shock valves	270-290 bar

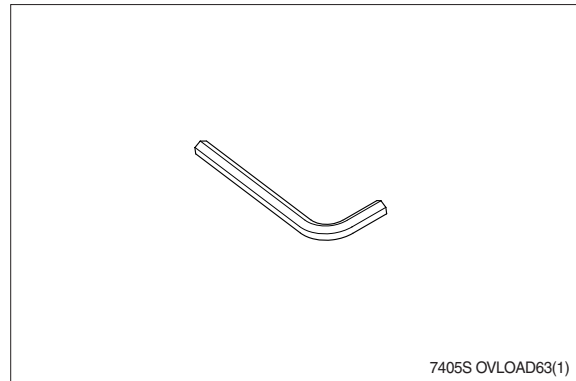
- 31 Set of springs
- 33 Rolled pin
- 34 Screw
- 35 Shock valve

- 36 Spring
- 37 O-ring
- 38 Plug
- 39 Housing and check valve

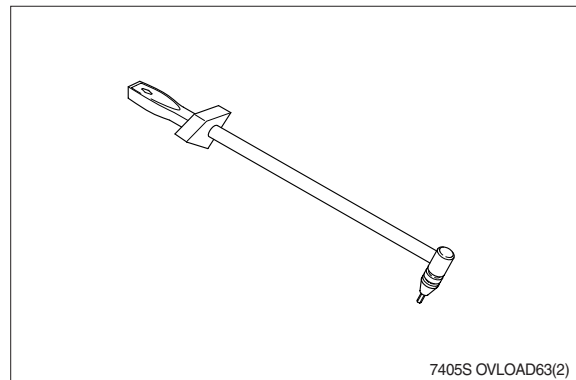
7407SE12

2) TOOLS

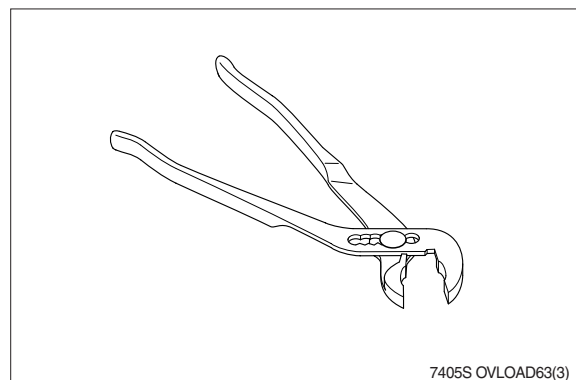
(1) Hexagon socket spanner, 8 mm.



(2) Torque wrench, 0~7.1 kgf · m (0~51 lb · ft)
with 8 mm hexagon socket spanner.

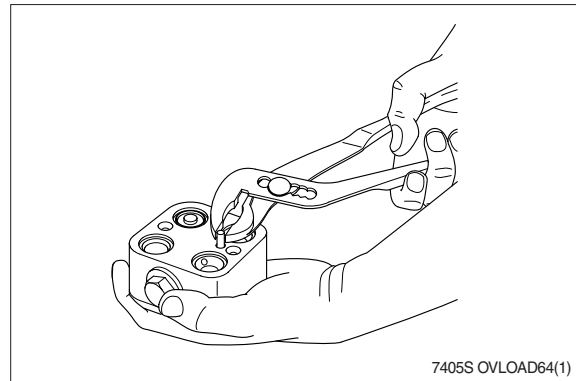


(3) Adjustable wrench.

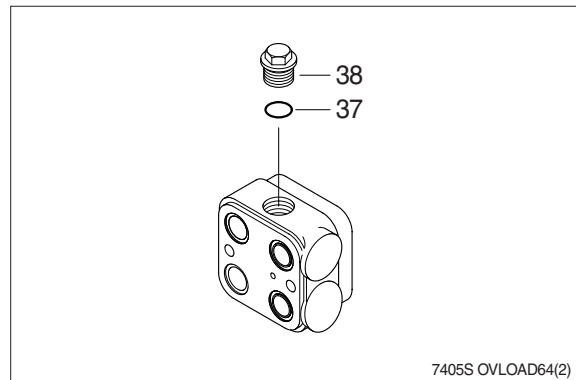


3) DISASSEMBLY

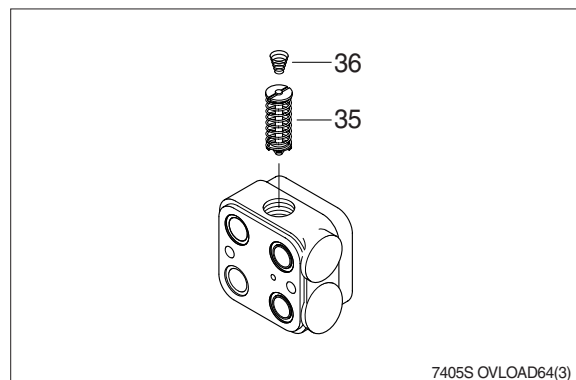
(1) Remove the rolled pin.



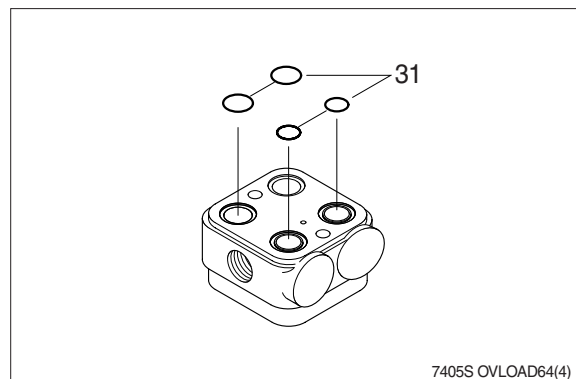
(2) Remove the plug (38) and O-ring (37).



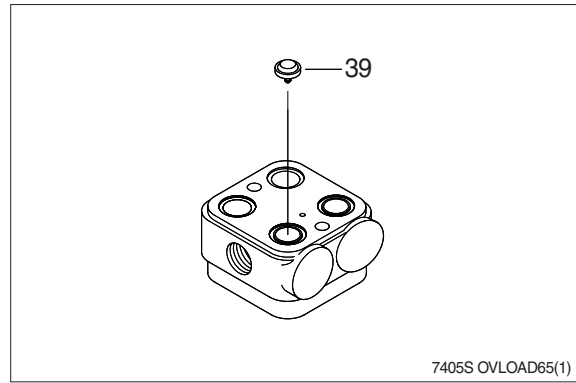
(3) Remove the spring (36) and shock valve (35).



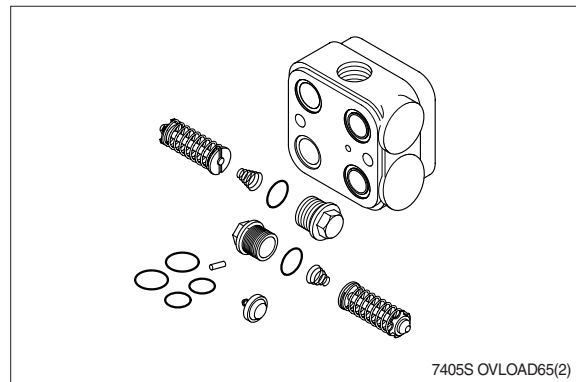
(4) Remove the O-ring set (31).



(5) Remove the check valve (39).



(6) The overload valve is now disassembled.



4) ASSEMBLY

Cleaning

Clean all parts carefully in Shellsol K or the like.

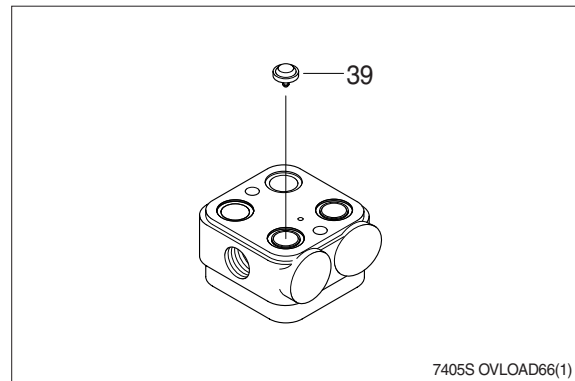
Inspection an replacement

Replace all seals and washers. Check all parts carefully and make any replacements necessary.

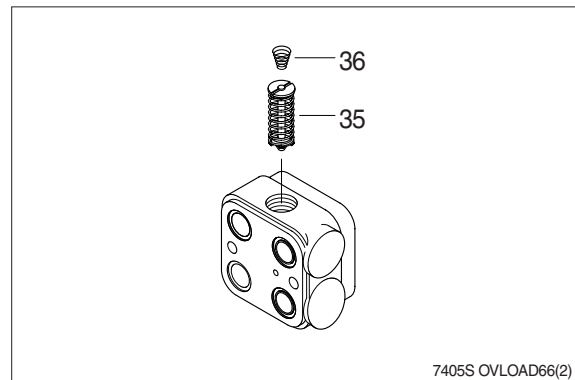
Lubrication

Before assembly, lubricate all parts with hydraulic oil.

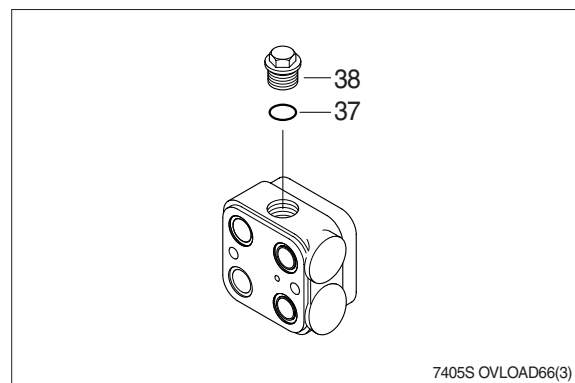
(1) Fit check valve (39).



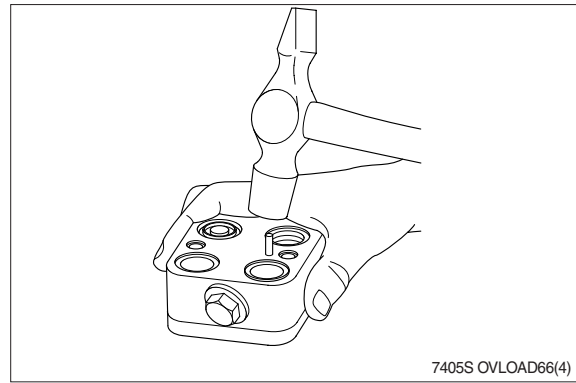
(2) Fit the shock valve (35) and spring (36).



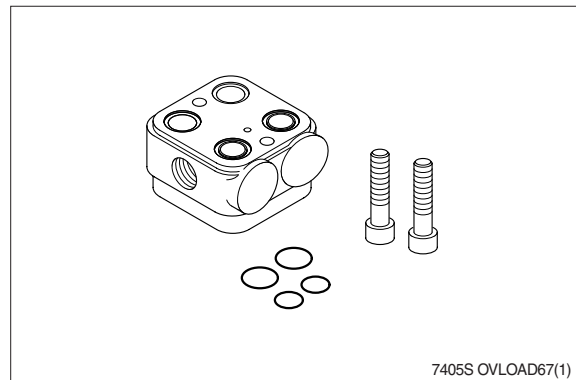
(3) Fit the O-ring (37) and screw the plug (38).



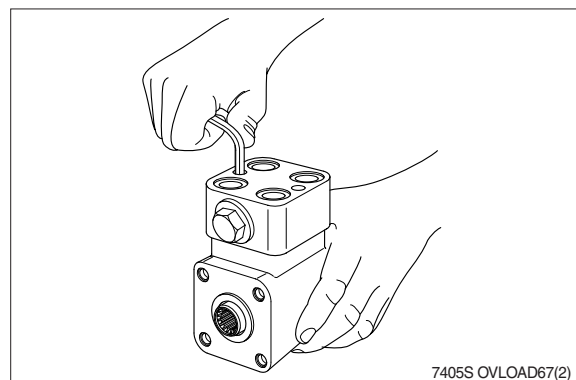
(4) Fit the rolled pin.



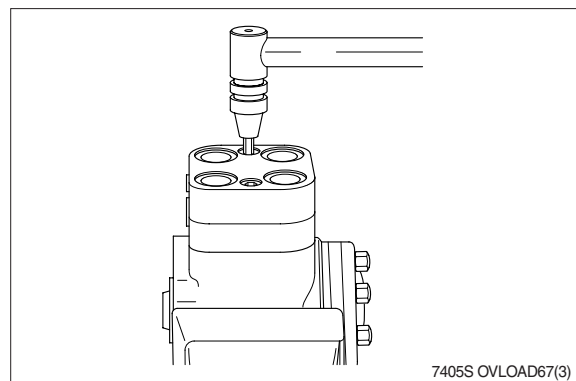
(5) The overload valve is now assembled. It can be checked for leakage separately or when mounted on a steering unit.



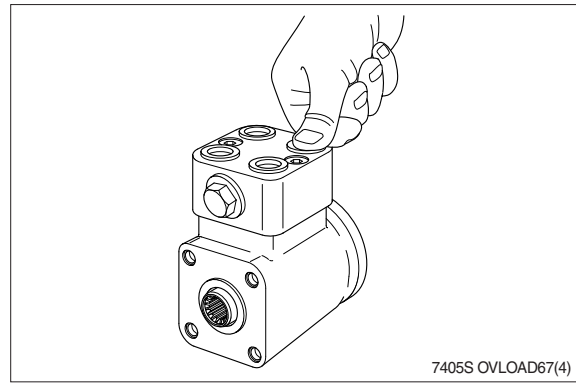
(6) Locate the four O-rings between overload valve and steering unit and fit these components together.



(7) Tighten the hexagon socket screws with a torque of $6.6^{+0.5}_0$ kgf · m ($47.7^{+3.6}_0$ lb · ft).



(8) Press the plastic plugs into the connection ports. The overload valve is now assembled.

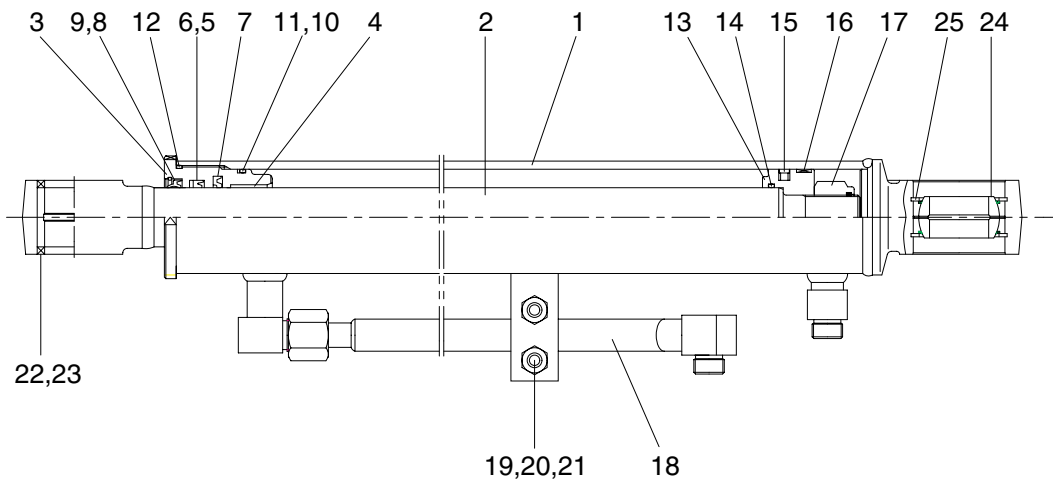


5) TROUBLESHOOTING

Problem	Cause	Remedy
Steering wheel is heavy	<ol style="list-style-type: none"> 1. Over tighten mounting torque. 2. Over load valve seat side is clogged with dirt. 	<p>Retighten as specified torque.</p> <p>Disassembly, clean, reassembly.</p>
Steering cylinder reaction is bad	<ol style="list-style-type: none"> 1. Overload valve seat side is clogged with dirt. 2. Anti cavitation check valve seat is clogged with dirt. 3. Damage of O-ring for adjusting. 	<p>Disassembly, clean, reassembly.</p> <p>Disassembly, clean, reassembly.</p> <p>Replace.</p>
Abnormal noise	<ol style="list-style-type: none"> 1. Overload valve seat side clogged with dirt. 	<p>Disassembly, clean, reassembly.</p>
Leakage	<ol style="list-style-type: none"> 1. Loosen 2 mounting bolt. 2. Damage of O-ring. 3. Leakage through plug. 	<p>Retighten as specified torque.</p> <p>Replace.</p> <p>Apply seal tape to thread and retighten as specified torque.</p>

3. STEERING CYLINDER

1) STRUCTURE

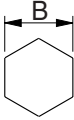


7407SE07

- | | | | | | |
|---|--------------|----|--------------|----|-------------------|
| 1 | Tube assy | 10 | O-ring | 18 | Pipe assy |
| 2 | Rod assy | 11 | Back up ring | 19 | U-bolt |
| 3 | Gland | 12 | O-ring | 20 | Hexagon nut |
| 4 | Du bushing | 13 | Piston | 21 | Washer spring |
| 5 | Rod seal | 14 | O-ring | 22 | Bushing |
| 6 | Back up ring | 15 | Piston seal | 23 | Dust seal |
| 7 | Buffer ring | 16 | Wear ring | 24 | Spherical bearing |
| 8 | Dust wiper | 17 | Nylon nut | 25 | Retaining ring |
| 9 | Snap ring | | | | |

2) TOOLS AND TIGHTENING TORQUE

(1) Tools

Tool name	Remark	
Spanner	17	
	32	
	41	
Steel bar	For gland	
(-) Driver	Small and large sizes	
Torque wrench	Capable of tightening with the specified torques	

(2) Tightening torque

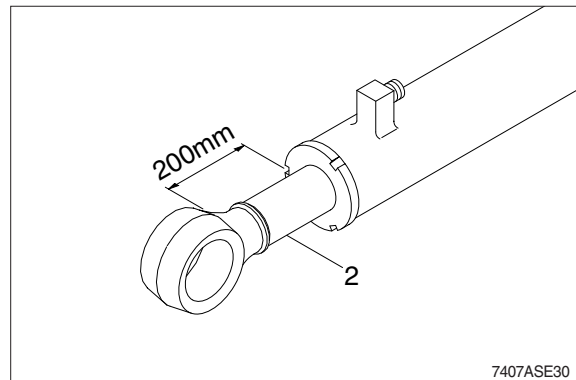
Part name	Item	Size	Torque	
			kgf · m	lbf · ft
Gland	3	M70 × 2.0	70 ± 7	506 ± 51
Piston	13	M27 × 2.0	75 ± 8	542 ± 58
Nut(Pipe assy)	18	M22 × 1.5	30 ± 3	217 ± 21.7
Nut	20	M10 × 1.5	3.2 ± 0.3	23.1 ± 2.2

3) DISASSEMBLY

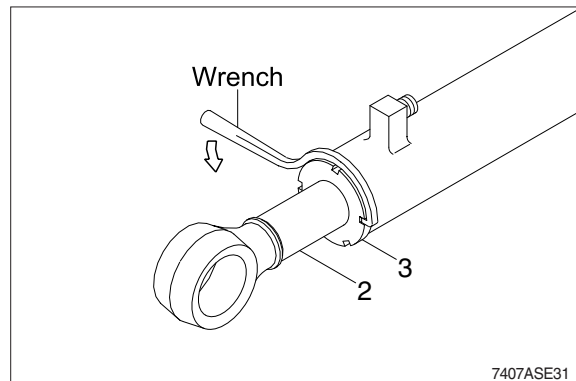
(1) Remove cylinder head and piston rod

- ① Hold the clevis section of the tube in a vise.
- * Use mouth pieces so as not to damage the machined surface of the cylinder tube. Do not make use of the outside piping as a locking means.

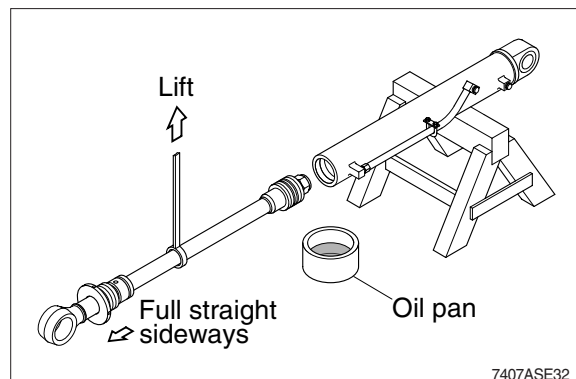
- ② Pull out piston rod (2) about 200 mm (7.1 in). Because the piston rod is rather heavy, finish extending it with air pressure after the oil draining operation.



- ③ Loosen and remove the gland (3).
- * Cover the extracted piston rod (2) with rag to prevent it from being accidentally damaged during operation.

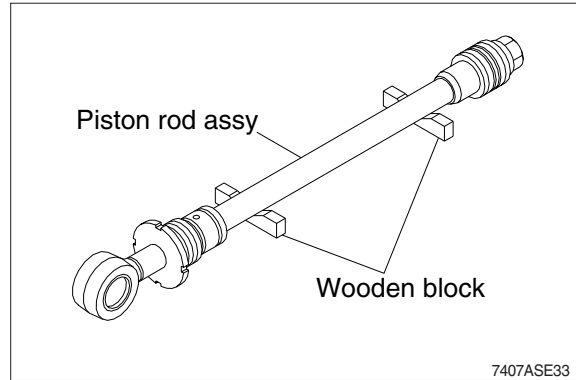


- ④ Draw out gland (3) and piston rod (2) assembly together from cylinder tube (1).
- * Since the piston rod assembly is heavy in this case, lift the tip of the piston rod (2) with a crane or some means and draw it out. However, when piston rod (2) has been drawn out to approximately two thirds of its length, lift it in its center to draw it completely.



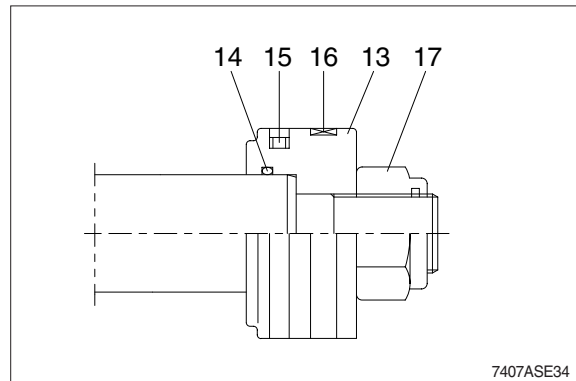
- ※ Note that the plated surface of piston rod (2) is to be lifted. For this reason, do not use a wire sling and others that may damage it, but use a strong cloth belt or a rope.

- ⑤ Place the removed piston rod assembly on a wooden V-block that is set level.
- ※ Cover a V-block with soft rag.



(2) Remove piston and gland assembly

- ① Remove the nylon nut (17).
- ② Remove piston assembly (13), and O-ring (14).

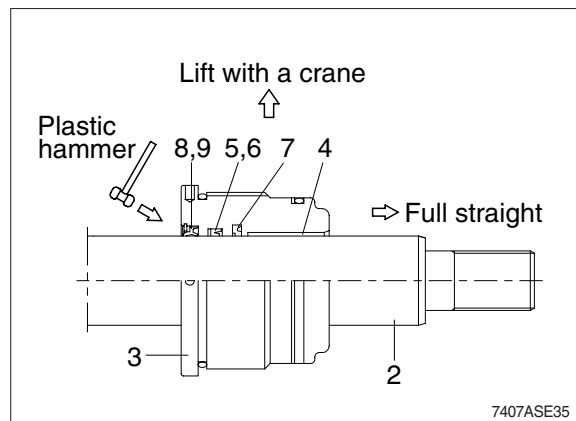


- ④ Remove the gland (3) assembly from piston rod (2).

- ※ If it is too heavy to move, move it by striking the flanged part of gland (3) with a plastic hammer.

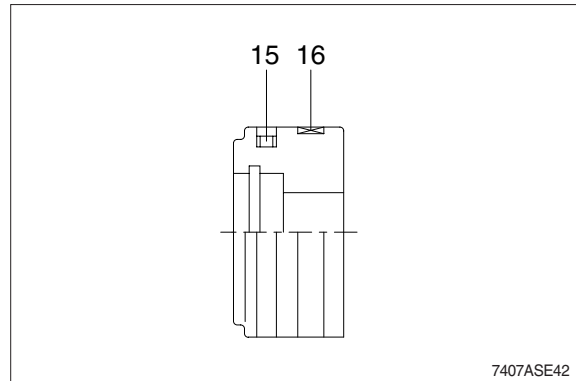
- ※ Pull it straight with cylinder head assembly lifted with a crane.

Exercise care so as not to damage the lip of rod bushing (4) and packing (5,6,7,8,9) by the threads of piston rod (2).



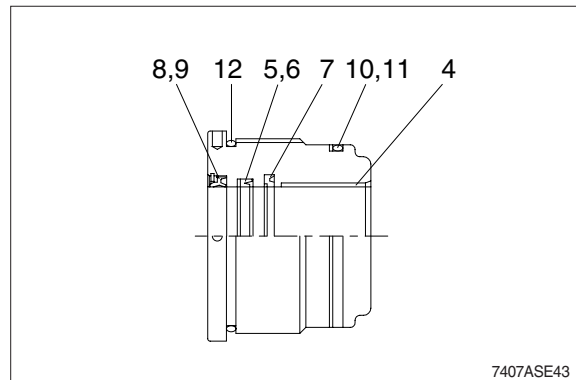
(3) Disassemble the piston assembly

- ① Remove wear ring (16) and piston seal (15).
- ※ Exercise care in this operation not to damage the grooves.



(4) Disassemble gland assembly

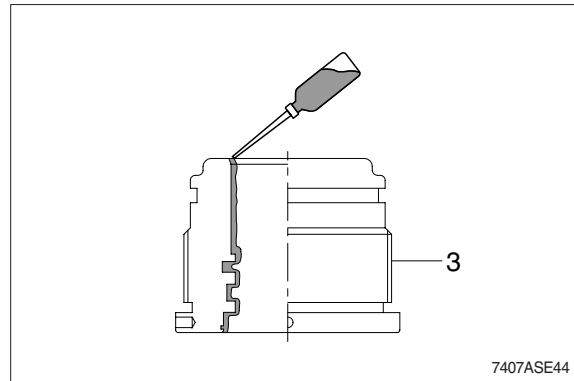
- ① Remove back up ring (11), and O-ring (10).
 - ② Remove O-ring (12).
 - ③ Remove snap ring (9) and dust wiper (8).
 - ④ Remove back up ring (6), rod seal (5).
 - ⑤ Remove buffer ring (7).
- ※ Exercise care in this operation not to damage the grooves.
- ※ Do not remove seal and ring, if does not damaged.



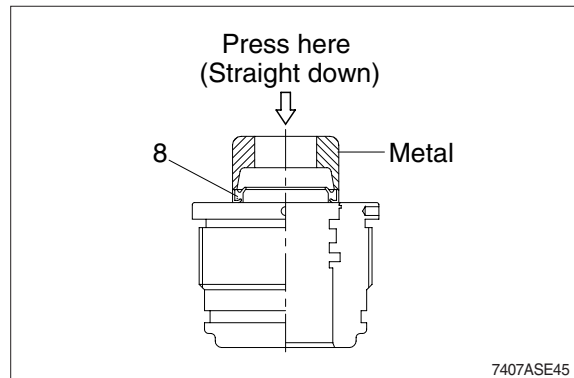
4) ASSEMBLY

(1) Assemble gland assembly

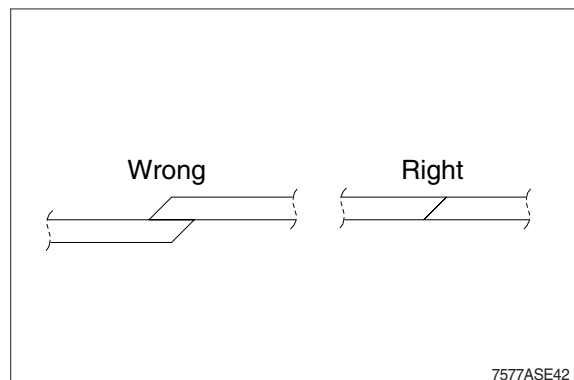
- * Check for scratches or rough surfaces if found smooth with an oil stone.
- ① Coat the inner face of gland (3) with hydraulic oil.



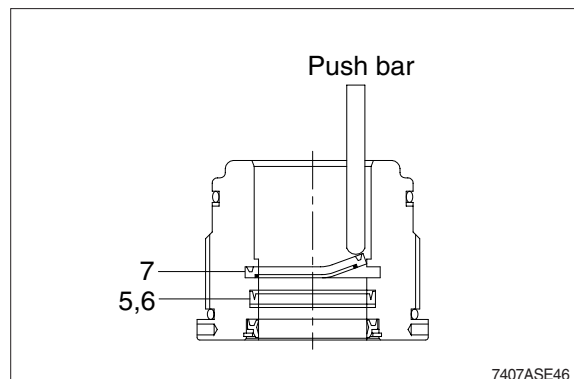
- ② Coat dust wiper (8) with grease and fit dust wiper (8) to the bottom of the hole of dust wiper.
At this time, press a pad metal to the metal ring of dust seal.
- ③ Fit snap ring (9) to the stop face.



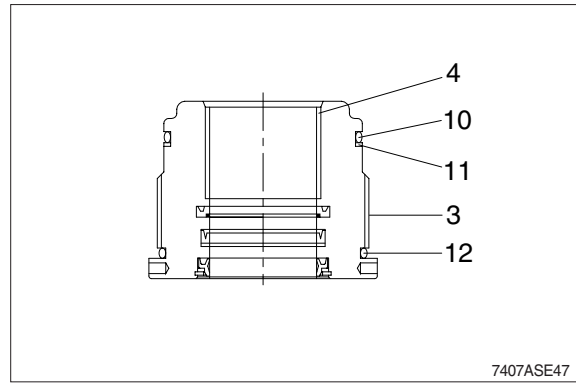
- ④ Fit back up ring (6) and rod seal (5) to corresponding grooves, in that order.
- ⑤ Fit buffer ring (7).
- * Coat each packing with hydraulic oil before fitting it.
- * Insert the backup ring until outside of it is inserted into groove.



- * Rod seal (5) has its own fitting direction. Therefore, confirm it before fitting them.
- * Fitting rod seal (5) and buffer ring (7) up side down may damage its lip. Therefore check the correct direction that is shown in fig.

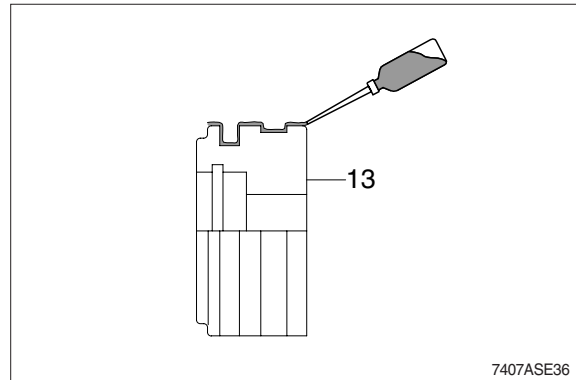


- ⑥ Fit back up ring (11) to gland (3).
- ※ Put the backup ring in the warm water of 30~50°C.
- ⑦ Fit O-ring (10) to gland (3).
- ⑧ Fit bushing (4) to gland (3).

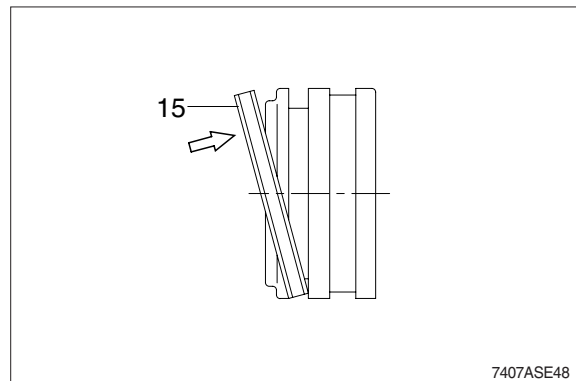


(2) Assemble piston assembly

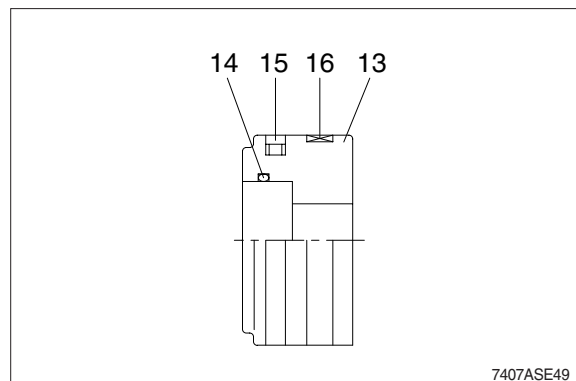
- ※ Check for scratches or rough surfaces. If found smooth with an oil stone.
- ① Coat the outer face of piston (13) with hydraulic oil.



- ② Fit piston seal (15) to piston
- ※ Put the piston seal in the warm water of 60~100°C for more than 5 minutes.
- ※ After assembling the piston seal, press its outer diameter to fit in.

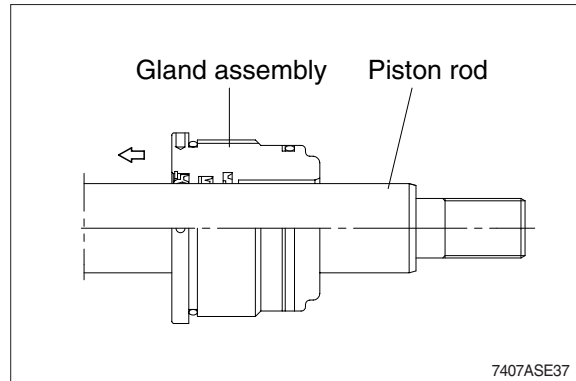


- ③ Fit wear ring (16) to piston (13).
- ④ Fit O-ring (14) to piston (13).

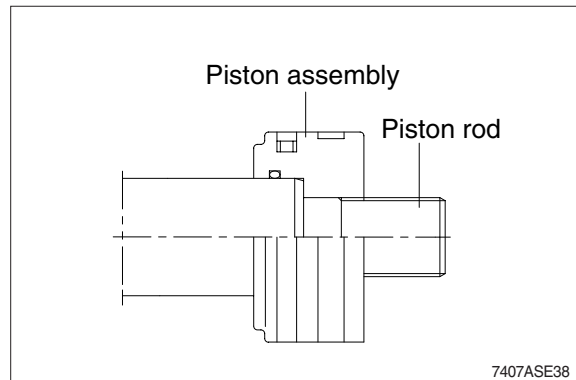


(3) Install piston and gland assembly

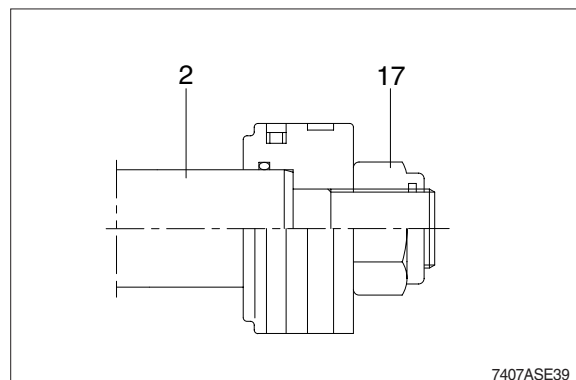
- ① Fix the piston rod assembly to the work bench.
- ② Apply hydraulic oil to the outer surface of piston rod (2), the inner surface of piston and gland.
- ③ Insert gland assembly to piston rod (2).
 - Tightening torque : $70 \pm 7\text{kgf} \cdot \text{m}$
($506 \pm 51\text{lb} \cdot \text{ft}$)



- ④ Fit piston assembly to piston rod.
 - Tightening torque : $75 \pm 8\text{kgf} \cdot \text{m}$
($542 \pm 58\text{lb} \cdot \text{ft}$)

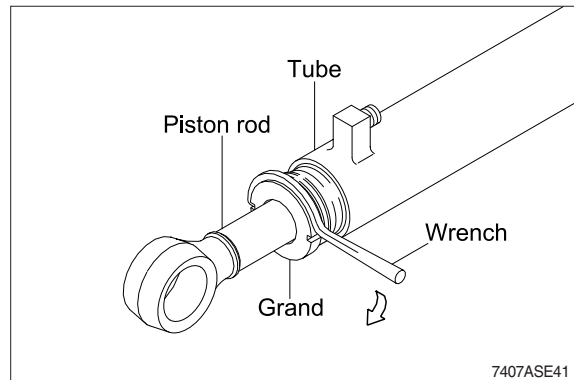
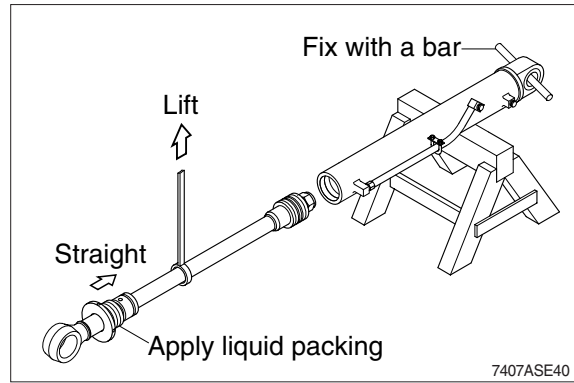


- ⑤ Tighten nylon nut(17) to piston rod(2).



(4) Overall assemble

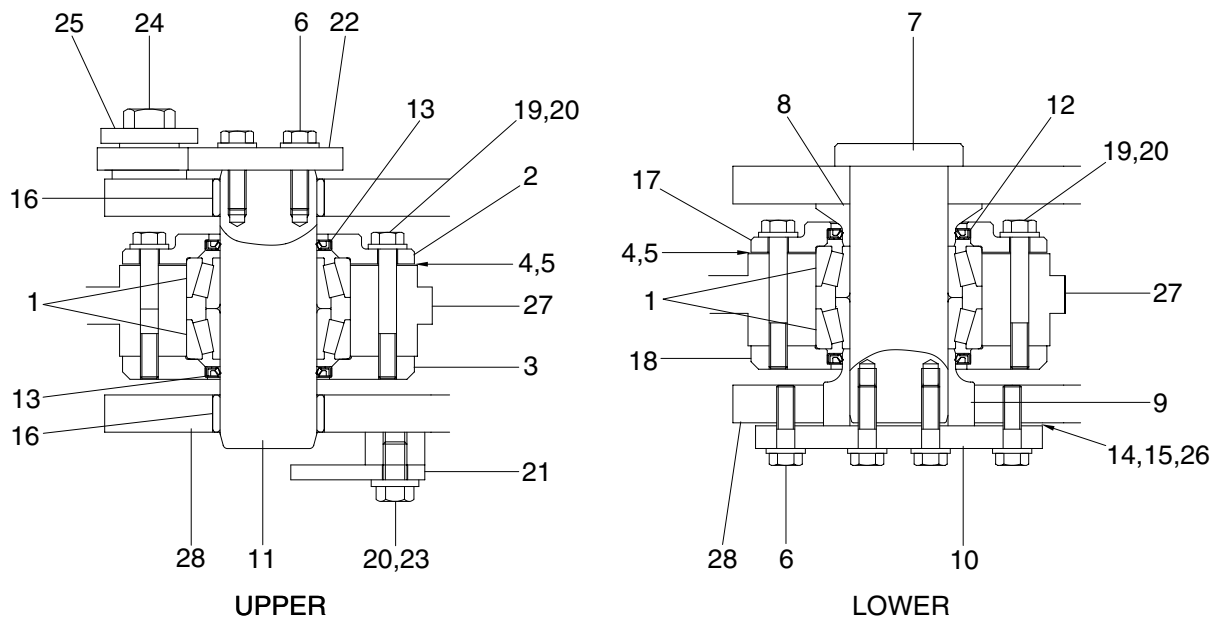
- ① Place a V-block on a rigid work bench.
Mount the cylinder tube assembly (1) on it and fix the assembly by passing a bar through the clevis pin hole to lock the assembly.
- ② Insert the piston rod assembly in to the cylinder tube assembly, while lifting and moving the piston rod assembly with a crane.
 - ※ Be careful not to damage piston seal by thread of cylinder tube.
- ③ Match the bolts holes in the cylinder head flange to the tapped holes in the cylinder tube assembly and tighten socket bolts to a specified torque.
 - ※ Refer to the table of tightening torque.



4. CENTER PIVOT PIN

1) CONSTRUCTION

Figure shows the construction of the center pivot pin assembly. This assembly serves to connect the front frame with the rear frame; two sets of assemblies are provided, one each for the upper and lower parts. The numbers in parentheses following the parts name denote the item numbers shown in the figure in the disassembly and assembly procedures.



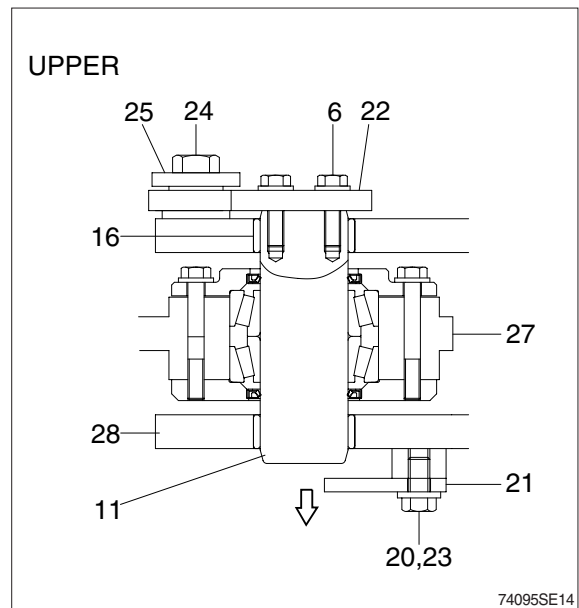
74095SE13

1	Bearing	11	Pin	21	Plate
2	Cover	12	Dust seal	22	Plate
3	Cover	13	Dust seal	23	Hexagon bolt
4	Shim (0.1 t)	14	Shim (0.1 t)	24	Hexagon bolt
5	Shim (0.5 t)	15	Shim (0.5 t)	25	Hardened washer
6	Bolt-w/washer	16	Bushing	26	Shim (2.0 t)
7	Pin	17	Cover	27	Front frame
8	Collar	18	Cover	28	Rear frame
9	Collar	19	Hexagon bolt		
10	Plate	20	Hardened washer		

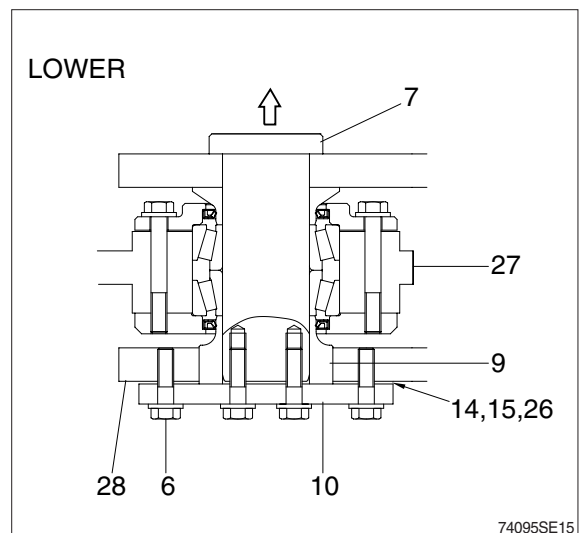
2) DISASSEMBLY

After supporting the front frame and the rear frame as horizontally as possible using wood blocks and jacks, disassemble as follows: In order to facilitate the disassembly/assembly of the center pivot pins, remove the drive shaft, hydraulic line and steering cylinder first.

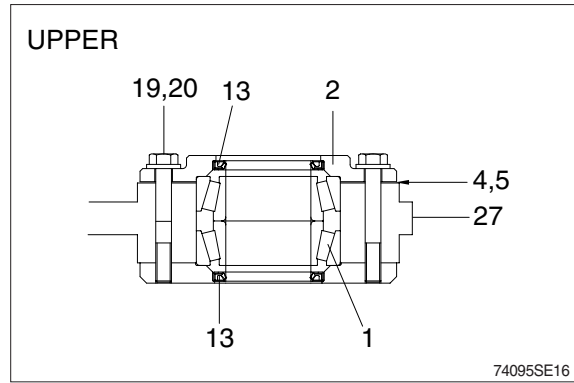
- (1) Maintain the horizontal level of front frame (27) and rear frame (28), and then remove hexagon bolt (6, 23, 24), washer (20, 25) and plate (21, 22).
- (2) Take out upper pin (11) to the downside using a metal punch.



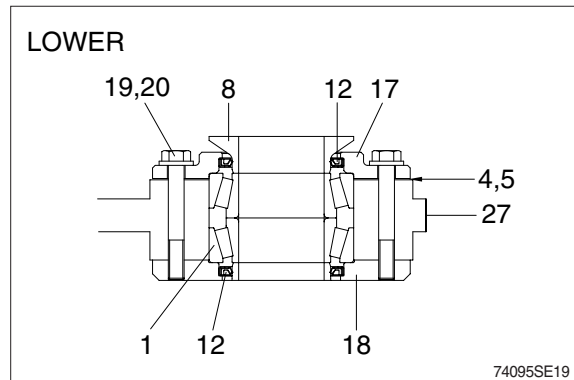
- (3) Maintain the front frame horizontal level, remove hexagon bolts (6) and then remove the plate (10) and shims (14, 15, 26).
- (4) Take out lower pin (7) to the upside using a metal punch carefully.
- (5) Jack up or lifting the front frame (27) slightly, the collar (9) protrudes over the rear frame. Remove the collar (9).
- (6) Lift the frame by passing the slinging wire rope at four positions of front frame, in order to separate it from the rear frame.
- (7) Support the front frame safely.



- (8) Remove bolt (19), washer (20) and then take out cover (2) and shims (4, 5).
- (9) Take out dust seal (13) from the cover (2).
- (10) Remove the bearing (1), and dust seal (13).



- (11) Remove bolt (19), washer (20) and then take out cover (17, 18) and shims (4, 5).
- (12) Take out the dust seal (12) from the cover (17, 18).
- (13) Remove the bearing (1) and collar (8).

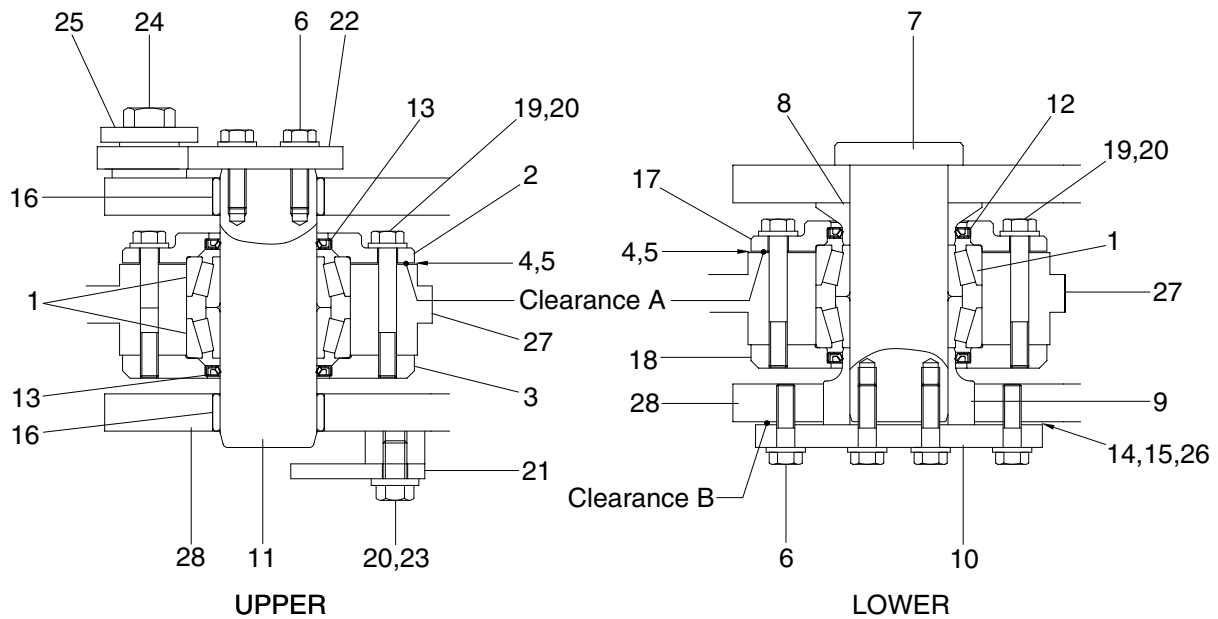


3) INSPECTION

- (1) Check the bearing sliding surface for excessive wear, scorching or scratches; replace if necessary.
- (2) Replace all dust seals (12,13) with new ones.
- (3) Grind any pins (7, 11) dented with an oilstone or replace any pins abrasive excessively.
- (4) Check inside cover (2, 3, 17, 18) and collar (8, 9) for dents or scratches; if any damage is found, correct with a grinder or replace.
- (5) The serviceable limit of pins and bushings is shown in the table below. Unit : mm

Item No.	Name	Std dimension	Serviceable limit			Remedy
			Outer dia	Inner dia	Clearance	
7, 11	Pin	65	64.5		0.8	Replace
1	Tapered roller bearing			65.5		
8, 9	Collar			65.5		
12, 13	Dust seal	When removed				Replace

4) ASSEMBLY



74095SE20

Assemble the center pivot group by reversing the order of disassembly while paying close attention to the following.

- (1) Put the dust seal (12,13) into cover (2, 3, 17, 18).
 - ※ Apply grease to the lip of the dust seal. Insert the dust seal so that the dust seal lip faces out and punch four places on the outer circumference of the seal to lock it.
- (2) Lower the temperature of the lower bearing cup to $-75 \pm 5^{\circ}\text{C}$ ($-103 \pm 9^{\circ}\text{F}$) and install it to front frame until it contacts the bottom of the frame.
- (3) Place the cover (3, 18).
- (4) Coat lightly with oil and install lower bearing in bore in front frame. Coat lightly with oil and install upper bearing in bore in upper front frame.
- (5) Place the cover (2, 17) and hold in place with bolt (19). At this time, adjust shims (4, 5) to press the shoulder of bearing (1) against retainer.
 - **Adjustment method of clearance A**
 - ① Install bearing (1) and cover (2, 17) without shim (4, 5)
Install four of bolt (19) so that each bolt is separated by 90 degrees.
 - Tightening torque : 0.8~1.0 kgf · m (5.8~7.2 lbf · ft)
 - ② Adjust shims (4, 5) in order to control the clearance A.
 - Clearance A : Below 0.1 mm
 - Shim thickness : 0.1 mm, 0.5 mm

- (5) Apply grease to lower collar (8) and insert it to the lower of roller bearing.
- (6) After setting the bearing so that its upper surface is horizontal, tighten the all the bolt (19).
After tightening, confirm that tapered roller bearing moves lightly ; if does not move smoothly, add shims (4, 5).
- Tightening Torque : 9.8~15.8 kgf · m (70.9~114 lbf · ft)
 - Apply loctite #243.
- (7) Move the front frame and join it to the rear frame so that match the pin hole at the center.
- (8) Apply grease to pin (11), bushing (16) and insert it into tapered roller bearing (1).
- (9) Apply grease to lower collar (9) and insert it to the lower of roller bearing through rear frame (28).
- (10) Apply grease to pin (7) and insert it into tapered roller bearing (1).
- (11) Before tightening bolt (6), adjust shims (14, 15) in order to control the clearance between the plate (21) and rear frame (28).
- **Adjustment method of clearance B**
 - ① Install pin (7) and plate (21) without shim (14,15, 26).
Install four of bolt (6) so that each bolt is separated by 90 degrees.
 - Tighting torque : 0.8~1.0 kgf · m (5.8~7.2 lbf · ft)
 - ② Adjust shims in order to control the clearance B.
 - Clearance B : 0.1~0.2 mm
 - Shim thickness : 0.1 mm, 0.5 mm, 2.0 mm
- (12) Tighten the all the bolts (6).
- Tightening Torque : 9.8~15.8 kgf · m (70.9~114 lbf · ft)
 - Apply loctite #243.

5) TROUBLESHOOTING

Trouble	Probable cause	Remed
Shock is felt when steering	Capscrew for fixing steering valve is loose	Retighten
	Faulty center pivot pin mounting bolts	Retighten
	Center pivot pins have worn out	Readjust or replace
	Faulty hydraulic system	See hydraulic system
Shock is felt when moving backward or forward	Fault fixing of connecting capscrews	Retighten
	Center pins have worn out	Readjust or replace
	Bearings of support unit have worn out	Retighten
	Drive shaft damaged	See drive system
	Faulty transmission	See transmission system