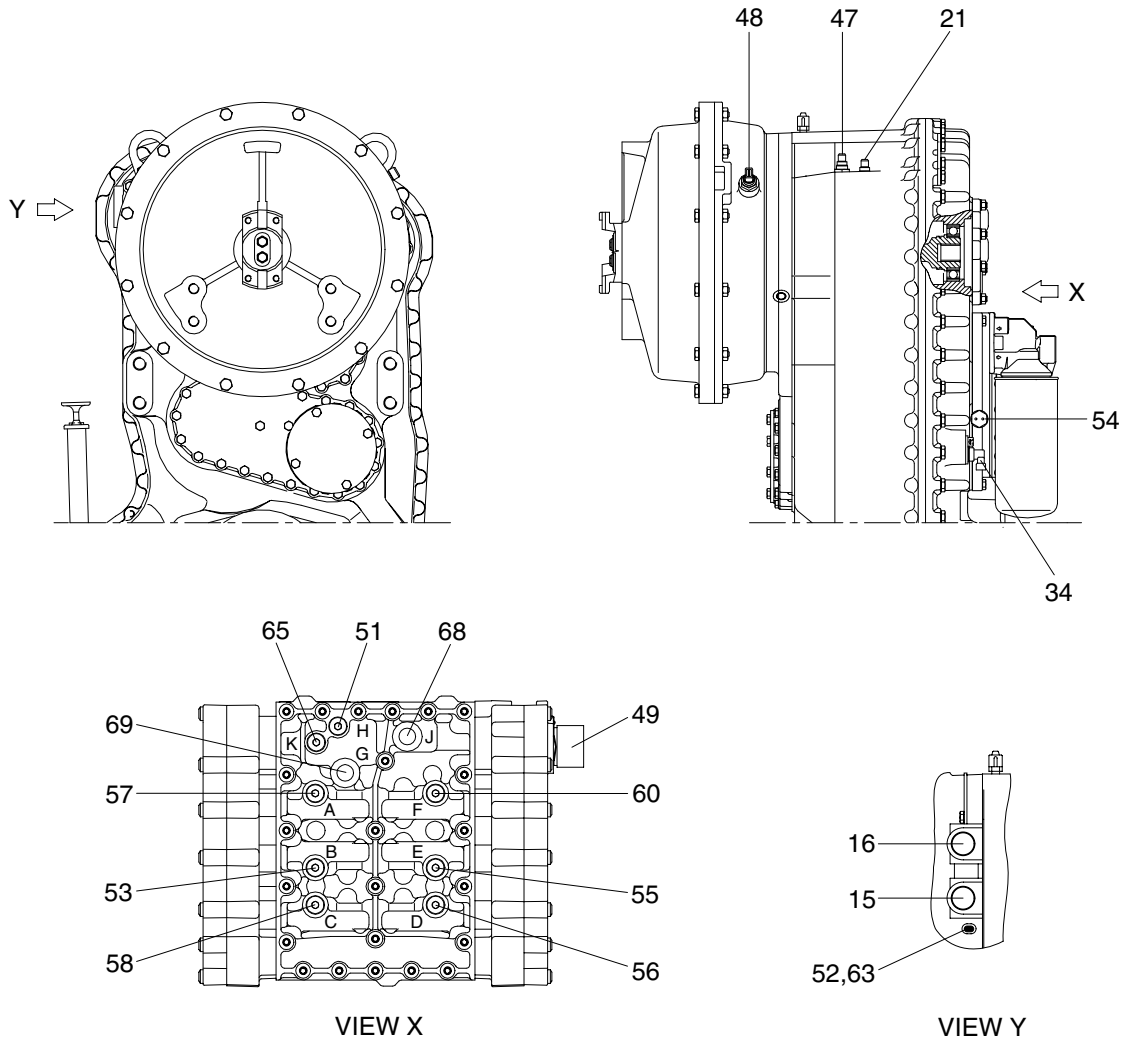


GROUP 3 TESTS AND ADJUSTMENTS

1. TRANSMISSION MEASURING POINTS AND CONNECTIONS

The measurements have to be carried out at hot transmission (about 80~95°C).



7407APT15

1) OIL PRESSURE AND TEMPERATURE

| Port | Description | | Size |
|------|--|---|---------|
| 51 | Converter inlet-opening pressure (11 bar) | H | M10×1 |
| 52 | Converter outlet-opening pressure (4.3 bar) | | M14×1.5 |
| 53 | Forward clutch (16+2 bar) | B | M10×1 |
| 55 | Reverse clutch (16+2 bar) | E | M10×1 |
| 56 | 1st clutch (16+2 bar) | D | M10×1 |
| 57 | 2nd clutch (16+2 bar) | A | M10×1 |
| 58 | 3rd clutch (16+2 bar) | C | M10×1 |
| 60 | 4th clutch (16+2 bar) | F | M10×1 |
| 63 | Converter outlet temperature 100°C, short-time 120°C | | M14×1.5 |
| 65 | System pressure (16+2 bar) | K | M10×1 |

2) DELIVERY RATES

| Port | Description | Size |
|------|--------------------------------|-------------------|
| 15 | Connection to the oil cooler | 1 5/16" -12UNF-2B |
| 16 | Connection from the oil cooler | 1 5/16" -12UNF-2B |

3) INDUCTIVE TRANSMITTER AND SPEED SENSOR

| Port | Description | Size |
|------|--|-----------|
| 21 | Inductive transmitter n turbine | M18 × 1.5 |
| 34 | Speed sensor n output and speedometer | - |
| 47 | Inductive transmitter n central gear train | M18 × 1.5 |
| 48 | Inductive transmitter n engine | M18 × 1.5 |
| 54 | Filter contamination switch | M14 × 1.5 |

4) CONNECTIONS

| Port | Description | Size |
|------|---|-----------|
| 49 | Plug connection on the hydraulic control unit | - |
| 68 | Pilot pressure (option) J | M16 × 1.5 |
| 69 | System pressure (option) G | M16 × 1.5 |