

GROUP 5 CONNECTORS

1. CONNECTOR DESTINATION

Connector number	Type	No. of pin	Destination	Connector part No.	
				Female	Male
CN-1	58	2	I/conn(Frame harness-Main harness)	S813-030200	S813-130200
CN-2	SWP	12	I/conn(Frame harness-Main harness)	S814-012000	S814-112000
CN-3	SWP	12	I/conn(Frame harness-Main harness)	S814-012000	S814-112000
CN-4	SWP	12	I/conn(Front harness-Engine harness)	S814-012000	S814-112000
CN-5	SWP	8	I/conn(Cab harness-Main harness)	S814-008000	S814-108000
CN-6	SWP	12	I/conn(Gauge harness-Main harness)	S814-012000	S814-112000
CN-7	SWP	14	I/conn(Gauge harness-Main harness)	S814-014000	S814-114000
CN-8	SWP	14	I/conn(Front harness-Main harness)	S814-014000	S814-114000
CN-10	SWP	8	I/conn(Front harness-Main harness)	S814-008000	S814-108000
CN-12	SWP	12	AC AVA assembly	S814-012000	-
CN-13	SWP	8	AC AVA assembly	S814-008202	-
CN-15	Circular	10	I/conn(Main harness-T/M harness)	6029199086	6029199085
CN-16	Circular	10	I/conn(Main harness-T/M harness)	6029199086	6029199085
CN-20	Molex	2	Horn	35215-0200	-
CN-21	HW090 Sealed	6	Front wiper motor	6189-0133	-
CN-22	SWP	2	Front washer tank	S814-002000	-
CN-23	Shur	1	Speaker(LH)	S822-014000	S822-114004
CN-24	Shur	1	Speaker(RH)	S822-014000	S822-114004
CN-25	Molex	2	Horn	35215-0200	-
CN-26	250	2	Warning buzzer	S810-002202	-
CN-27	PA	9	Cassette and radio	S811-009003	-
CN-28	56 series	2	Compressor(Air conditioner)	0297-3407	-
CN-29	Grommet	-	Receiver drier	21L7-12000	-
CN-30	PA	13	Air conditioner controller	S811-013002	-
CN-36	-	-	Fuse box	24L1-04100	-
CN-45	Ring term	-	Starter	S820-414000	S820-304000
CN-48	250	2	Hour meter	S810-002202	-
CN-58	Econoseal III	36	Check unit	344111-1	-
CN-60	58	2	Fusible link	-	S813-130200
CN-65	Shur	1	Back up buzzer	S822-014000	-
CN-71	J	2	Parking solenoid	S816-002001	-
CN-74	Ring term	-	Alternator	S820-406000	S820-104000
CN-79	Weather pack	3	Fuel cut off solenoid	S818-020311	-
CN-83	MWP	2	Air conditioner fan	PH805-02028	-
CN-100	J	3	Boom kick out	S816-003001	-
CN-101	J	3	Bucket leveler	S816-003001	-

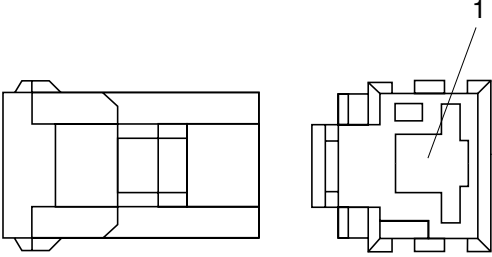
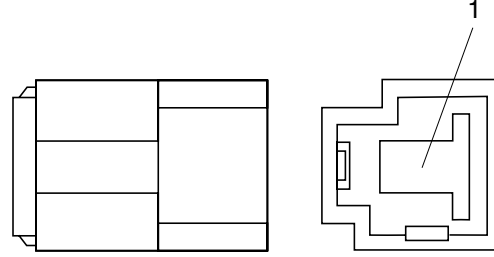
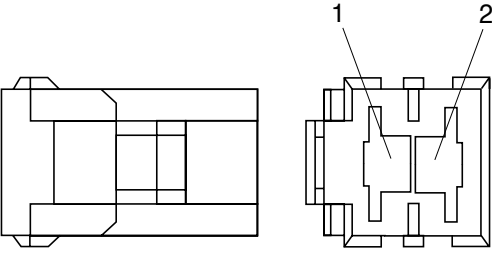
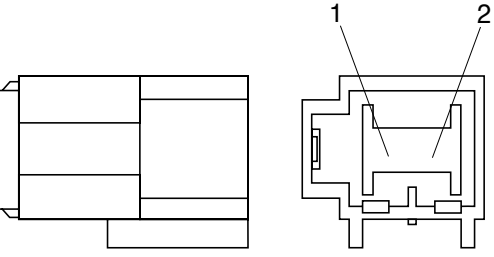
Connector number	Type	No. of pin	Destination	Connector part No.	
				Female	Male
CN-102	HW090 Sealed	6	Rear wiper motor	6189-0133	-
CN-103	SWP	2	Rear washer tank	S814-002000	-
CN-104	Ring term	1	Volt meter	S824-025213	-
CN-107	Ring term	1	Fuel gauge	S824-025213	-
CN-114	J	8	Joy stick	S816-008002	-
CN-117	Ring term	1	Water temp	S824-025213	-
CN-119	Ring term	1	Transmission temp	S824-025213	-
CN-127	-	8	Speed meter	-	1630070
CN-136	JPT	2	Ride control valve	85202-1	-
CN-137	JPT	2	Ride control solenoid	85202-1	-
Relay					
CR-1	Ring term	-	Battery relay	-	S820-104000
CR-2	250	4	Horn relay	S810-004202	-
CR-4	250	6	Wiper relay Hi	S810-006202	-
CR-5	250	4	Safety relay	S810-004202	-
CR-7	250	4	Air-con relay	S810-004202	-
CR-11	250	3	Flasher unit	S810-003702	-
CR-23	J	2	Start relay	S816-002003	-
CR-26	250	6	Wiper relay Lo	S810-006202	-
CR-30	250	4	Back up relay	S810-004202	-
CR-35	250	6	Ride control relay	S810-006202	-
CR-39	250	4	Display illumination	S810-004202	-
Switch					
CS-2	SWP	6	Start key switch	S814-006000	-
CS-3	SWF	10	Rear wiper switch	593757	-
CS-5	Shur	1	Horn switch	S822-014000	-
CS-11	SWP	8	Multi function switch	S814-008000	-
CS-12	SWP	6	Multi function switch	S814-006000	-
CS-17	SWF	10	Parking switch	593757	-
CS-20	SWF	10	Rear work lamp switch	593757	-
CS-21	SWF	10	Front work lamp switch	593757	-
CS-23	SWF	10	Beacon switch	593757	-
CS-34	SWF	10	Buzzer stop switch	593757	-
CS-39	SWF	10	Illumination and head lamp switch	593757	-
CS-41	SWF	10	Hazard switch	593757	-
CS-42	SWF	10	Clutch cut off switch	593757	-
CS-50	SWF	10	Ride control	593757	-
CS-51	SWF	10	Full automatic switch	593757	-

Connector number	Type	No. of pin	Destination	Connector part No.	
				Female	Male
CS-52	SWF	10	Attachment lock switch	593757	-
CS-53	SWF	10	Attachment unlock switch	593757	-
CS-54	SWF	10	Air conditioner switch	593757	-
CS-55	SWF	10	Pump motor	593757	-
CS-58	250	6	Blower switch	S810-006202	-
Light					
CL-1	-	2	Room lamp	MG610392	-
CL-2	250	3	Cigar lighter	S810-003202	-
CL-3	SWP	4	Head light(LH)	S814-004000	-
CL-4	SWP	4	Head light(RH)	S814-004000	-
CL-5	SWP	2	Work light(LH)	S814-002000	-
CL-6	SWP	2	Work light(RH)	S814-002000	-
CL-7	250	1	Beacon lamp	S810-001202	-
CL-15	SWP	4	Combi lamp(RR, LH)	S814-004000	-
CL-16	SWP	4	Combi lamp(RR, RH)	S814-004000	-
CL-21	SWP	2	Numberplate lamp	S814-002000	-
CL-22	SWP	2	Work light(LH)	S814-002000	-
CL-23	SWP	2	Work light(RH)	S814-002000	-
CL-24	SWP	2	Turn lamp(LH)	S814-002000	-
CL-25	SWP	2	Turn lamp(RH)	S814-002000	-
CL-41	SWF	2	Hi beam lamp(Dash board)	913328	-
CL-42	SWF	2	Turn lamp(LH, Dash board)	913328	-
CL-43	SWF	2	Turn lamp(RH, Dash board)	913328	-
CL-44	SWF	2	Parking lamp(Dash board)	913328	-
CL-45	SWF	2	Brake fail lamp(Dash board)	913328	-
CL-46	SWF	2	Charge lamp(Dash board)	913328	-
CL-47	SWF	2	Hydraulic oil lamp(Dash board)	913328	-
CL-48	SWF	2	Over heat lamp(Dash board)	913328	-
CL-49	SWF	2	Engine oil lamp(Dash board)	913328	-
CL-50	SWF	2	Transmission error	913328	-
CL-51	SWF	2	Transmission oil lamp(Dash board)	913328	-
CL-53	SWF	2	Steering pressure lamp	913328	-
CL-54	SWF	2	Steering pump pressure lamp	913328	-

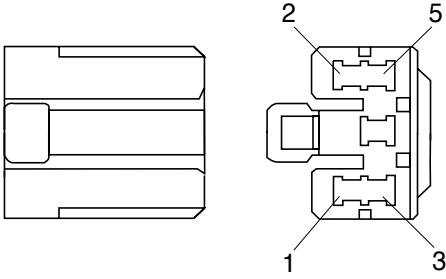
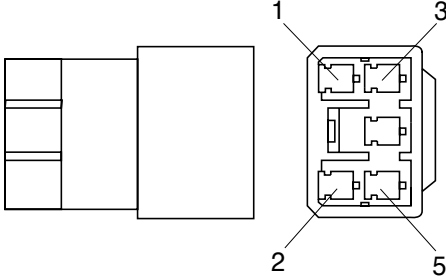
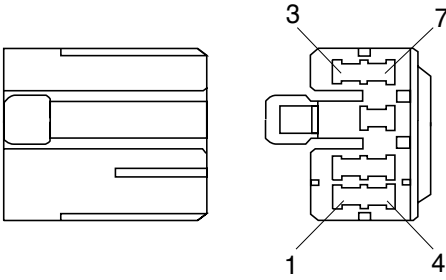
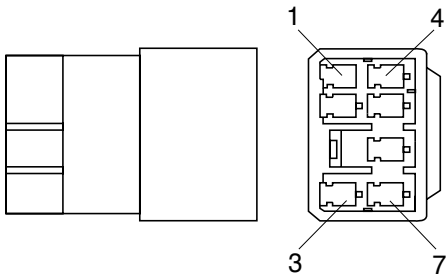
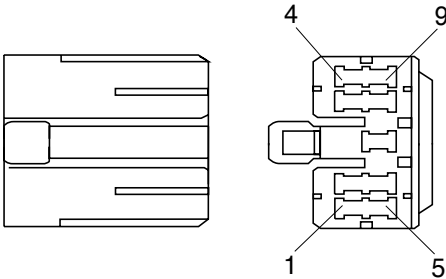
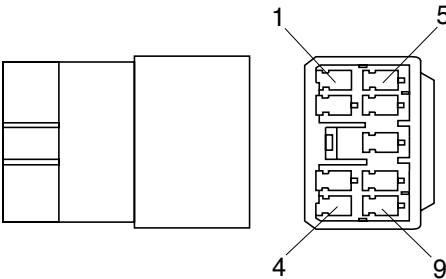
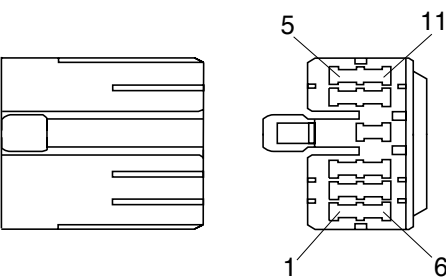
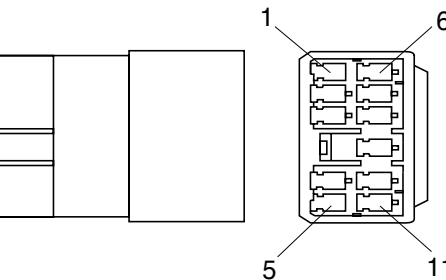
Connector number	Type	No. of pin	Destination	Connector part No.	
				Female	Male
Sensor, sender					
CD-1	PLC(Mark II)	1	Hydraulic oil temp switch	S819-010122	-
CD-2	SWP	2	Fuel sender	S814-002000	-
CD-3	Rubber cap	-	Brake fail pressure switch	21EA-00310	-
CD-4	Rubber cap	-	Stop lamp pressure switch	21EA-00310	-
CD-5	Rubber cap	-	Clutch cut off pressure switch	21EA-00310	-
CD-8	Ring term	-	Water temp sender	-	S820-104000
CD-9	Dust cap	1	Over heat switch	101-701506A	-
CD-18	Ring term	-	Engine oil pressure switch	-	S820-406000
CD-25	Rubber cap	-	Transmission oil pressure switch	21EA-00310	-
CD-26	Rubber cap	-	Parking oil pressure switch	21EA-00310	-
CD-29	Ring term	-	Transmission temp sender	-	S821-105000
CD-39	PLC(Mark II)	2	Steering pressure switch	S819-010122	-
CD-40	PLC(Mark II)	2	Steering pump pressure switch	S819-010122	-

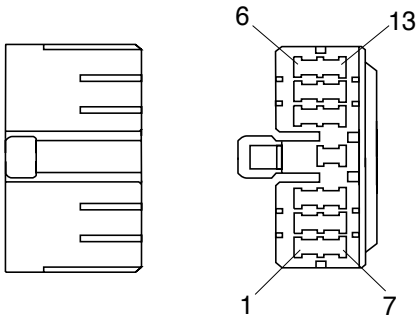
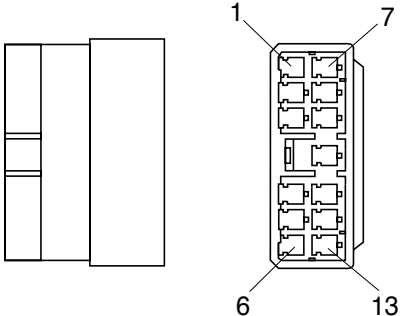
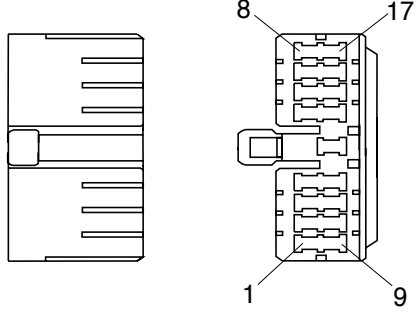
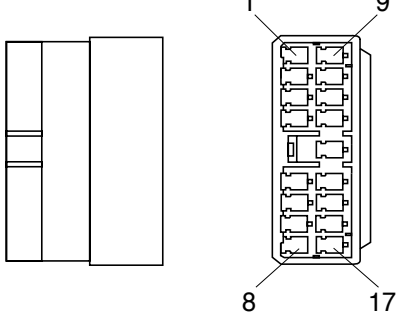
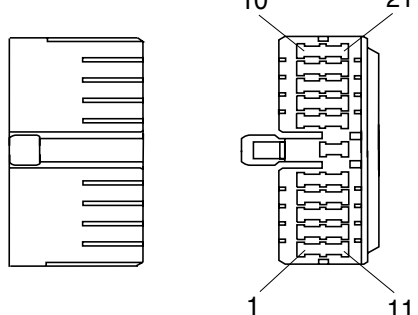
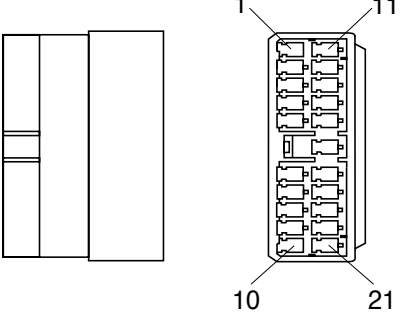
2. CONNECTION TABLE FOR CONNECTORS

1) 58-L TYPE CONNECTOR

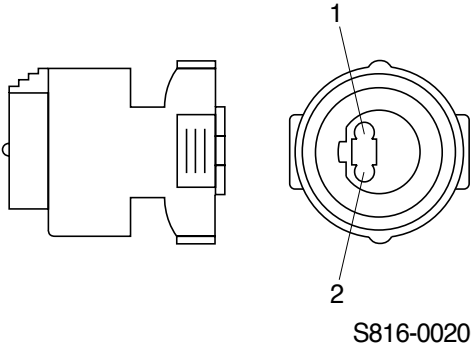
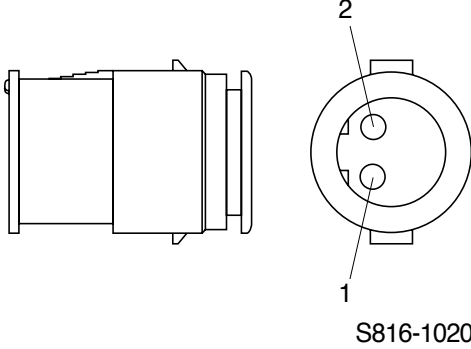
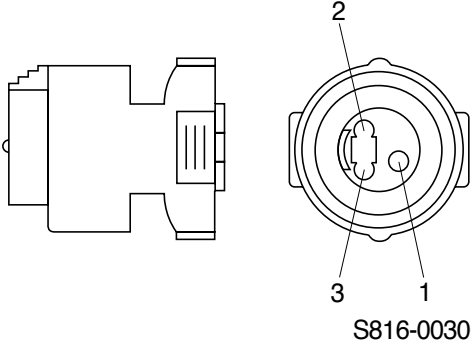
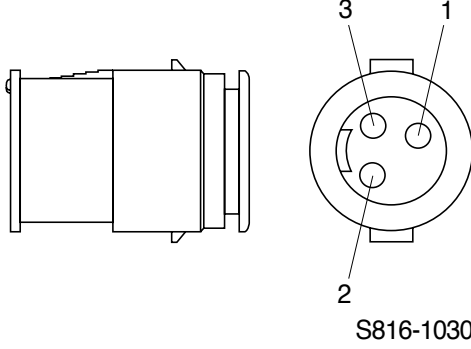
No. of pin	Receptacle connector(Female)	Plug connector(Male)
1	 <p style="text-align: center;">S813-030100</p>	 <p style="text-align: center;">S813-130100</p>
2	 <p style="text-align: center;">S813-030200</p>	 <p style="text-align: center;">S813-130200</p>

2) PA TYPE CONNECTOR

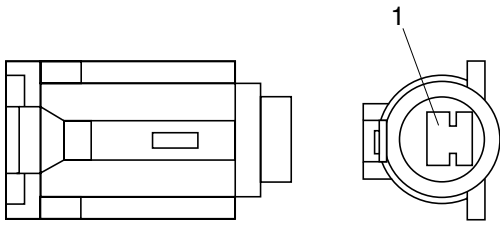
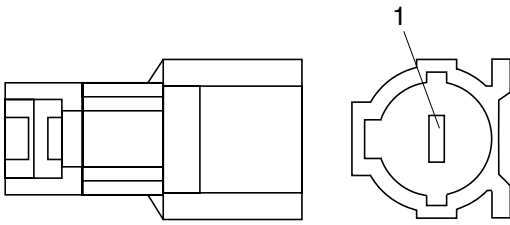
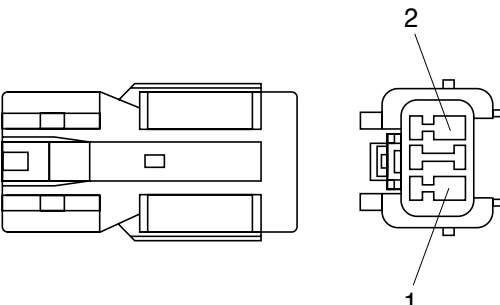
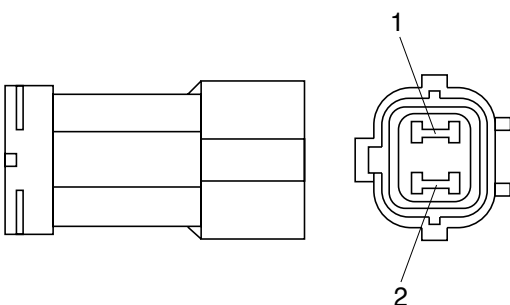
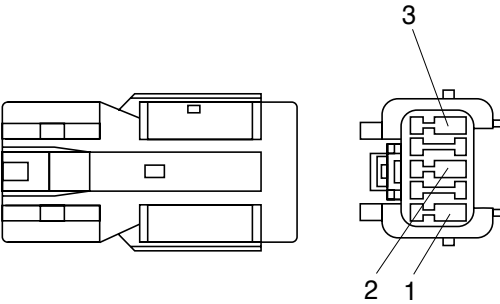
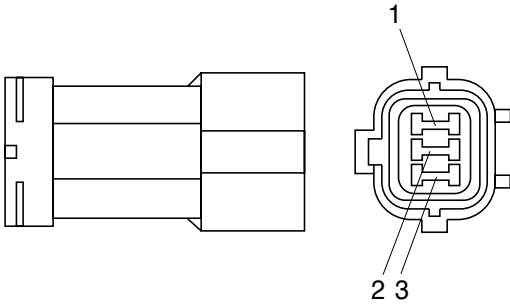
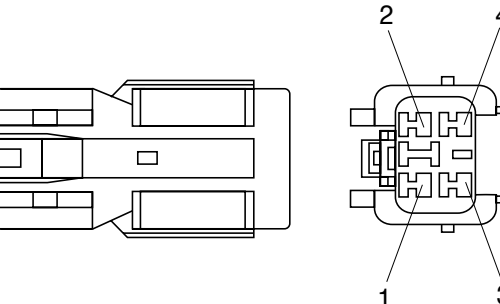
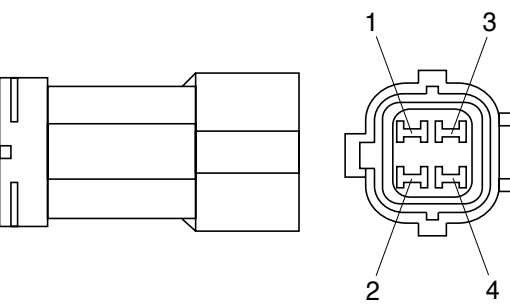
No. of pin	Receptacle connector(Female)	Plug connector(Male)
5	 <p data-bbox="687 678 836 707">S811-005002</p>	 <p data-bbox="1241 678 1390 707">S811-105002</p>
7	 <p data-bbox="687 1084 836 1113">S811-007002</p>	 <p data-bbox="1241 1084 1390 1113">S811-107002</p>
9	 <p data-bbox="687 1489 836 1518">S811-009002</p>	 <p data-bbox="1241 1489 1390 1518">S811-109002</p>
11	 <p data-bbox="687 1895 836 1924">S811-011002</p>	 <p data-bbox="1241 1895 1390 1924">S811-111002</p>

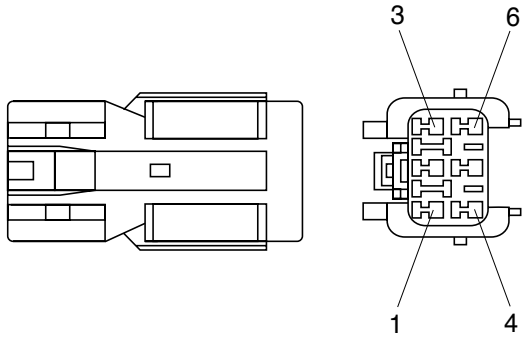
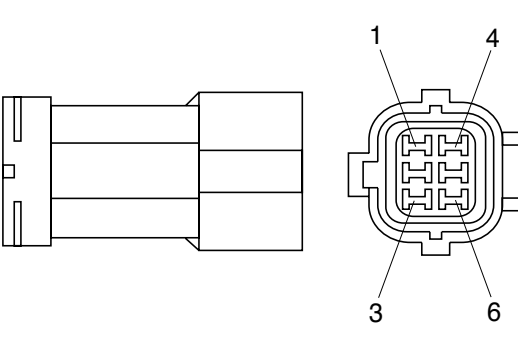
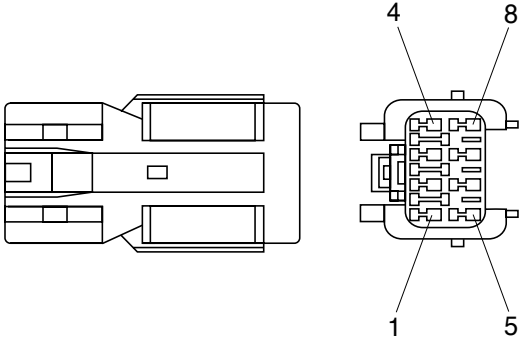
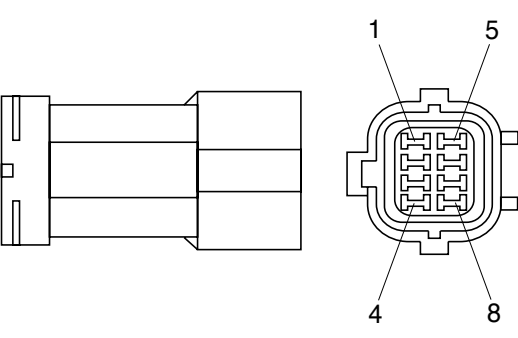
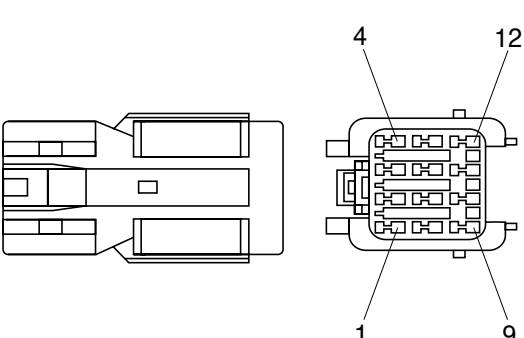
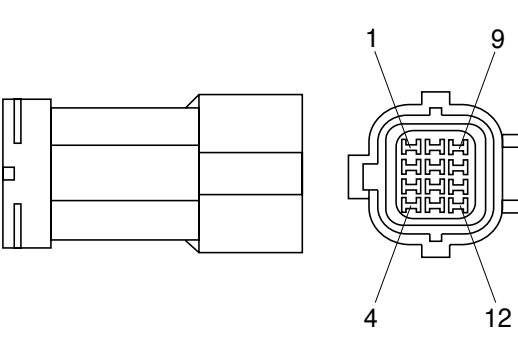
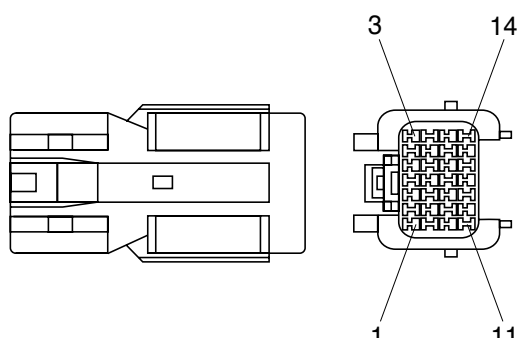
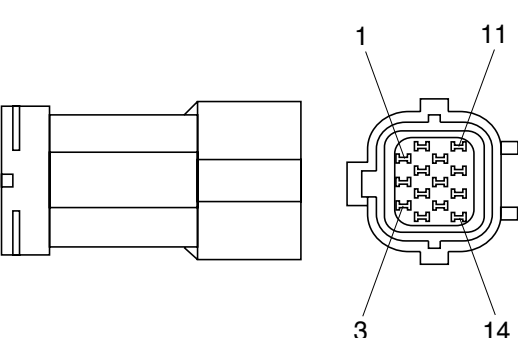
No. of pin	Receptacle connector(Female)	Plug connector(Male)
13	 <p data-bbox="689 631 837 660">S811-013002</p>	 <p data-bbox="1248 631 1396 660">S811-113002</p>
17	 <p data-bbox="689 1041 837 1070">S811-017002</p>	 <p data-bbox="1248 1041 1396 1070">S811-117002</p>
21	 <p data-bbox="689 1444 837 1473">S811-021002</p>	 <p data-bbox="1248 1444 1396 1473">S811-121002</p>

3) J TYPE CONNECTOR

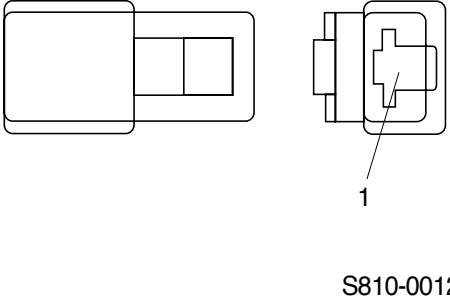
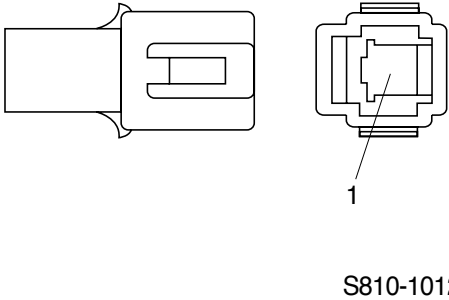
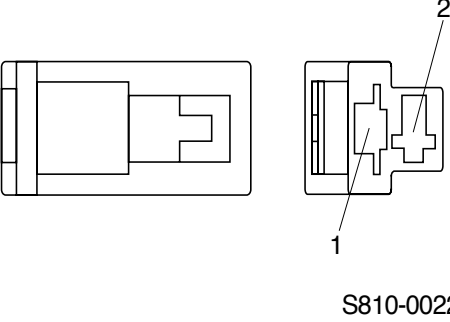
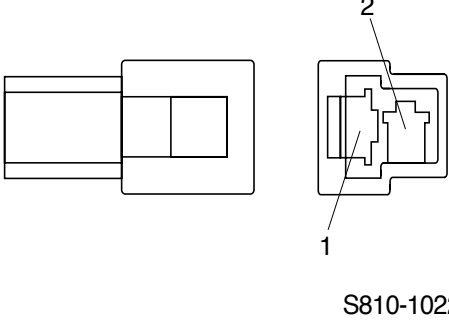
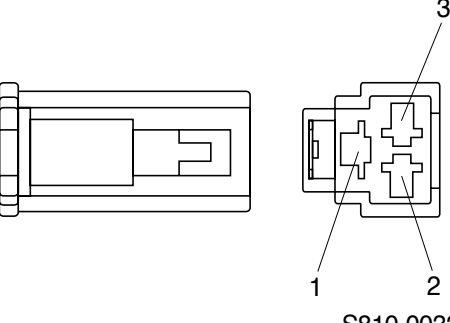
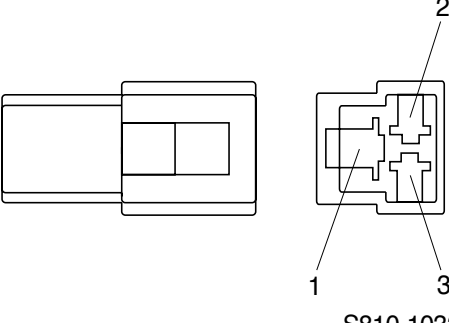
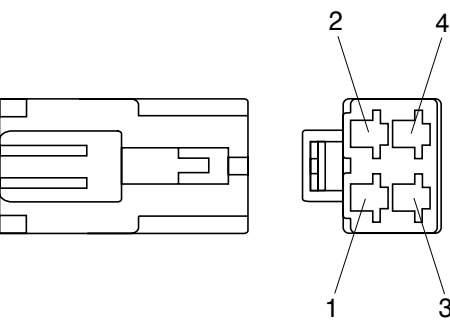
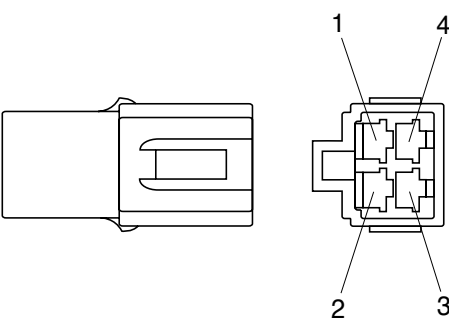
No. of pin	Receptacle connector(Female)	Plug connector(Male)
2	 <p style="text-align: center;">S816-002001</p>	 <p style="text-align: center;">S816-102001</p>
3	 <p style="text-align: center;">S816-003001</p>	 <p style="text-align: center;">S816-103001</p>

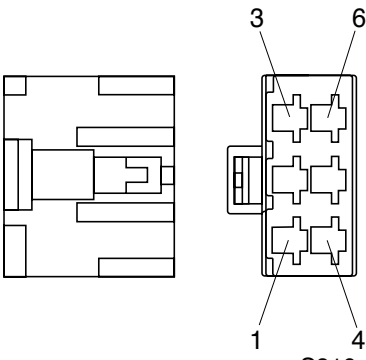
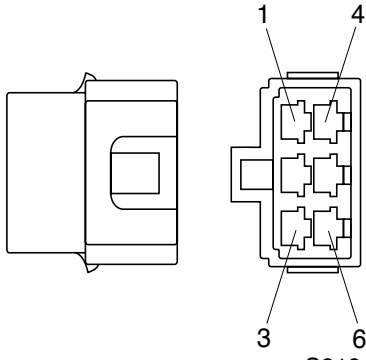
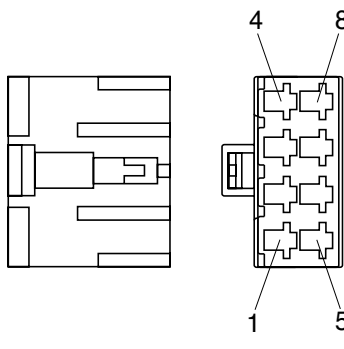
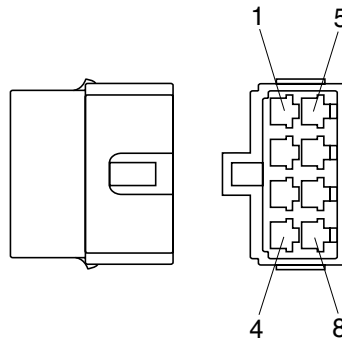
4) SWP TYPE CONNECTOR

No. of pin	Receptacle connector(Female)	Plug connector(Male)
1	 <p data-bbox="686 672 837 705">S814-001000</p>	 <p data-bbox="1236 672 1388 705">S814-101000</p>
2	 <p data-bbox="686 1075 837 1108">S814-002000</p>	 <p data-bbox="1236 1075 1388 1108">S814-102000</p>
3	 <p data-bbox="686 1489 837 1523">S814-003000</p>	 <p data-bbox="1236 1489 1388 1523">S814-103000</p>
4	 <p data-bbox="686 1892 837 1926">S814-004000</p>	 <p data-bbox="1236 1892 1388 1926">S814-104000</p>

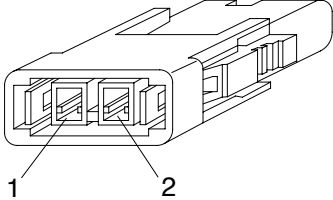
No. of pin	Receptacle connector(Female)	Plug connector(Male)
6	 <p data-bbox="686 627 837 660">S814-006000</p>	 <p data-bbox="1244 627 1396 660">S814-106000</p>
8	 <p data-bbox="686 1030 837 1064">S814-008000</p>	 <p data-bbox="1244 1030 1396 1064">S814-108000</p>
12	 <p data-bbox="686 1433 837 1467">S814-012000</p>	 <p data-bbox="1244 1433 1396 1467">S814-112000</p>
14	 <p data-bbox="686 1836 837 1870">S814-014000</p>	 <p data-bbox="1244 1836 1396 1870">S814-114000</p>

5) CN TYPE CONNECTOR

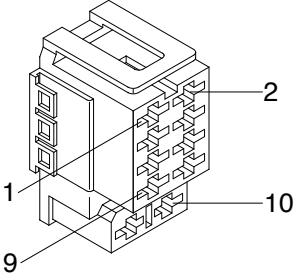
No. of pin	Receptacle connector(Female)	Plug connector(Male)
1	 <p style="text-align: center;">S810-001202</p>	 <p style="text-align: center;">S810-101202</p>
2	 <p style="text-align: center;">S810-002202</p>	 <p style="text-align: center;">S810-102202</p>
3	 <p style="text-align: center;">S810-003202</p>	 <p style="text-align: center;">S810-103202</p>
4	 <p style="text-align: center;">S810-004202</p>	 <p style="text-align: center;">S810-104202</p>

No. of pin	Receptacle connector(Female)	Plug connector(Male)
6	 <p data-bbox="686 627 837 660">S810-006202</p>	 <p data-bbox="1236 627 1388 660">S810-106202</p>
8	 <p data-bbox="686 1030 837 1064">S810-008202</p>	 <p data-bbox="1236 1030 1388 1064">S810-108202</p>

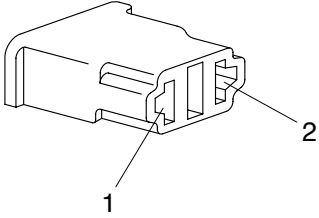
6) MOLEX 2CKTS CONNECTOR

No. of pin	Receptacle connector(Female)	Plug connector(Male)
2	 <p data-bbox="703 678 836 705">35215-0200</p>	

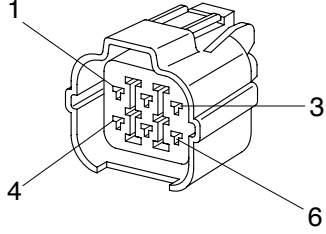
7) ITT SWF CONNECTOR

No. of pin	Receptacle connector(Female)	Plug connector(Male)
10	 <p data-bbox="699 1279 831 1305">SWF593757</p>	

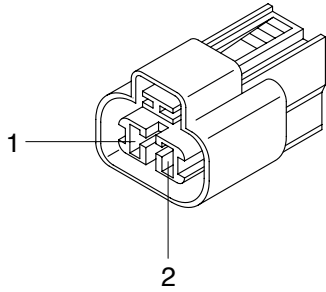
8) SWF CONNECTOR

No. of pin	Receptacle connector(Female)	Plug connector(Male)
2	 <p data-bbox="699 1883 831 1910">SWF913328</p>	

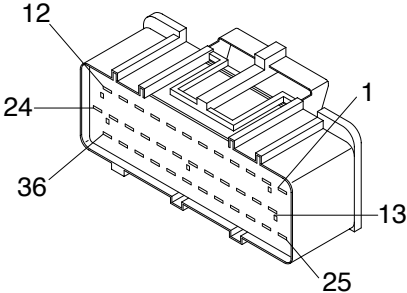
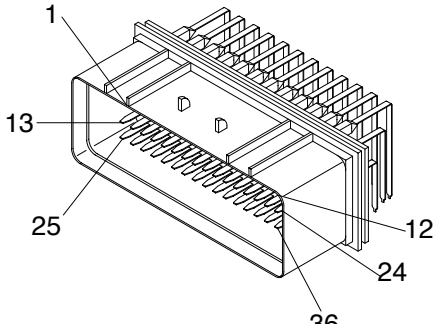
9) HW090 SEALED CONNECTOR

No. of pin	Receptacle connector(Female)	Plug connector(Male)
6	 <p data-bbox="715 676 837 707">6189-0133</p>	

10) MWP02F-B CONNECTOR

No. of pin	Receptacle connector(Female)	Plug connector(Male)
2	 <p data-bbox="683 1281 837 1312">PH805-02028</p>	

11) AMP ECONOSEAL CONNECTOR

No. of pin	Receptacle connector(Female)	Plug connector(Male)
36	 <p data-bbox="730 1886 837 1917">344111-1</p>	 <p data-bbox="1289 1886 1396 1917">344108-1</p>