

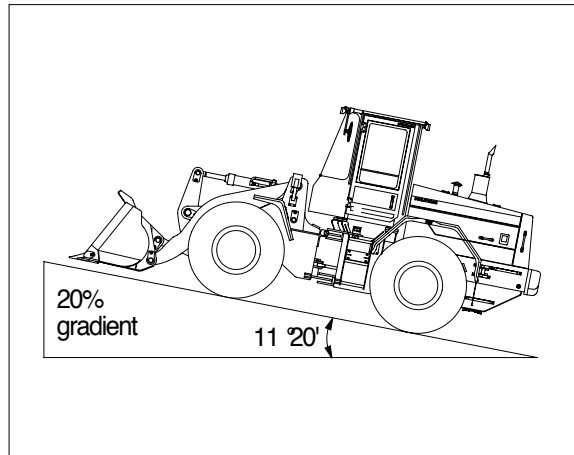
## GROUP 3 TESTS AND ADJUSTMENTS

### 1. PARKING BRAKE PERFORMANCE

#### 1) MEASUREMENT CONDITION

- (1) Tire inflation pressure : Specified pressure
- (2) Road surface : Flat, dry, paved surface with 1/5(11 20') gradient.
- (3) Machine : In operating condition

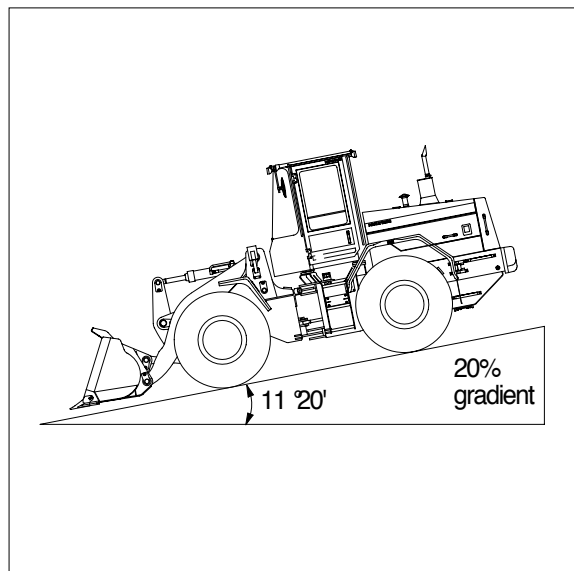
Item	Standard value
Parking brake performance	Keep machine on 20% (11 20') gradient



#### 2) MEASURING PROCEDURE

- (1) Start the engine and drive the machine straight up a 1/5 gradient with the bucket unloaded.
- (2) Depress the service brake, place the gear selector lever in neutral, then stop the engine.
- (3) Turn the parking brake switch ON, then slowly release the service brake pedal and the machine must be kept stopped.

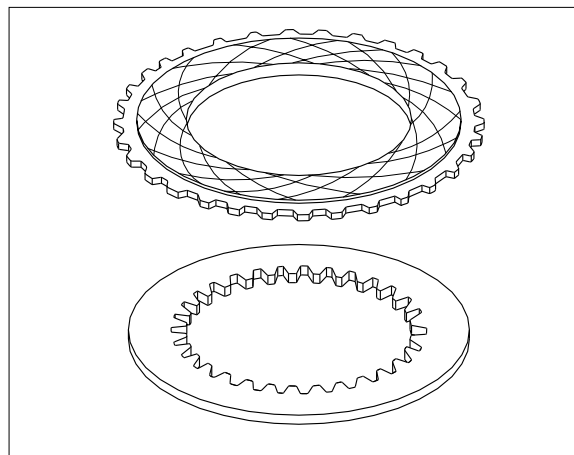
**The measurement must be made with the machine facing either up or down the slope.**



### 2. EXTERNAL BRAKE INSPECTION

Remove axle housing and inspect for wear of brake disks.

Replace brake disks if oil grooves of facing material are no longer visible.



### 3. HYDRAULIC BRAKE BLEEDING PROCEDURE

**▲Escaping fluid under pressure can penetrate the skin causing serious injury. Avoid the hazard by relieving pressure before disconnecting hydraulic or other lines. Tighten all connections before applying pressure.**

**Search for leaks with a piece of cardboard. Protect hands and body from high pressure fluids.**

**If an accident occurs, see a doctor immediately. Any fluid injected into the skin must be surgically removed within a few hours or gangrene may result.**

**Doctors unfamiliar with this type of injury should reference a knowledgeable medical source.**

**Two people are required to bleed brake system oil, one to operate brake valve and other to open and close bleed screws.**

- 1) Install frame locking bar. Engage parking brake.
- 2) Put a clear plastic tube on bleed screw(B) to route low to hydraulic reservoir filler tube or container(A).
- 3) Start engine and run at low idle.
- 4) Push and hold brake pedal down until brake bleeding procedure is complete.  
**If bubbles continue for more than 2 minutes, stop bleeding procedure. Check for and correct problem, then continue.**
- 5) Open on bleed screw on differential and axle assembly until hydraulic oil starts to flow. Close bleed screw when oil is free of air. Release brake pedal.
- 6) Repeat steps 1) ~ 5) for each bleed screw.
- 7) Push either brake pedal and hold down.
- 8) Check hydraulic oil level.

