

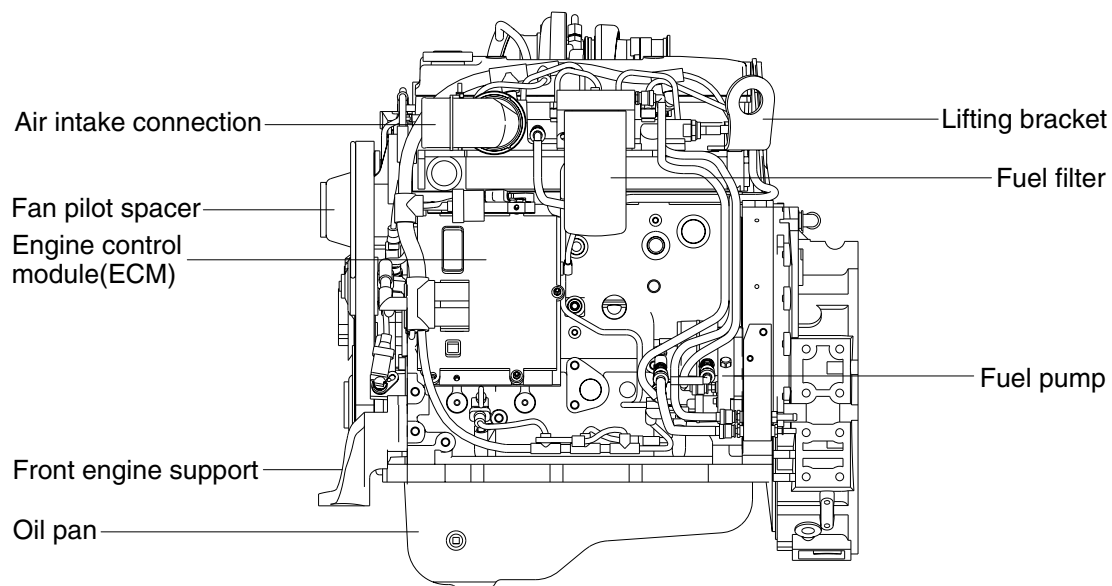
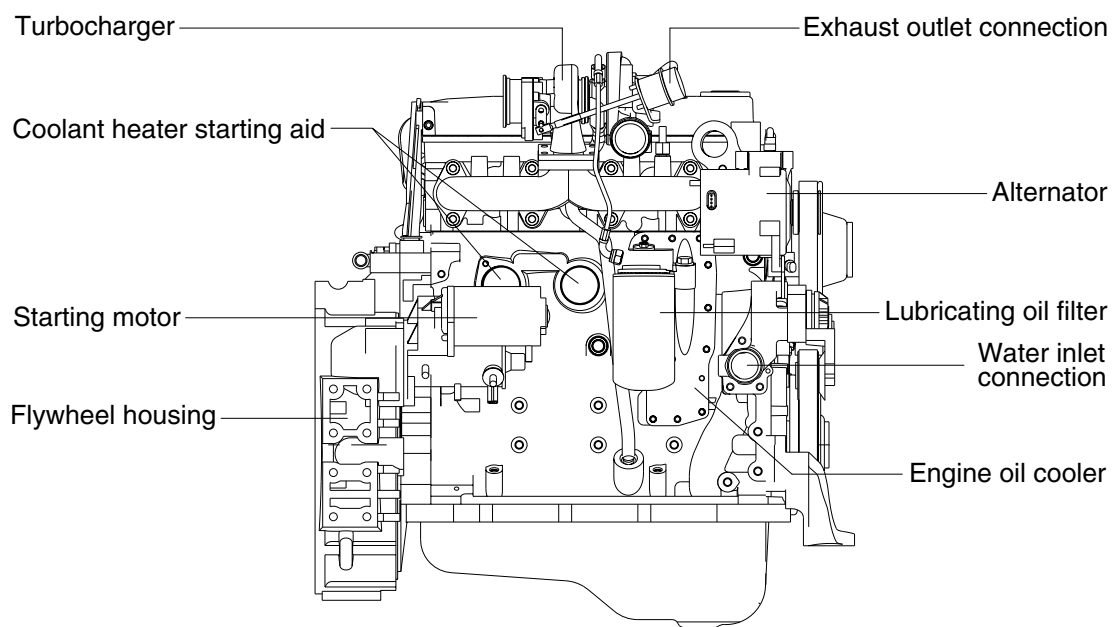
## SECTION 2 ENGINE

Group 1 Structure and Function .....	2-1
Group 2 Engine speed and Stall rpm .....	2-7
Group 3 Fuel warmer system .....	2-8

# SECTION 2 ENGINE

## GROUP 1 STRUCTURE AND FUNCTION

### 1. STRUCTURE



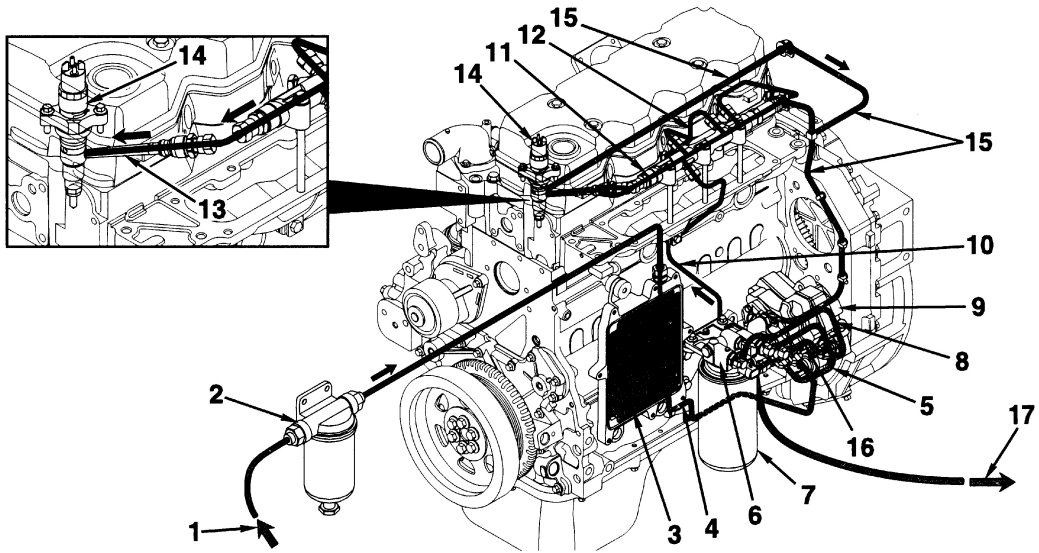
7307AEG01

- Direct 4-stroke, 4-cylinders, water-cooling and charge air cooled diesel engine in installed, cylinder block and cylinder head are made of case iron and turbocharger is attached.

## 2. SYSTEM DIAGRAMS

The following drawings show the flow through the engine systems.

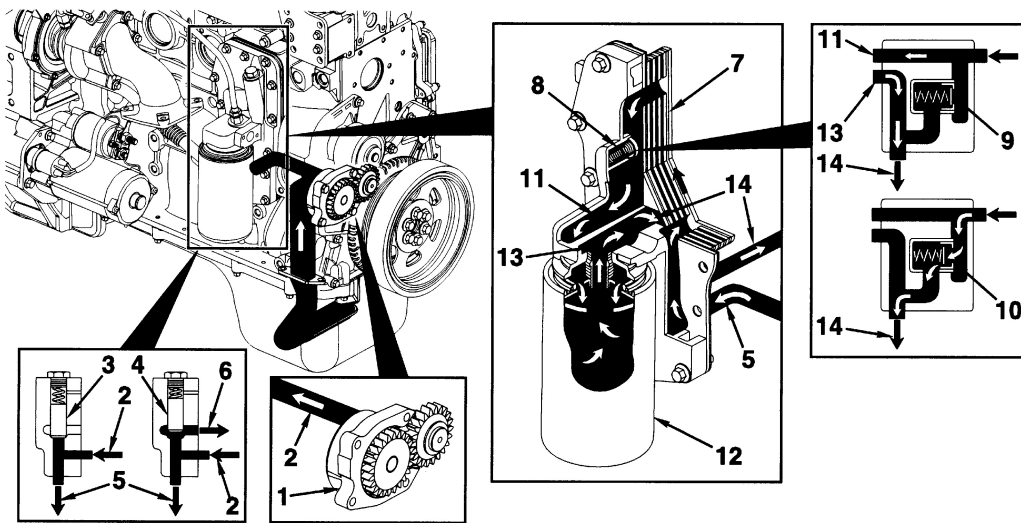
### 1) FUEL SYSTEM



7607AEG02

- |    |  |    |  |
|----|--|----|--|
| 1  | From fuel tank                               | 11 | Fuel rail  |
| 2  | Water/fuel separator (not mounted on engine) | 12 | To injectors   |
| 3  | ECM cooling plate                            | 13 | High-pressure connector                                      |
| 4  | To fuel gear pump                            | 14 | Injector   |
| 5  | To fuel filter                               | 15 | Fuel return from injectors and fuel rail to fuel filter head |
| 6  | Fuel filter head                             | 16 | Fuel return from high-pressure pump to fuel filter head      |
| 7  | Fuel filter                                  | 17 | To fuel tank   |
| 8  | To high-pressure pump                        |    |  |
| 9  | High-pressure pump                           |    |  |
| 10 | To fuel rail                                 |    |  |

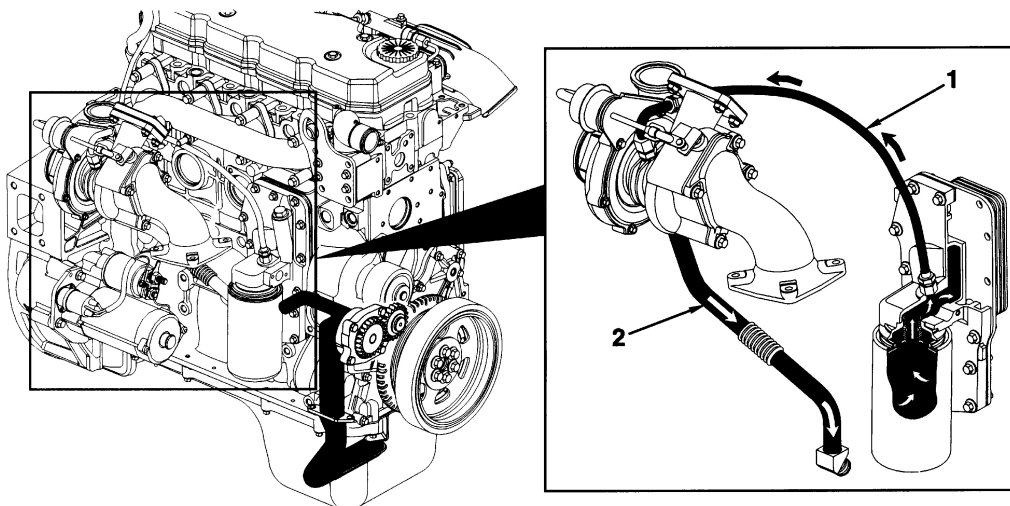
## 2) LUBRICATING OIL SYSTEM



7607AEG03

- |                                    |                                     |
|------------------------------------|-------------------------------------|
| 1 Gerotor lubricating oil pump     | 8 Filter bypass valve               |
| 2 From lubricating oil pump        | 9 Filter bypass valve closed        |
| 3 Pressure regulating valve closed | 10 Filter bypass valve open         |
| 4 Pressure regulating valve open   | 11 To lubricating oil filter        |
| 5 To lubricating oil cooler        | 12 Full-flow lubricating oil filter |
| 6 To lubricating oil pump supply   | 13 From lubricating oil filter      |
| 7 Lubricating oil cooler           | 14 Main lubricating oil rifle       |

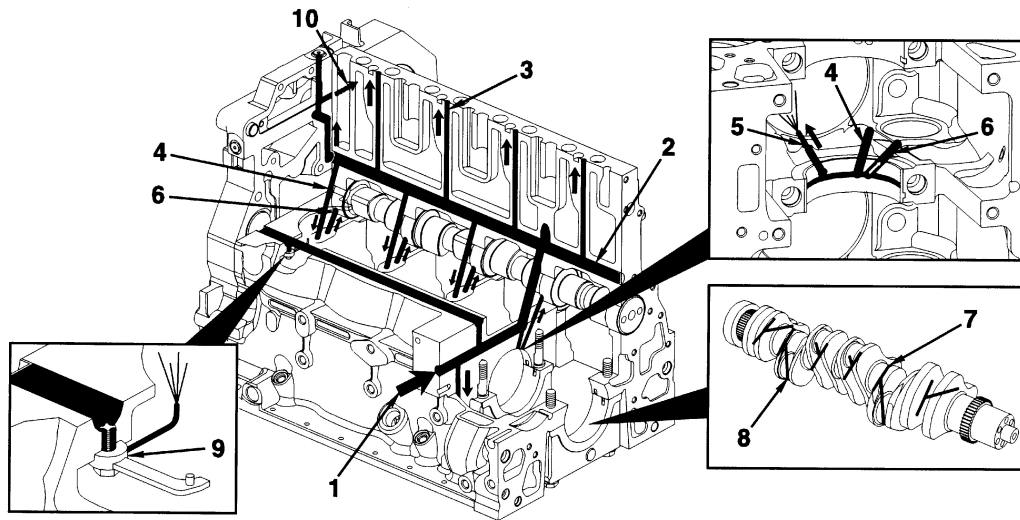
### (1) Lubrication for the turbocharger



7607AEG04

- |                                       |                                      |
|---------------------------------------|--------------------------------------|
| 1 Turbocharger lubricating oil supply | 2 Turbocharger lubricating oil drain |
|---------------------------------------|--------------------------------------|

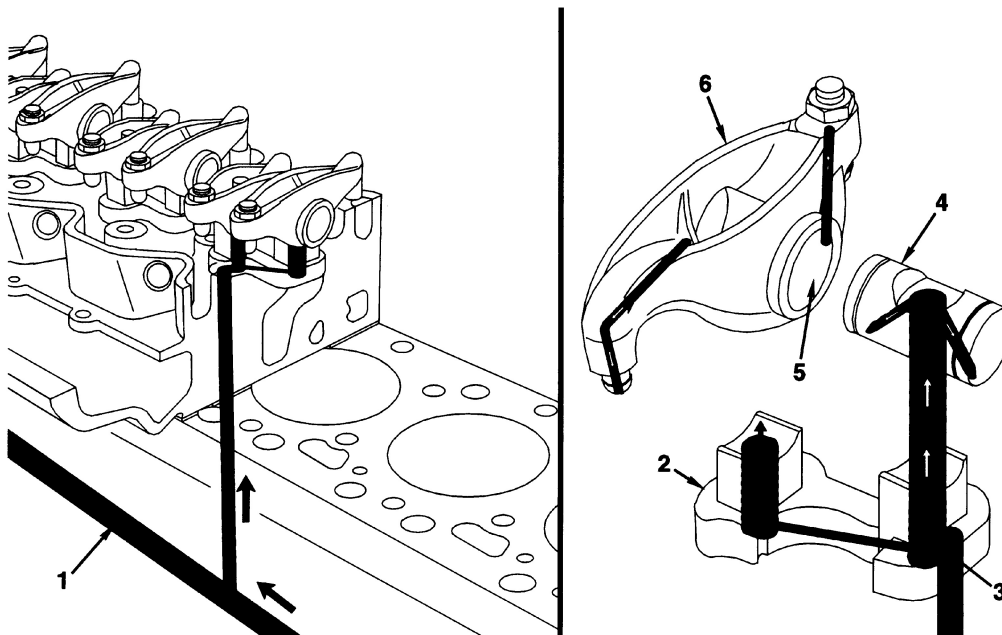
**(2) Lubrication for the power components**



7607AEG05

- |   |                                 |    |   |
|---|---------------------------------|----|---|
| 1 | From lubricating oil cooler     | 6  | To camshaft                               |
| 2 | Main lubricating oil rifle      | 7  | Crankshaft main journal                   |
| 3 | To valve train                  | 8  | Oil supply to rod bearings                |
| 4 | From main lubricating oil rifle | 9  | Directed piston-cooling nozzle            |
| 5 | To piston-cooling nozzle        | 10 | To internal lubrication of air compressor |

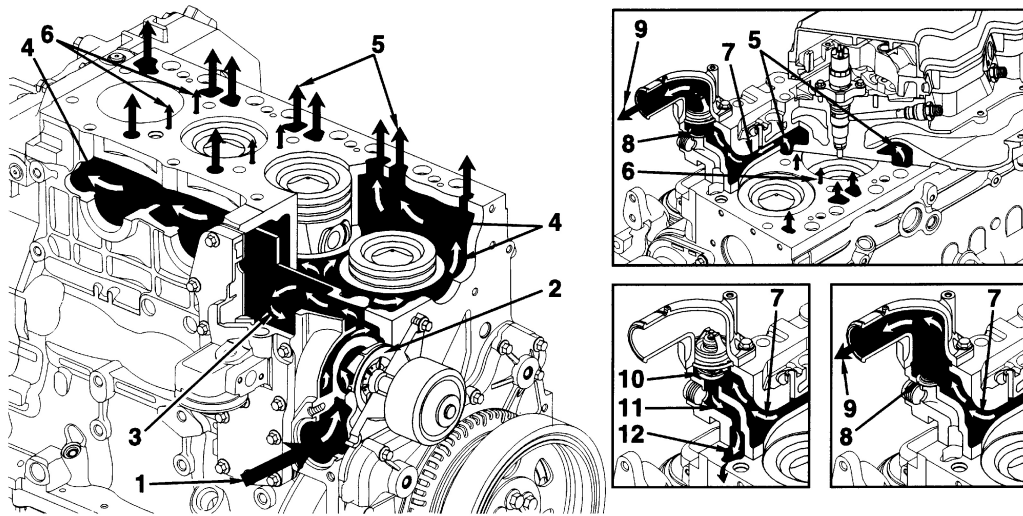
**(3) Lubrication for the overhead**



7607AEG06

- |   |                            |   |                    |
|---|----------------------------|---|--------------------|
| 1 | Main lubricating oil rifle | 4 | Rocker lever shaft |
| 2 | Rocker lever support       | 5 | Rocker lever bore  |
| 3 | Transfer slot              | 6 | Rocker lever       |

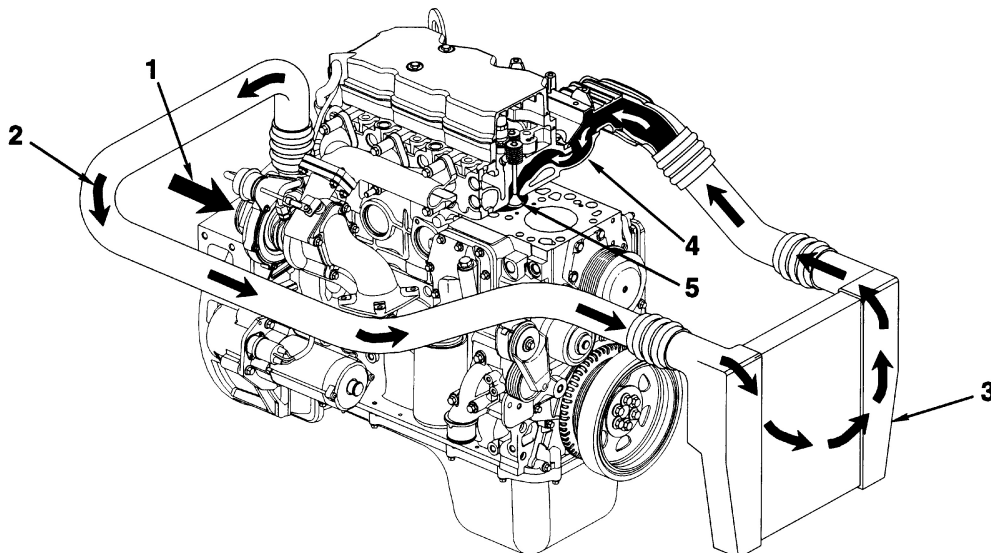
### 3) COOLING SYSTEM



7607AEG07

- |   |   |    |                                    |
|---|---|----|------------------------------------|
| 1 | Coolant inlet                                     | 7  | Coolant flow to thermostat housing |
| 2 | Pump Impeller                                     | 8  | Coolant bypass passage             |
| 3 | Coolant flow past lubricating oil cooler          | 9  | Coolant flow back to radiator      |
| 4 | Coolant flow past cylinders                       | 10 | Bypass closed                      |
| 5 | Coolant flow from cylinder block to cylinder head | 11 | Coolant bypass in cylinder head    |
| 6 | Coolant flow between cylinders                    | 12 | Coolant flow to water pump inlet   |

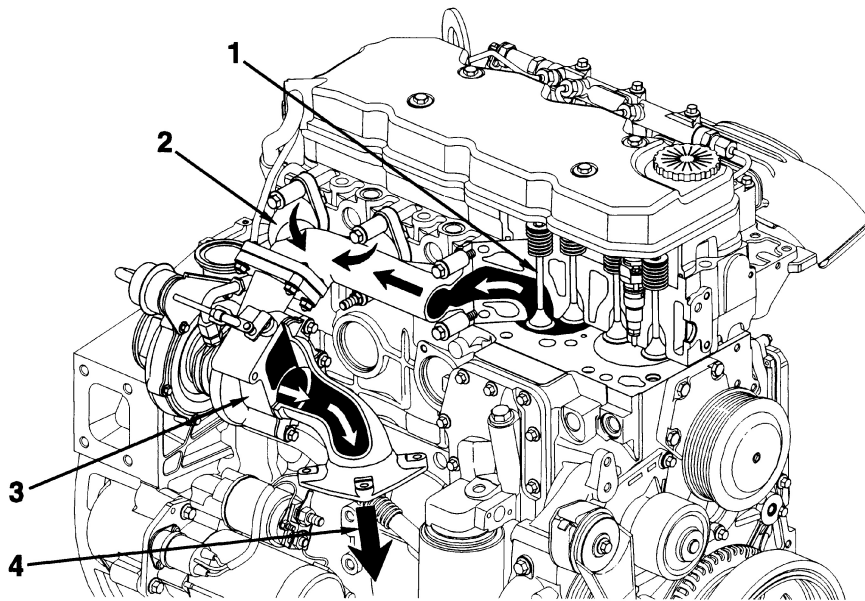
### 4) AIR INTAKE SYSTEM



7607AEG08

- |   |                                       |   |   |
|---|---------------------------------------|---|---|
| 1 | Intake air inlet to turbocharger      | 4 | Intake manifold<br>(Integral part of cylinder head) |
| 2 | Turbocharger air to charge air cooler | 5 | Intake valve  |
| 3 | Charge air cooler                     |   |   |

## 5) EXHAUST SYSTEM



7607AEG09

- |   |                  |   |                             |
|---|------------------|---|-----------------------------|
| 1 | Exhaust valve    | 3 | Turbocharger                |
| 2 | Exhaust manifold | 4 | Turbocharger exhaust outlet |